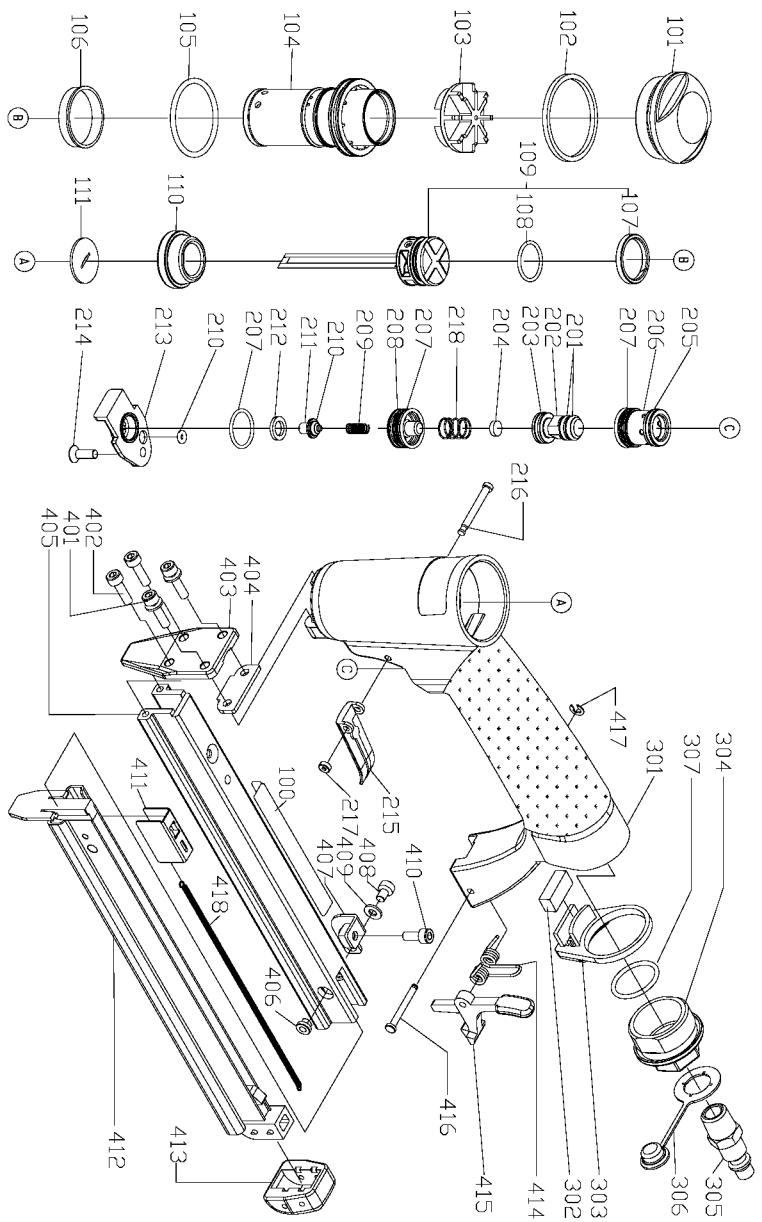


PORTER-CABLE UPHOLSTERY STAPLER

WARNING: Repairs should only be attempted by trained repairmen. Contact the nearest Porter-Cable Service Center or other competent repair center.

US58



Parts List for US58 Type 1

Item Number	Part Number	Description	Qty Required
100	890854	LABEL-WARNING	1
101	892267	CAP	1
102	892268	SEAL	1
103	892269	CYLINDER PRESS RING	1
104	892270	CYLINDER	1
105	892271	O-RING	1
106	892273	CYLINDER RING	1
107	892275	PISTON RING	1
108	892276	O-RING	1
109	60057	DVR KIT US58	1
109	901937	DRIVER	1
110	892278	BUMPER	1
111	892279	DRIVER GUIDE	1
201	892280	O-RING	1
202	893814	VALVE PLUNGER	1
203	892282	O-RING	1
204	892283	PLUNGER STOP	1
205	892284	O-RING	1
206	893815	VALVE BODY	1
207	905106	O-RING (15 X 1.5)	1
208	892287	PLUNGER CAP	1
209	888890	SPRING	1
210	892288	O-RING	1
211	892289	PLUNGER	1
212	892290	COLLAR	1
213	A08292	COVER- TRIGGER VALVE	1
214	884001	BOLT	10

COPYRIGHT© 2005. All Rights Reserved.

Parts list, pricing, and availability subject to change. Please visit www.dewaltservicenet.com for current parts information.

Parts List for US58 Type 1

Item Number	Part Number	Description	Qty Required
215	897872	TRIGGER	1
216	897561	TRIGGER PIN KIT	1
217	890725	URETHANE RETAINER	1
217	883877	E-RING	1
218	892294	SPRING	1
301	904316	HOUSING W/ SPIRALOCK	1
301	904316	HOUSING W/ SPIRALOCK	1
302	892296	MUFFLER	1
303	892297	EXHAUST DIFFUSER	1
304	910251	SS/A END CAP W/ O-RI	1
304	910251	SS/A END CAP W/ O-RI	1
305	PAP252	PLUG	1
306	884443	PROTECTIVE COVER	1
307	910253	O-RING	10
401	892300	BOLT	10
402	883864	BOLT	10
403	892301	DRIVER GUIDE COVER	1
404	892302	WEAR PLATE	1
405	904315	SS/A-MAGAZINE UNIT B	1
405	904315	SS/A-MAGAZINE UNIT B	1
406	892304	ANCHOR BLOCK	1
407	897873	BRACKET	1
408	884532	BOLT	10
409	892306	WASHER	10
410	884592	BOLT	10
411	892307	PUSHER	1
412	898686	DRIVER GUIDE	1

COPYRIGHT© 2005. All Rights Reserved.

Parts list, pricing, and availability subject to change. Please visit www.dewaltservicenetwork.com for current parts information.

Parts List for US58 Type 1

Item Number	Part Number	Description	Qty Required
413	892309	COVER	1
414	892310	SPRING	1
415	892311	STOPPER	1
416	892312	PING	1
417	883877	E-RING	1
418	892313	SPRING	1
800	884293	AIR TOOL OIL (18CC)	1
856	884297	HEX WRENCH (3MM)	1
856	60058	OVERHAUL KIT	1
856	891903	HEX WRENCH 2.5MM	1
856	893579	SAFETY GLASSES	1
856	891902	HEX WRENCH	1
861	891602	CARRYING CASE	1

COPYRIGHT© 2005. All Rights Reserved.

Parts list, pricing, and availability subject to change. Please visit www.dewaltservicenet.com for current parts information.