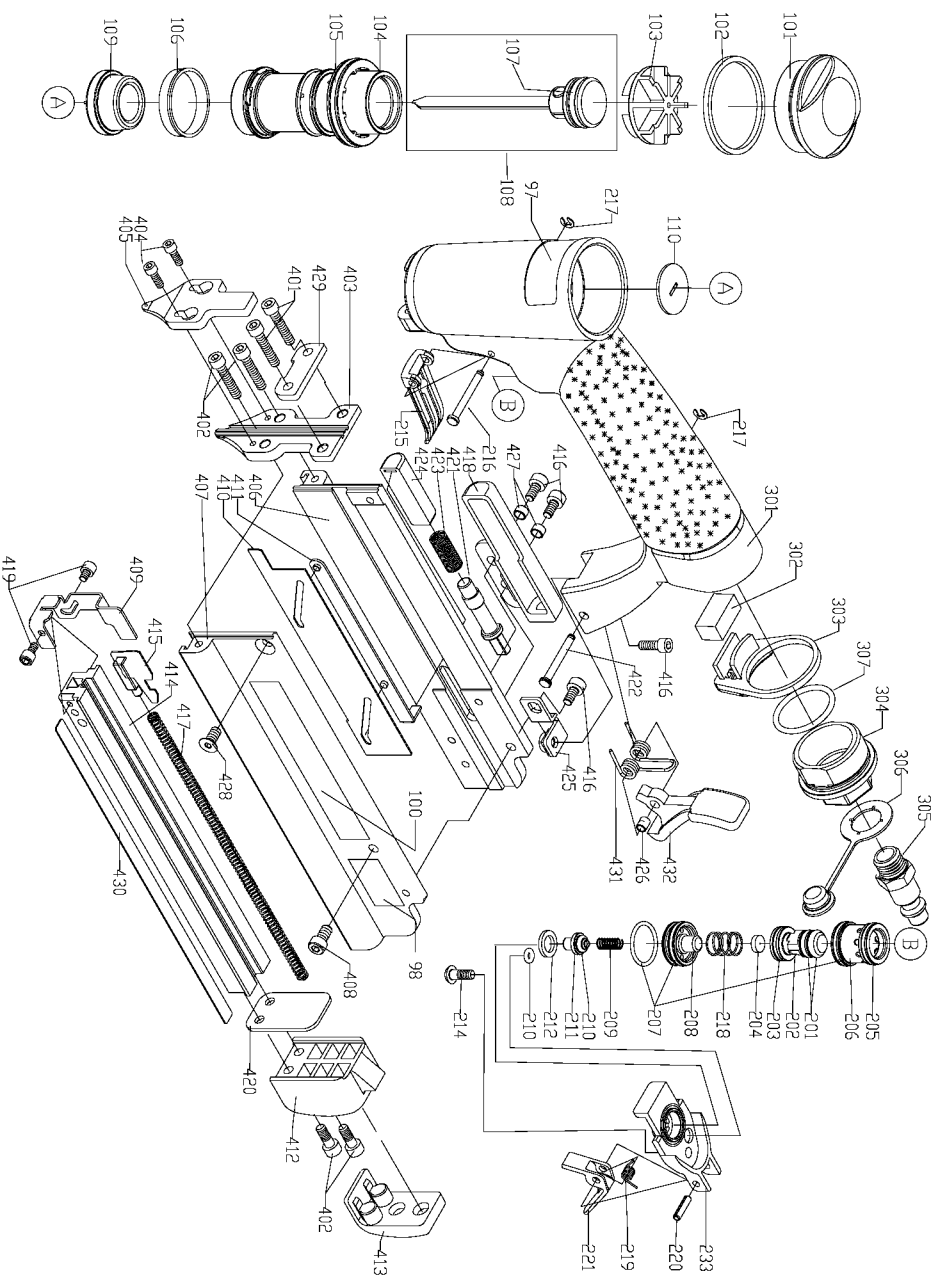


PORTER-CABLE PIN NAILER

WARNING: Repairs should only be attempted by trained repairmen. Contact the nearest Porter-Cable Service Center or other competent repair center

PIN 100



Parts List for PIN100 Type 1

Item Number	Part Number	Description	Qty Required
97	891606	LABEL-HOUSING LOGO U	1
98	904267	LABEL-LOAD INSTRUCTI	1
100	904679	LABEL-WARNING S/N SP	1
101	892267	CAP	1
102	892268	SEAL	1
103	892269	CYLINDER PRESS RING	1
104	904268	CYLINDER SLEEVE (NYL	1
105	892271	O-RING	1
106	892273	CYLINDER RING	1
107	904269	O-RING (16 X 3)(3016	1
108	905117	DRIVER MAINT KIT	1
108	905117	DRIVER MAINT KIT	1
109	910252	BUMPER	1
109	910252	BUMPER	1
110	904272	DRIVER GUIDE	1
201	892280	O-RING	1
202	893814	VALVE PLUNGER	1
203	892282	O-RING	1
204	892283	PLUNGER STOP	1
205	892284	O-RING	1
206	893815	VALVE BODY	1
207	905106	O-RING (15 X 1.5)	1
208	892287	PLUNGER CAP	1
209	888890	SPRING	1
210	892288	O-RING	1
211	892289	PLUNGER	1
212	892290	COLLAR	1

COPYRIGHT© 2005. All Rights Reserved.

Parts list, pricing, and availability subject to change. Please visit www.dewaltservicenet.com for current parts information.

Parts List for PIN100 Type 1

Item Number	Part Number	Description	Qty Required
214	884001	BOLT	10
215	897872	TRIGGER	1
216	897561	TRIGGER PIN KIT	1
217	883877	E-RING	1
218	892294	SPRING	1
219	904274	SPRING	1
220	897374	PIN (3X12)	1
221	A08102	SS/A-TRIGGER SECONDA	1
233	A08103	COVER- TRIGGER VALVE	1
301	904316	HOUSING W/ SPIRALOCK	1
302	892296	MUFFLER	1
303	892297	EXHAUST DIFFUSER	1
304	910251	SS/A END CAP W/ O-RI	1
304	910251	SS/A END CAP W/ O-RI	1
305	883859	MALE QUICK COUPLER	1
306	884443	PROTECTIVE COVER	1
307	910253	O-RING	1
401	892300	BOLT	10
402	883878	BOLT	10
403	905082	DRIVER GUIDE	1
404	905083	BOLT-HEX SKT HD(M3X.	10
405	905084	DRIVER GUIDE COVER	1
406	905085	MAGAZINE A	1
407	905086	SS/A-MAGAZINE B W/ L	1
408	883866	BOLT	10
409	905087	MAGAZINE STOP	1
410	905088	STEEL CHANNEL	1

COPYRIGHT© 2005. All Rights Reserved.

Parts list, pricing, and availability subject to change. Please visit www.dewaltservicenet.com for current parts information.

Parts List for PIN100 Type 1

Item Number	Part Number	Description	Qty Required
411	905089	ADJUSTING LEVER	1
412	905090	REAR MAGAZINE COVER	1
413	905091	REAR PROTECTION GUAR	1
414	905092	MAGAZINE BOTTOM	1
415	905093	PUSHER	1
416	884592	BOLT	10
417	905094	SPRING-PUSHER	1
418	905095	SPRING-PULL	1
419	905096	SCREW-HEX SKT HD(M3X	1
420	905097	REAR PLATE	1
421	905098	PIN-FIXED	1
422	892312	PING	1
423	905099	SPRING	1
424	905100	SPRING COVER	1
425	905101	BRACKET	1
426	905102	SPRING BUSHING	1
427	905103	BUSHING	1
428	883874	SCREW	10
429	905104	SPACER PLATE	1
430	905105	FLAT BAR	1
431	892310	SPRING	1
432	894739	MAGAZINE LATCH	1
800	884293	AIR TOOL OIL (18CC)	1
856	905118	OVERHAUL KIT	1
856	60083	OVERHAUL KIT	1
856	884298	HEX WRENCH (4MM)	1
856	891903	HEX WRENCH 2.5MM	1

COPYRIGHT© 2005. All Rights Reserved.

Parts list, pricing, and availability subject to change. Please visit www.dewaltservicenet.com for current parts information.

Parts List for PIN100 Type 1

Item Number	Part Number	Description	Qty Required
856	884297	HEX WRENCH (3MM)	1
861	903911	SS/A-CARRYING CASE	1

COPYRIGHT© 2005. All Rights Reserved.

Parts list, pricing, and availability subject to change. Please visit www.dewaltservicenet.com for current parts information.