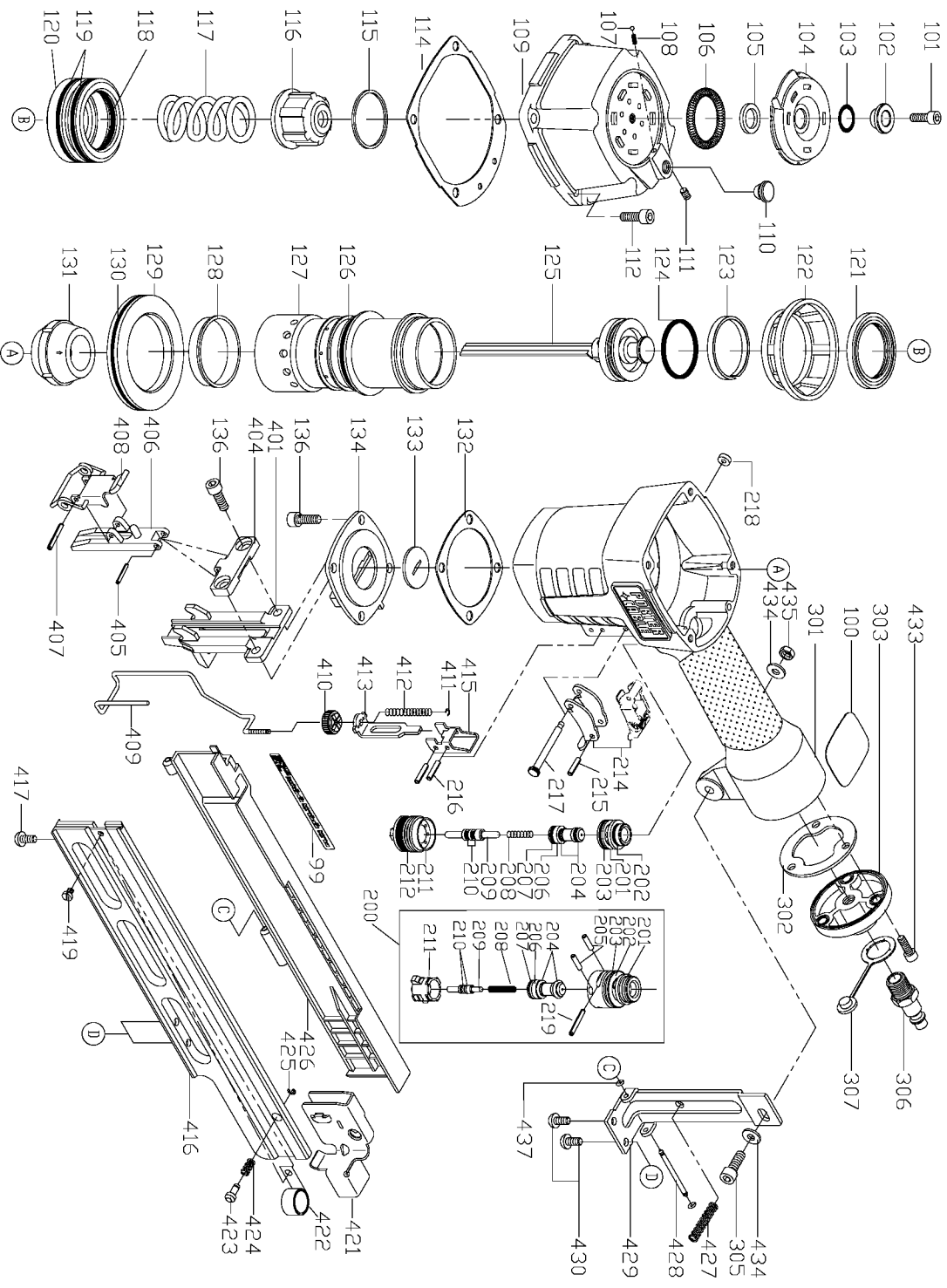


PORTER-CABLE MEDIUM CROWN STAPLER

WARNING: Repairs should only be attempted by trained repairmen. Contact the nearest Porter-Cable Service Center or other competent repair center.

MS200



Parts List for MS200 Type 1

Item Number	Part Number	Description	Qty Required
99	903335	LABEL	1
99	903335	LABEL	1
100	904673	WARNING LABEL	1
101	898303	SCREW	10
102	886186	WASHER	10
103	883849	O-RING	1
104	886187	DEFLECTOR	1
105	886188	RUBBER PAD	1
106	886086	MUFFLER	1
107	886101	BALL	1
108	886189	SPRING	1
109	886182	CAP	1
110	886148	GROMMET	1
111	883912	SET SCREW	10
112	898306	BOLT	10
114	883913	SEAL	1
115	886190	WASHER	10
116	886183	PISTON GRIP	1
117	A02165	SPRING - HEAD VALVE	1
118	883916	O-RING	1
119	883917	O-RING	1
120	888790	HEAD VALVE	1
121	883919	VALVE SEAL	1
122	883920	CYLINDER PRESS RING	1
123	887259	PISTON RING	1
124	887256	O-RING	1
125	903768	DRIVER MAINT KIT	1

COPYRIGHT© 2005. All Rights Reserved.

Parts list, pricing, and availability subject to change. Please visit www.dewaltservicenet.com for current parts information.

Parts List for MS200 Type 1

Item Number	Part Number	Description	Qty Required
125	903768	DRIVER MAINT KIT	1
125	887280	DRIVER UNIT	1
126	883924	O-RING	1
127	887257	CYLINDER	1
128	883926	CYL CHECK SEAL	1
129	883927	CYLINDER	1
130	883928	O-RING	1
131	886191	BUMPER	1
132	883930	GASKET	1
133	887260	DRIVER GUIDE	1
134	903509	FLANGE ASSY.	1
136	898333	BOLT	10
200	A08368	SS/A TRIGGER VALVE K	1
201	883934	BREATHER VALVE	1
201	897342	CAP	1
202	883831	O-RING	1
202	897340	O-RING	1
203	883935	O-RING	1
203	897341	O-RING	1
204	883936	O-RING	1
205	897374	PIN (3X12)	1
206	883937	TRIGGER VALVE	1
207	883938	O-RING	1
208	883939	PLUNGER SPRING	1
209	883940	PLUNGER	1
209	897346	PLUNGER	1
210	883848	O-RING	1

COPYRIGHT© 2005. All Rights Reserved.

Parts list, pricing, and availability subject to change. Please visit www.dewaltservicenet.com for current parts information.

Parts List for MS200 Type 1

Item Number	Part Number	Description	Qty Required
211	883941	TRIGGER CAP	1
211	897347	VALVE	1
212	883942	O-RING	1
214	000000-00	No Longer Available	1
214	000000-00	No Longer Available	1
214	5140030-10	RESTRICTIVE TRIGGER	1
214	5140030-09	BOTTOM FIRE TRIGGER	1
215	883945	ROLLED PIN	1
216	883884	ROLLED PIN	1
217	890724	PIN	1
217	883884	ROLLED PIN	1
218	890725	URETHANE RETAINER	1
219	898323	PIN	1
301	901385	HOUSING	1
302	883948	GASKET	1
303	887282	END CAP	1
305	883826	BOLT	10
306	887077	1/4 MALE QUICK CP	1
307	887078	1/4 PROT CVR(AIR	1
401	903507	DRIVER GUIDE	1
404	903508	DRIVER GUIDE COVER B	1
405	901336	ROLL PIN	1
406	887266	DRIVER GUIDE COVER A	1
407	884006	ROLLED PIN	1
408	887281	LOCK HANDLE UNIT	1
409	887275	SAFETY A	1
410	888820	WHEEL-THUMB	1

COPYRIGHT© 2005. All Rights Reserved.

Parts list, pricing, and availability subject to change. Please visit www.dewaltservicenet.com for current parts information.

Parts List for MS200 Type 1

Item Number	Part Number	Description	Qty Required
411	886218	RING	1
412	887279	SAFETY SPRING	1
413	000000-00	No Longer Available	1
415	000000-00	No Longer Available	1
416	887270	MAGAZINE	1
417	886259	BOLT	10
419	887273	SCREW	10
421	887271	PUSHER	1
422	883993	SPRING	1
423	886453	DOOR LATCH	1
424	886452	SPRING	1
425	886069	E-RING	1
426	893804	MAGAZINE COVER	1
427	887265	SPRING	1
428	888918	PIVOT PIN	1
429	887272	BRACKET	1
430	887283	HEX BUTTON	1
433	894752	BOLT	10
434	883971	WASHER-FLAT	10
435	883970	NUT-LOCK	1
437	888724	O-RING	1
800	884293	AIR TOOL OIL (18CC)	1
856	903787	OVERHAUL KIT	1
856	903772	VINYL SLIDING ATT	1
856	903787	OVERHAUL KIT	1
856	884299	HEX WRENCH (5MM)	1
856	893579	SAFETY GLASSES	1

COPYRIGHT© 2005. All Rights Reserved.

Parts list, pricing, and availability subject to change. Please visit www.dewaltservicenet.com for current parts information.

Parts List for MS200 Type 1

Item Number	Part Number	Description	Qty Required
856	884297	HEX WRENCH (3MM)	1
856	884298	HEX WRENCH (4MM)	1
861	887712	LATCH CARRYING CASE	1
861	886713	CARRYING CASE	1

COPYRIGHT© 2005. All Rights Reserved.

Parts list, pricing, and availability subject to change. Please visit www.dewaltservicenet.com for current parts information.