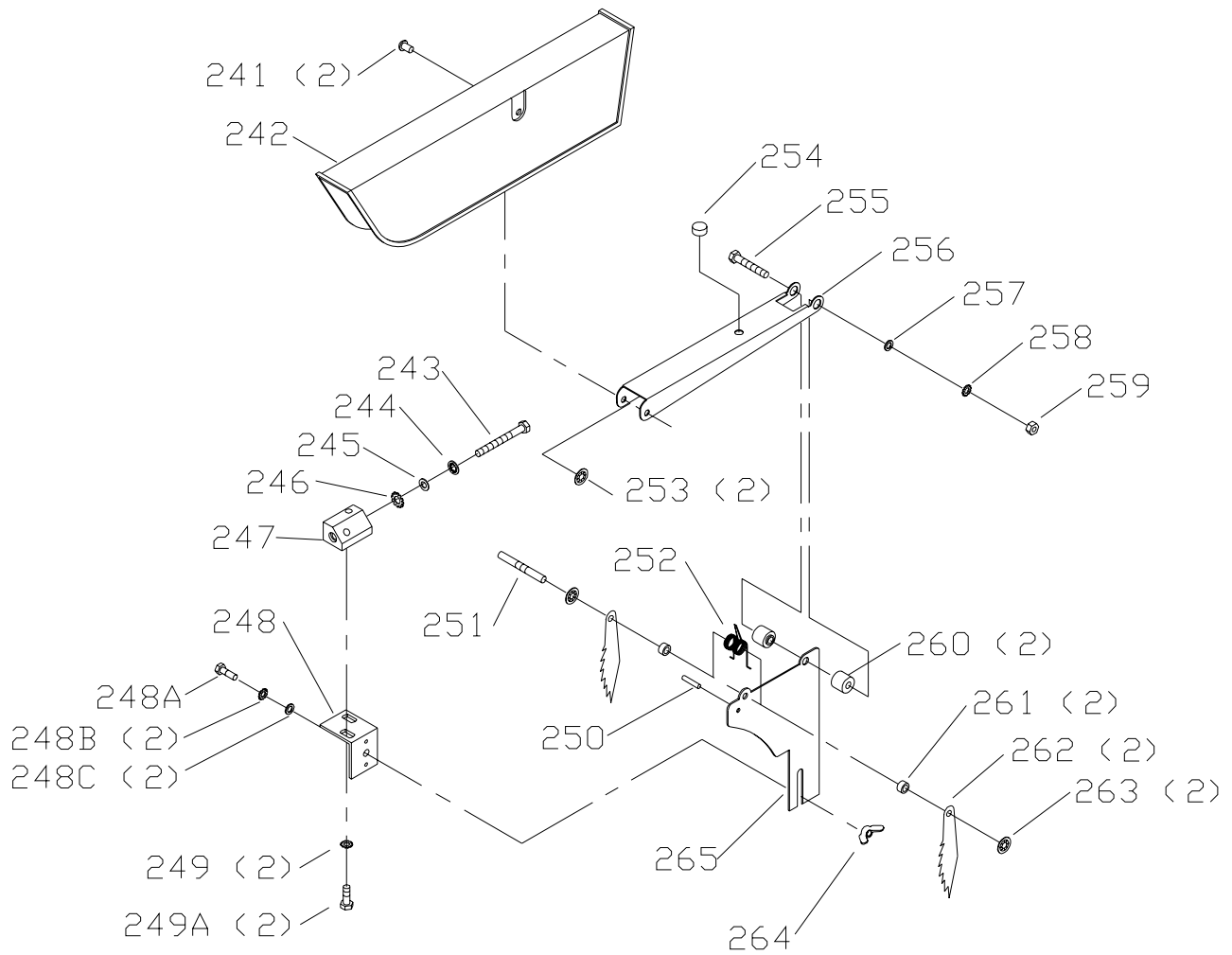


REPLACEMENT PARTS

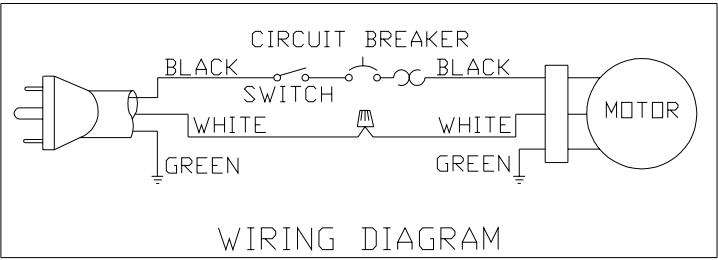
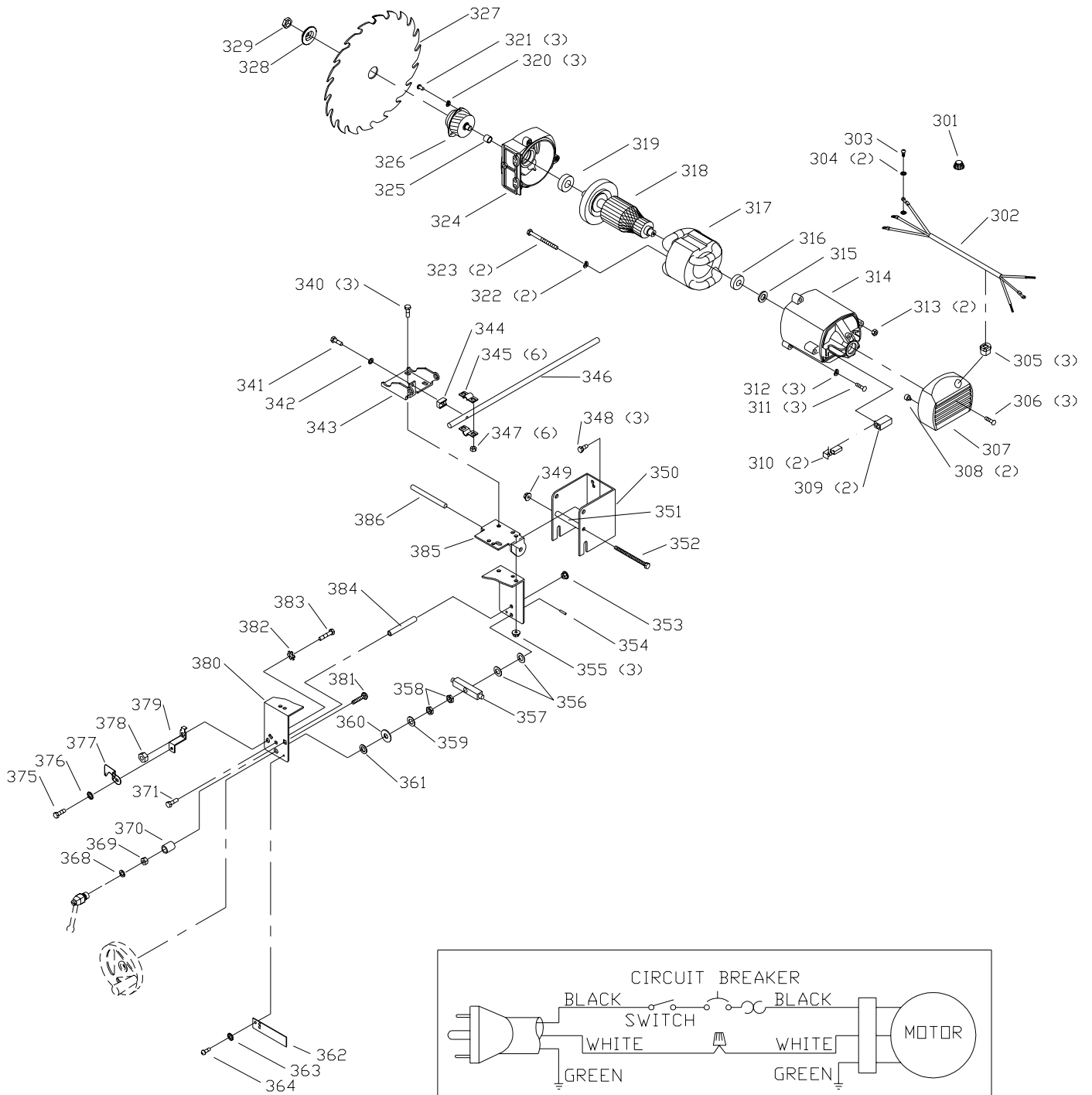
Ref.			Ref.		
<u>No.</u>	<u>Part No.</u>	<u>Description</u>	<u>No.</u>	<u>Part No.</u>	<u>Description</u>
*	900221	FENCE ASSY, CONST OF;	101	904-07-010-5555	1/4" FIBER WASHER
1	899956	FENCE	102	904-01-010-1603	1/4" FLAT WASHER
2	1246013	M6 X 12MM HEX HEAD SCREW	103	899960	LEVER ASSY
3	1313361	6.4MM SERRATED WASHER	104	1346718	SCREW ROD
4	1310159	M4 X 6MM PAN HEAD SCREW	105	1346719	HAND WHEEL
5	1345678	POINTER	106	1342035	M6 X 12MM FLAT HEAD SCREW
6	1246118	M3 X 24MM SPRING PIN	107	899961	HANDLE
7	1342685	HANDLE	108	1310153	M6 X 55MM CHEESE HD SCREW
8	1243398	M8 HEX NUT	109	1343759	SWITCH, CONST OF;
9	1346703	CAM	110	1343758	SWITCH KEY
10	1346704	ADJ SCREW	111	n 1313229	BREAKER W/PLAT
11	1346706	PIN	112	904-03-020-1773	1/2" LOCK INT. WASHER
12	1346705	PIN	113	1313228	NUT
13	899958	FENCE BODY	114	1343526	M4 X 15MM SELF TAP SCREW
14	1346708	SPRING	115	1345695	CORD CLAMP
15	1243501	M4 X 10MM CHEESE HD SCREW	116	1345697	COVER
16	1346710	SPRING PLATE	117	1345696	RUBBER FOOT
17	1346709	PLATE	118	899962	BASE
18	1345675	SPRING	119	1346715	M6 X 25MM HEX FLANGE SCREW
19	1346711	REAR CLAMP	120	1345686	BASE PLATE
20	1346726	GLIDE	121	899968	WARNING LABEL
21	1346712	LOCK ROD	130	1345699	WRENCH, EMO
51	1349836	RUBBER WASHER	131	1313197	ARBOR WRENCH
54	900060	TABLE INSERT	132	1246117	M4 X 10MM FLAT HEAD SCREW
55	1340406	M4 X 10MM PAN HEAD SCREW	133	1310210	4MM LOCK WASHER
56	1345682	SPEED NUT	134	1243569	M4 HEX NUT
57	1343218	FLAT HD SCREW	135	1345740	JUMPER WIRE
60	900061	TABLE, CONST OF;	136	1345698	POWER CORD
61	901-02-010-0535	1/4-20 X 1 1/4" ROUND HD SCREW	137	1348257	WARNING LABEL
62	901-02-010-0513	1/4-20 X 1 1/2" ROUND HEAD SCREW	138	n 900172	HARDWARE PACK
63	1349745	WARNING LABEL			CMO=CURRENT MODELS
64	899970	SCALE			EMO=EARLY MODELS ONLY
69	1346721	MITER GAGE ASSY	*		NOT SHOWN ASSEMBLED
87	1243501	M4 X 10MM CHEESE HD SCREW			
88	904-01-010-1602	3/16" FLAT WASHER			
89	1346724	SPRING CLIP			
90	1346725	BLOCK			
91	1243569	M4 HEX NUT			
92	1246140	6.4MM FLAT WASHER			
93	1346716	M6 X 25MM PAN HD SCREW			
94	904-01-010-1602	3/16" FLAT WASHER			
95	1340406	M4 X 10MM PAN HEAD SCREW			
96	1343223	FLAT HD SCREW			
97	1345694	SLEEVE			
98	1330398	M4 X 12MM FLAT HEAD SCREW			
99	905657	NAMEPLATE			
100	1343526	M4 X 15MM SELF TAP SCREW			



Ref.

No.	Part No.	Description
*	1349496	GUARD ASSY
241	1345655	RIVET
242	1345652	GUARD
243	901-01-060-5768	1/4-20 X 2 1/2" HEX HD SCREW
244	904-03-020-1764	1/4" INT TOOTH WASHER
245	904-01-010-1603	1/4" FLAT WASHER
246	904-03-013-1492	1/4" LOCK WASHER
247	1345663	BRACKET
248	1349498	BRACKET
248A	1246015	M6 X 20MM HEX HD SCREW
248B	904-03-030-1757	1/4" EXT TOOTH WASHER
248C	1310062	M6.4 FLAT WASHER
249	904-03-013-1492	1/4" EXT TOOTH LOCK WASHER
249A	901-01-060-0611	1/4-20 X 1/2" HEX HD SCREW
250	1310311	M4 X 22MM SPRING PIN
251	1345662	X PIN
252	1345659	SPRING
253	1345656	CLIP
254	1345653	BUMPER
255	901-01-060-3124	1/4-20 X 1 1/2" HEX HD SCREW
256	1345654	SUPPORT
257	904-01-021-3590	1/4" WASHER
258	904-03-013-1492	1/4" LOCK WASHER
259	902-01-120-1034	1/4-20 HEX NUT
260	1345658	SPACER
261	1345660	SPACER
262	1345657	FINGER
263	1345736	CLIP
264	1313281	M6 WING NUT
265	1349497	SPLITTER

* NOT SHOWN ASSEMBLED

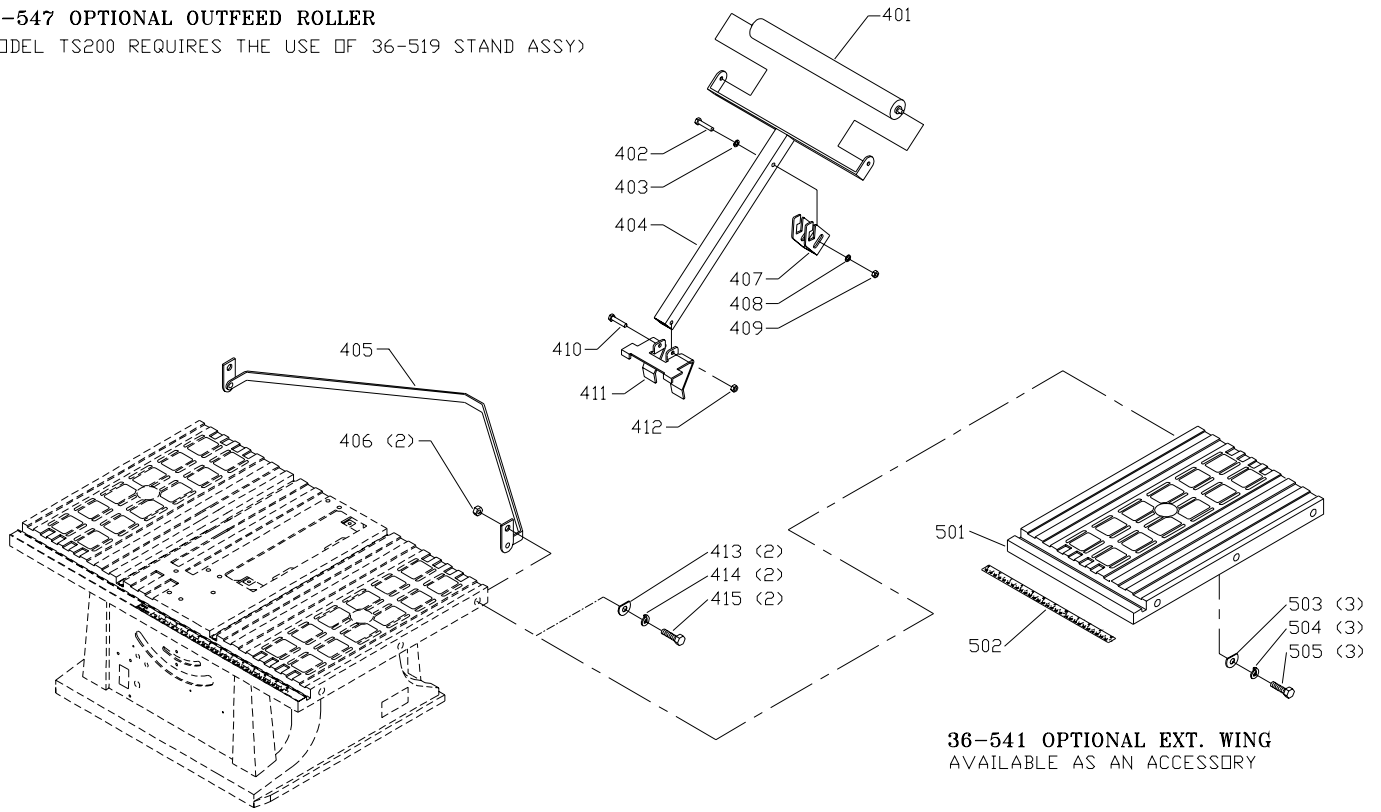


REPLACEMENT PARTS

<u>Ref.</u>	<u>Part No.</u>	<u>Description</u>	<u>Ref.</u>	<u>Part No.</u>	<u>Description</u>
*	1345700	MOTOR ASSEMBLY, CONST OF;	347	1345715	1/4-20 FLANGE NUT
301	438-01-007-0042	WIRE NUT	348	1346723	M6 X 16MM HEX FLANGE SCREW
302	1345701	MOTOR CORD	349	1345715	1/4-20 FLANGE NUT
303	1310159	M4 X 6MM PAN HEAD SCREW	350	1345714	BRACKET
304	1310210	4MM LOCK WASHER	351	1345725	SPACER
305	438-01-004-0062	BUSHING	352	901-01-060-9596	1/4-20 X 3 1/4" HEX HEAD SCREW
306	1341235	M4 X 12MM CHEESE HD SCREW	353	1345715	1/4-20 FLANGE NUT
307	1345703	END CAP	354	1246119	M3 X 16MM SPRING PIN
308	1345702	PAD	355	1345715	1/4-20 FLANGE NUT
309	1345704	BRUSH HOUSING	356	904-01-031-2934	1/4" FLAT WASHER
310	1345705	BRUSH	357	1345724	BLOCK
311	1310146	M5 X 30MM PAN HEAD SCREW	358	902-01-020-5433	3/8-16 HEX JAM NUT
312	1320101	5.3MM STAR WASHER	359	904-01-031-2933	3/8" FLAT FIBER WASHER
313	1343504	M5 LOCK NUT	360	904-01-031-7706	3/8" FLAT WASHER
314	1345706	MOTOR HOUSING	361	1343275	10.5MM WAVE WASHER
315	1345707	WAVY WASHER	362	1345727	PLATE
316	920-08-020-5352	BALL BEARING	363	904-03-030-1760	LOCK WASHER
317	1345708	FIELD	364	901-20-241-6107	#10-32 X 3/8" HEX HEAD SCREW
318	1345709	ARMATURE	368	904-01-010-1603	1/4" FLAT WASHER
319	400-08-139-0008	BEARING	369	902-01-120-1034	1/4-20 HEX NUT
320	1243525	4.1MM LOCK WASHER	370	1345716	SPACER
321	1341235	M4 X 12MM CHEESE HD SCREW	371	901-01-060-9596	1/4-20 X 3 1/4" HEX HEAD SCREW
322	1320101	5.3MM STAR WASHER	375	901-02-140-3712	#10-24 X 3/8" BIND HEAD SCREW
323	1341770	M5 X 72MM PAN HEAD SCREW	376	904-03-030-1760	LOCK WASHER
324	1345785	GEAR HOUSING	377	1345732	POINTER
325	1345711	BEARING	378	902-01-010-1300	5/16-18 HEX NUT
326	1345712	JACKSHAFT ASSEMBLY	379	1345731	BRACKET
327	OPTIONAL	10" SAW BLADE	380	1345723	BRACKET
328	422-04-103-5009	FLANGE	381	901-11-020-0819	1/4-20 X 1 1/4" CARRIAGE SCREW
329	1345713	ARBOR NUT	382	904-03-050-1752	LOCK INT. WASHER
340	1349495	1/4-20 X 3/4" HEX FLANGE SCREW	383	901-01-060-0629	5/16-18 X 3/8" HEX HEAD SCREW
341	901-06-163-1484	#10-24 X 3/4" HEX HEAD SCREW	384	1345726	SPACER
342	904-03-030-1760	LOCK WASHER	385	1345722	MOTOR PLATE
343	1345717	BRACKET	386	1343251	ROLL PIN
344	1345718	SADDLE			
345	1345720	STRAP	*	NOT SHOWN ASSEMBLED	
346	1345719	PIVOT ROD			

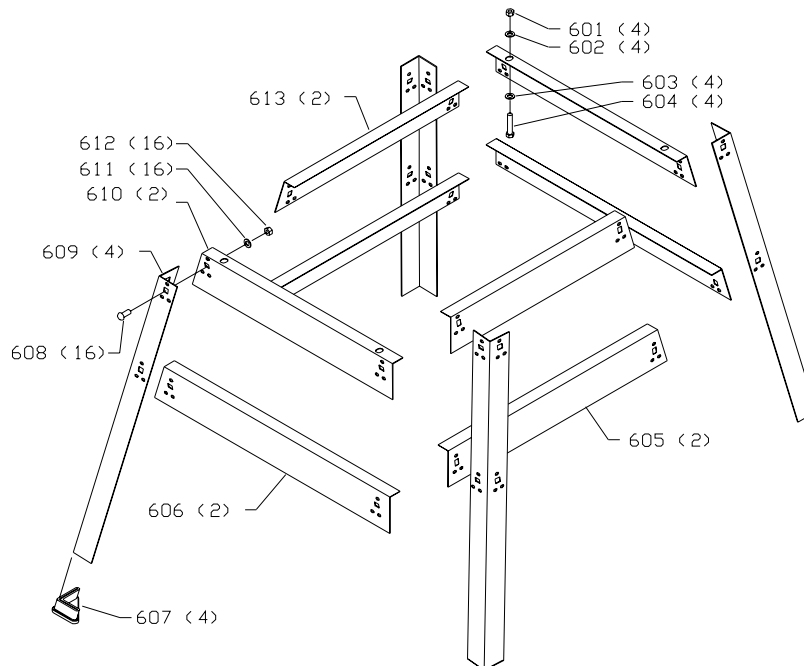
36-547 OPTIONAL OUTFEED ROLLER

(MODEL TS200 REQUIRES THE USE OF 36-519 STAND ASSY)



36-541 OPTIONAL EXT. WING
AVAILABLE AS AN ACCESSORY

STAND FOR MODEL TS200LS



REPLACEMENT PARTS

<u>Ref.</u>	<u>No.</u>	<u>Part No.</u>	<u>Description</u>
*		36-547	OPT. OUTFEED ROLLER, CONST OF;
	401	1346177	ROLLER SUPPORT
	402	1346205	M6 X 45MM HEX HD SCREW
	403	1246140	M6.4 FLAT WASHER
	404	1346210	ROLLER SUPPORT
	405	1346206	LATCH ASSY
	406	1343419	3/8-16 HEX NUT
	407	1346211	BRACKET
	408	1246140	M6.4 FLAT WASHER
	409	1343642	M6 LOCK NUT
	410	1246128	M6 X 40MM HEX HD SCREW
	411	1346209	BASE BRACKET
	412	1343642	M6 LOCK NUT
	413	1346213	SPECIAL WASHER
	414	904-02-020-1704	3/8" LOCK WASHER
	415	1346212	3/8-16 X 1 1/2" HEX HD SCREW
	501	36-541	OPTIONAL EXT WING, CONST OF;
	502	1345745	SCALE
	503	1346213	SPECIAL WASHER
	504	904-02-020-1704	3/8" LOCK WASHER
	505	901-01-060-0642	3/8-16 X 1" HEX HEAD SCREW
*		36-519	STAND ASSY, TS200LS, CONST OF;
	601	1243398	M8 HEX NUT
	602	904-01-010-1605	3/8" FLAT WASHER
	603	904-01-010-1605	3/8" FLAT WASHER
	604	1246079	M8 X 40MM HEX HD SCREW
	605	900364	BRACKET
	606	900365	BRACKET
	607	427-99-048-0001	PLASTIC FOOT
	608	1313325	M8 X 20MM CARRIAGE HD SCREW
	609	900366	LEG (24")
	610	900367	BRACKET
	611	904-01-010-1605	3/8" FLAT WASHER
	612	1243398	M8 HEX NUT
	613	900368	BRACKET
*			NOT SHOWN ASSEMBLED

STANDARD SAFETY EQUIPMENT

In order to promote tool safety, Delta Machinery strictly enforces the policy of repairing or replacing any damaged or missing standard safety equipment on machines presented to Delta Authorized Service Centers for service/repairs. Any product that is presented to a Delta Authorized Service Centers for repairs which contains missing or damaged standard safety equipment will have that equipment repaired or replaced and the customer will be charged for any such service/repairs. Customers can avoid such charges only if the missing safety component is supplied to the service center at the time of repair.

This parts list is provided to aid in obtaining service parts. Copies of the instruction and maintenance literature can be obtained through the Delta Technical Publications Department or through your service outlet.