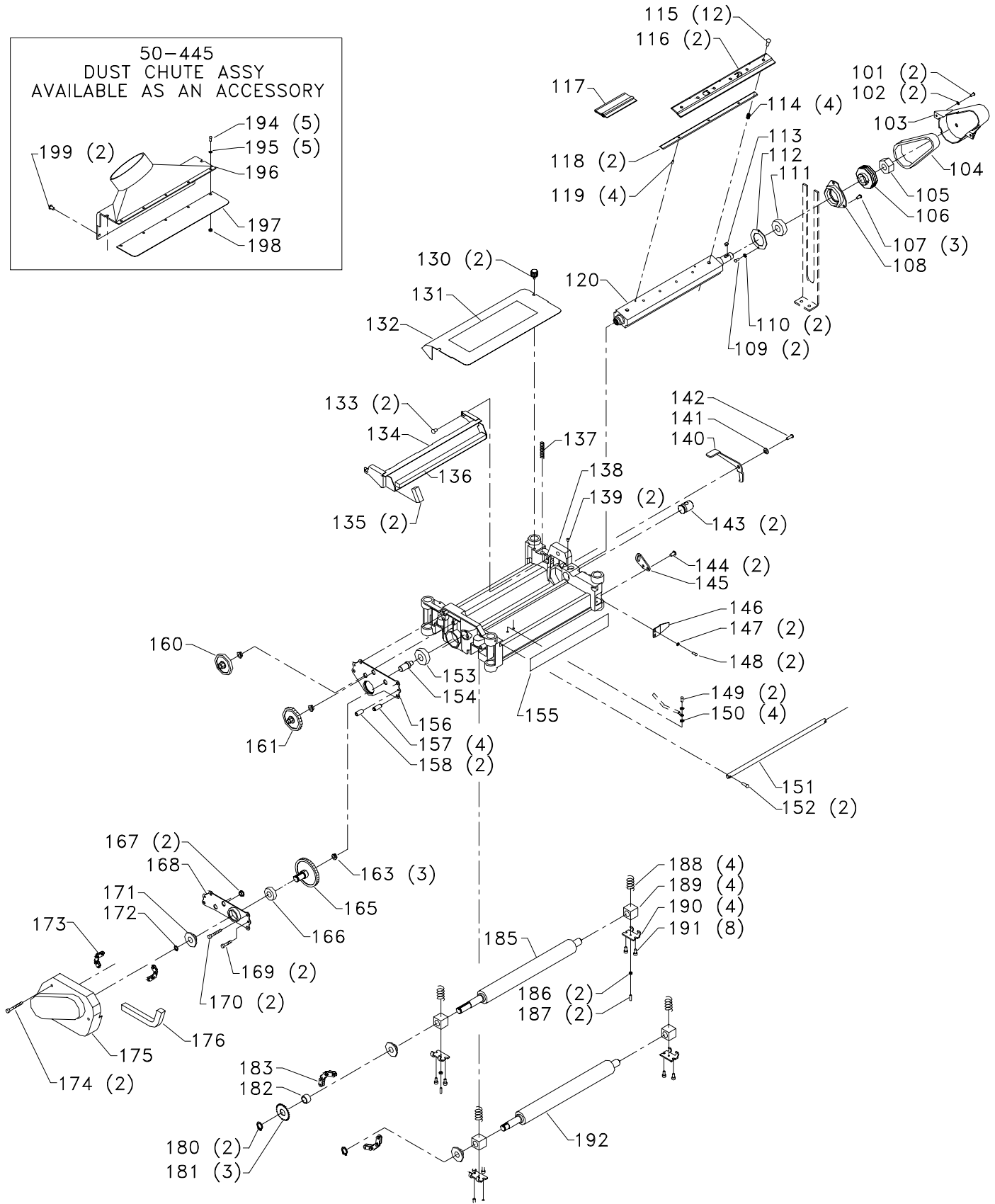


REPLACEMENT PARTS

Ref.			Ref.		
<u>No.</u>	<u>Part No.</u>	<u>Description</u>	<u>No.</u>	<u>Part No.</u>	<u>Description</u>
1	903297	HANDLE ASSY	48	1246067	M6 X 16MM CHEESE HD SCREW
2	1344933	M5 X 20MM HEX SOC HD SCREW	49	1342133	TABLE BUSHING
3	903298	RAISE/LOWER LABEL	50	1342198	SPRING WASHER
4	1246135	M6 X 16MM FLAT HD SCREW	51	903405	TABLE SUPPORT
5	903300	COLUMN SUPPORT	53	1341072	BALL BEARING
6	1342147	STOP	54	1342197	BEARING RETAINER
7	1342184	SLEEVE	55	1342180	SPINDLE WASHER
8	1342187	HANDLE	57	1343538	M5.1 LOCK WASHER
9	903301	COLUMN SUPPORT	58	1246051	M5 X 12MM HEX SOC HD SCREW
10	903302	BALL	59	1342137	SPINDLE SPROCKET
10A	1342166	STUD	60	1342225	SPACER
11	1342165	HUB	61	1349832	M4 X 12MM BUTTON HD SCREW
12	1342220	SPECIAL SCREW	65	1342138	ROLLER CHAIN
13	1342206	LOCK ROD ASSY	66	1342136	CHAIN GUARD
13A	1342222	HEAD LOCKING PLATE	67	1343545	M4.1 FLAT WASHER
14	903362	LOCK/UNLOCK LABEL	68	1243501	M4 X 10MM CHEESE HD SCREW
15	1342194	SIDE COVER	69	1345859	M6 X 12MM BUTTON HD SCREW
16	903304	SCALE	70	1243520	M6.1 LOCK WASHER
17	1243501	M4 X 10MM CHEESE HD SCREW	71	1342148	HEAD LOCKING PLATE
18	1343545	M4.1 FLAT WASHER	72	1243501	M4 X 10MM CHEESE HD SCREW
19	1342196	SPRING	73	1343545	M4.1 FLAT WASHER
20	1342169	GUARD	74	903308	SIDE COVER
21	1349866	RIVET	75	1342142	LEFT GUIDE RAIL
22	1342170	GUIDE PLATE	76	1243501	M4 X 10MM CHEESE HD SCREW
23	1313227	M4 X 12MM CHEESE HD SCREW	77	1343545	M4.1 FLAT WASHER
24	1342160	HEAD LOCK SHOE	78	1342930	CLAMP
25	1342162	SPACER	79	1349762	LABEL
26	1342164	TUBE	80	904165	HARDWARE PACK
26A	1342224	JAM NUT			
26B	1342223	JACK SCREW			
27	1342163	HEAD LOCK NUT			
28	1342217	TOOL HOLDER			
29	1246177	M4 X 6MM CHEESE HD SCREW			
30	1342132	CORD WRAP			
35	1342209	WEAR PLATE			
36	1342139	L. H. ELEVATING SCREW			
37	1342141	R. H. ELEVATING SCREW			
38	1342146	COLUMN			
39	1349864	WRENCH ASSY			
40	1243501	M4 X 10MM CHEESE HD SCREW			
41	1342199	RIGHT GUIDE RAIL			
42	1246015	M6 X 20MM HEX HD SCREW			
43	1243456	M6 HEX NUT			
44	903306	BASE			
45	1246035	M10 X 30MM HEX HD SCREW			
46	1246177	M4 X 6MM CHEESE HD SCREW			
47	903307	INFEED/OUTFEED TABLE			

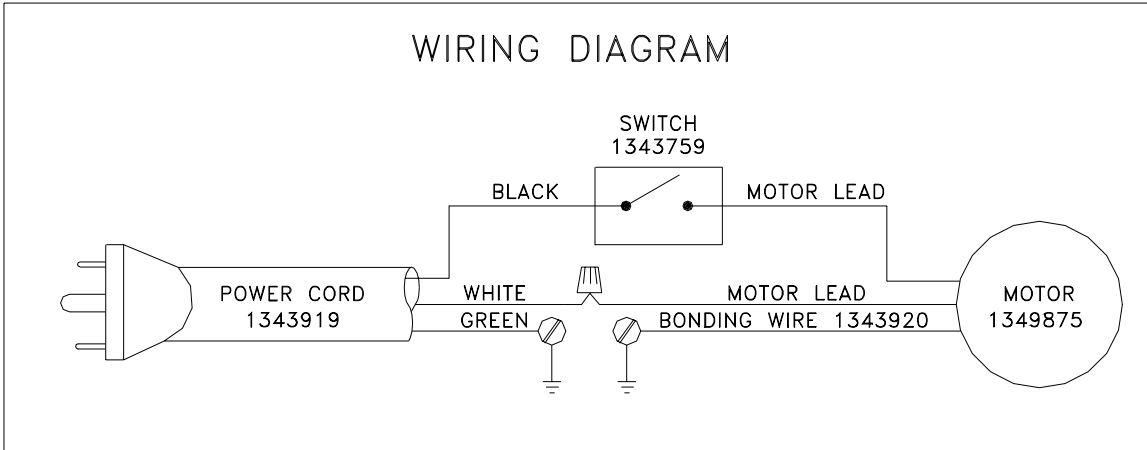
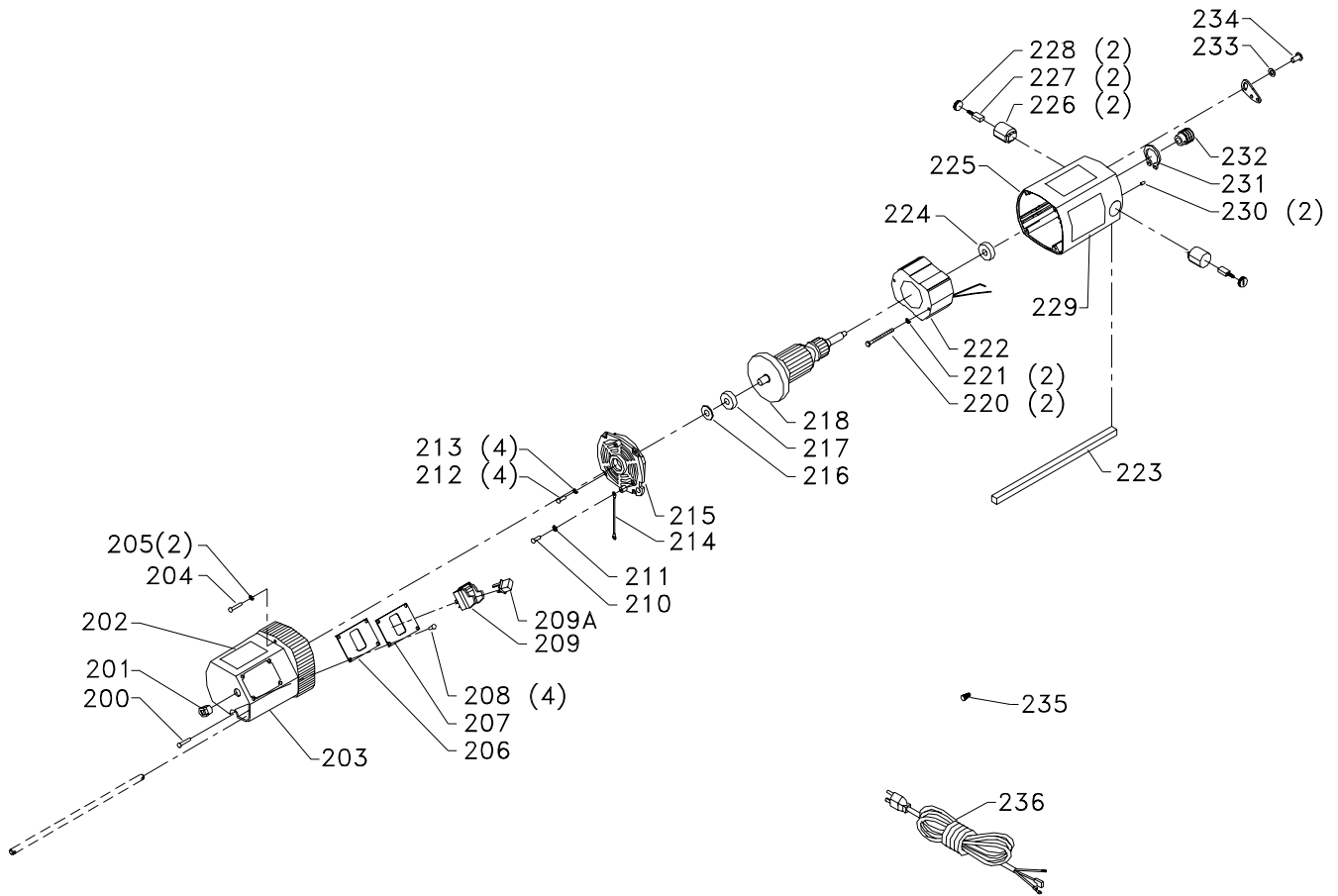
50-445
DUST CHUTE ASSY
AVAILABLE AS AN ACCESSORY



REPLACEMENT PARTS

Ref.			Ref.		
<u>No.</u>	<u>Part No.</u>	<u>Description</u>	<u>No.</u>	<u>Part No.</u>	<u>Description</u>
101	1341235	M4 X 12MM CHEESE HD SCREW	155	905722	NAMEPLATE
102	1343545	M4.1 FLAT WASHER	*	1349853	GEARBOX ASSY, CONST OF;
103	1342177	BELT GUARD	156	1342171	REAR GEARBOX PLATE
104	22-563	BELT	157	1343907	SPACER UNDERCUT
105	1343849	M16 LEFT HAND NUT	158	1343906	SPACER
106	1342156	DRIVE PULLEY	160	1349852	GEAR-SMALL
107	1342455	M5 X 10MM PAN HD SCREW	161	1343910	GEAR-INTERMEDIATE
108	1342159	BEARING CUP	163	1343908	BUSHING
109	1342063	M3.5 X 10MM PAN HD SCREW	165	1342193	GEAR W/SHAFT
110	904-03-030-1788	EXT TOOTH WASHER	166	422-31-139-0002	BALL BEARING
111	1086894	BALL BEARING	167	1343908	BUSHING
112	1342219	BEARING RETAINER	168	1342173	FRONT GEARBOX PLATE
113	1349860	KEY	169	1246050	M5 X 25MM HEX SOC HD SCREW
114	1342204	SPRING	170	1343915	M5 X 35MM HEX SOC HD SCREW
115	1345880	M6 X 16MM BUTTON HD SCREW	171	1343881	SPROCKET
116	1342143	KNIFE LOCKING BAR	172	1243301	EXT RET RING
117	1342213	KNIFE REMOVAL TOOL ASSY	173	1343002	CHAIN, (13-1/2 LINKS)
118	22-562	KNIVES (SET OF 2)	174	1345349	M5 X 40MM HEX SOC HD SCREW
119	1342145	CUTTERHEAD PIN	175	1342176	GEARBOX GUARD
120	1342140	CUTTERHEAD	176	1349869	SEAL
130	1342214	KNOB	180	1243301	EXT RET RING
131	903363	CUTTERHEAD WARNING LABEL	181	1343881	SPROCKET
132	1342191	DUST CHUTE ASSY	182	1342174	SPROCKET SPACER
133	1349862	M6 X 10MM BUTTON HD SCREW	183	1343002	CHAIN, (13-1/2 LINKS)
134	1342190	EXHAUST MANIFOLD ASSY	185	1342154	OUTFEED ROLLER
135	1349874	CUSHION	186	1243569	M4 HEX NUT
136	1349873	CUSHION	187	1349858	M4 X 15MM HEX SOC SET SCREW
137	1342205	SPRING	188	1349831	SPRING
138	903311	HEAD	189	1343875	BEARING BLOCK
139	1349859	SCREW	190	1342157	MOUNTING PLATE
140	1342211	CUTTERHEAD LOCK	191	1346203	M5 X 10MM HEX SOC HD SCREW
141	1342168	SPACER	192	1342152	INFEED ROLLER
142	1246001	M5 X 12MM CHEESE HD SCREW			
143	1342149	SPINDLE NUT			
144	1345859	M6 X 12MM BUTTON HD SCREW			
145	1342189	MOTOR MOUNTING PLATE			
146	1342192	CURSOR	*	50-445	DUST COLLECTOR ASSY, CONST OF;
147	1349863	M3 FLAT WASHER	194	1340490	M4 X 8MM CHEESE HD SCREW
148	1246000	M3 X 6MM CHEESE HD SCREW	195	1343545	M4.1 FLAT WASHER
149	1342455	M5 X 10MM PAN HD SCREW	196	1342183	DUST CHUTE
150	1320101	M5.3 EXT TOOTH WASHER	197	1342182	DUST CHUTE EXTENDER
151	1342188	MOTOR PIVOT ROD	198	1243569	M4 HEX NUT
152	1346165	M5 X 16MM BUTTON HD SCREW	199	1345859	M6 X 12MM BUTTON HD SCREW
153	1086894	BALL BEARING			
154	1343903	PINION GEAR	*		NOT SHOWN ASSEMBLED

ACCESSORIES: (Optional)

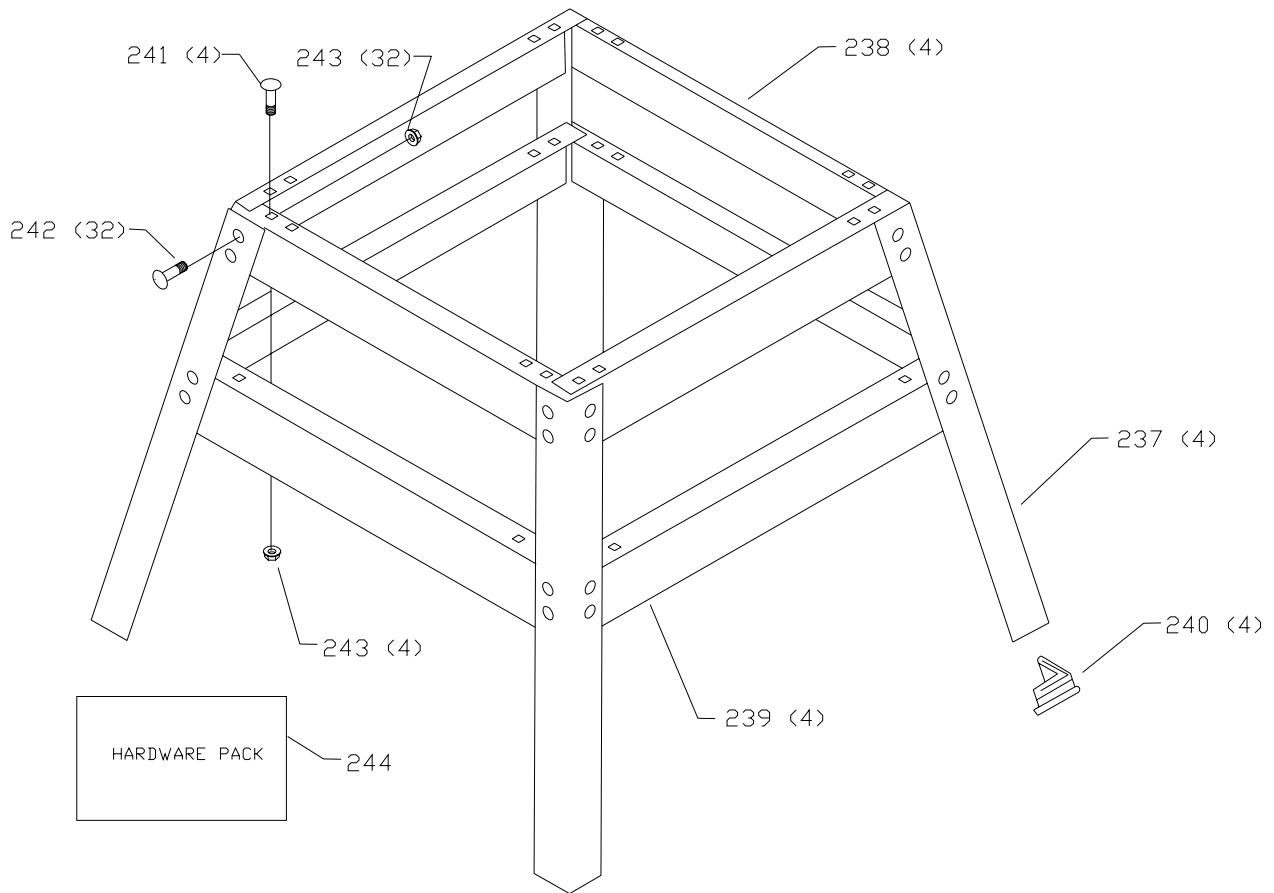


REPLACEMENT PARTS

Ref.

<u>No.</u>	<u>Part No.</u>	<u>Description</u>
*	903458	MOTOR ASSY, CONST OF;
200	1349856	M5 X 40MM PAN HD SCREW
201	438-01-004-0062	HEYCO BUSHING 5/8"
202	903314	WARNING LABEL
203	903371	HOUSING
204	1349857	M5 X 50MM PAN HD SCREW
205	1343538	M5.1 LOCK WASHER
206	1342202	INSULATOR
207	903316	SWITCH COVER
208	1343140	M5.5 X 12MM PAN HD SCREW
209	1343759	SWITCH, INCL:
209A	400-06-068-000	SWITCH KEY
210	1343923	M5.5 X 10MM PAN HD SCREW
211	1320101	M5.3 EXT TOOTH WASHER
212	1343051	M4.2 X 20MM PAN HD SCREW
213	1243525	M4.1 LOCK WASHER
214	1343920	BONDING WIRE
215	1342175	MOTOR END CAP
216	1343929	WAVE WASHER
217	920-04-013-1045	BALL BEARING
218	n 901030	ARMATURE
220	1343932	M4.8 X 72MM PAN HD SCREW
221	1343538	M5.1 LOCK WASHER
222	1343943	FIELD
223	1349868	SEAL
224	920-04-013-1045	BALL BEARING
225	903372	MOTOR HOUSING
226	1343934	BRUSH HOLDER
227	1313113	BRUSH
228	1343936	BRUSH CAP
229	903318	NAMEPLATE
230	1246137	M5 X 8MM HEX SOC SET SCREW
231	1246195	INT RET RING
232	1343873	MOTOR PULLEY
233	1344330	M8 FLAT WASHER
234	1346163	M8 X 16MM BUTTON HD SCREW
235	438-01-007-0042	WIRE NUT
236	1343919	MOTOR CORD

* NOT SHOWN ASSEMBLED



Ref. No.	Part No.	Description
237	903488	LEG
238	903487	TOP BRACE
239	903489	LOWER BRACE
240	427-99-048-0001	FOOT
241	903402	M8 X 1 HEX FLG SCREW
242	1349177	M8 X 1.25 CARR BOLT
243	1348301	M8 X 1.25 HEX FLG NUT
244	903392	HARDWARE PACK

STANDARD SAFETY EQUIPMENT

In order to promote tool safety, Delta Machinery strictly enforces the policy of repairing or replacing any damaged or missing standard safety equipment on machines presented to Delta Authorized Service Centers for service/repairs. Any product that is presented to a Delta Authorized Service Centers for repairs which contains missing or damaged standard safety equipment will have that equipment repaired or replaced and the customer will be charged for any such service/repairs. Customers can avoid such charges only if the missing safety component is supplied to the service center at the time of repair.

This parts list is provided to aid in obtaining service parts. Copies of the instruction and maintenance literature can be obtained through the Delta Technical Publications Department or through your service outlet.