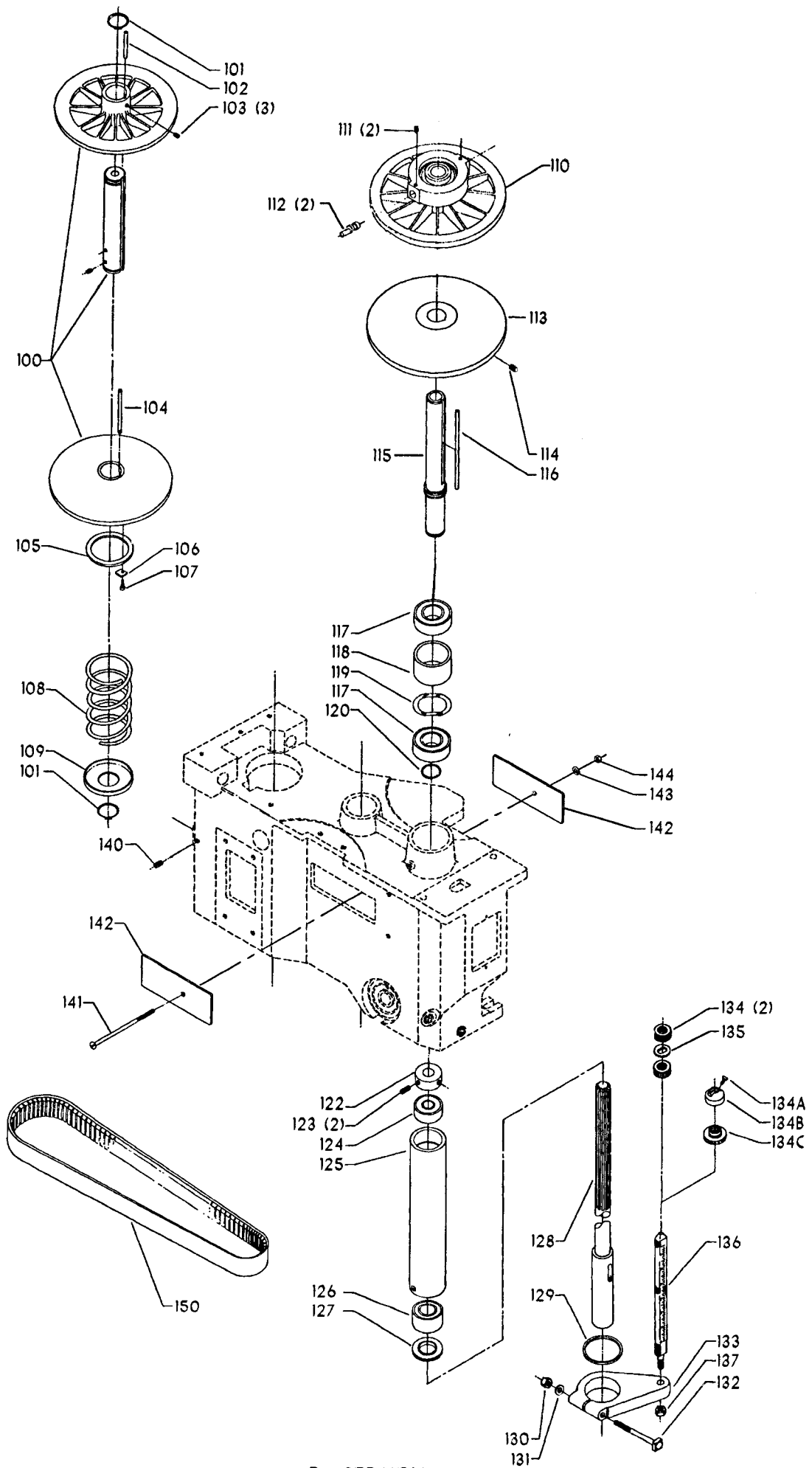


# REPLACEMENT PARTS

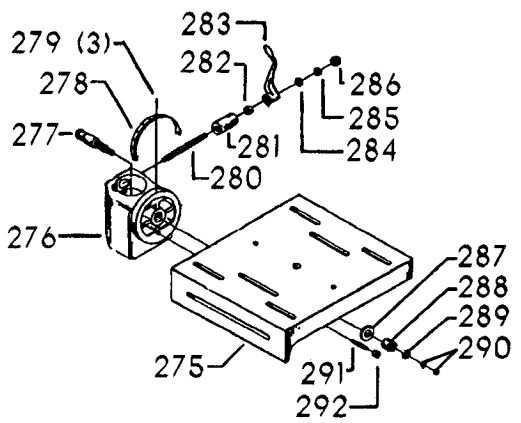
REF NO	PART NUMBER	DESCRIPTION	REF NO	PART NUMBER	DESCRIPTION
1	402-06-054-5006	REAR GUARD, INCL:	40	901-02-010-0512	5/16-18 X 1/2" ROUND HD SCREW
2	402-07-104-5004	SPACER	41	429-01-004-0004	CABLE CLAMP
2A	402-00-752-0001	WARNING LABEL	42	901-01-060-0605	5/16-18 X 1/2" HEX HD SCREW
3	902-03-050-2974	#10-24 SPEED NUT	43	401-04-031-5005	COVER PLATE
4	402-06-031-5003	SHIELD	44	904-01-010-1620	FLAT WASHER
5	0907034	#10-24 X 3/8" TRUSS HD SCREW	45	901-01-061-9534	5/8-11 X 8.00 HEX HD SCREW
*	1200248	SHIFTER BRACKET ASSY, CONST OF:	46	905-01-010-2718	3/16" X 3/4" SPRING PIN
6	402-06-014-5010	SHIFTER BRACKET	47	1200228	COLUMN CLAMP
7	904-01-031-5000	FLAT WASHER	48	902-01-010-5446	5/8-11 HEX NUT
8	920-04-020-5384	BALL BEARING	49	402-06-014-5008	MOUNTING BRACKET
9	1200865	SPECIAL BOLT	50	902-01-010-1300	5/16-18 HEX NUT
10	1200219	ROD	51	901-04-150-1107	5/16-18 X 1" HEX SOC SET SCREW
11	0906855	CLIP	52	0906485	#14 X 5/8" TRUSS HD SCREW
12	904-15-010-7008	EXT RET RING	53	0906482	NUT
13	402-04-106-5010	SHAFT	54	402-06-057-5001	HEAD
14	927-01-010-2633	WOODRUFF KEY	55	904-02-020-1704	3/8" LOCK WASHER
15	402-04-019-5001	CAM	56	901-01-060-0648	3/8-16 X 1 1/4" HEX HD SCREW
16	1200266	SPEED CONTROL SCREW	57	905-01-010-6745	3/16" X 1 7/8" SPRING PIN
17	902-01-020-5433	3/8-16 JAM NUT	58	402-06-107-5002	HUB
18	402-06-054-5004	FRONT GUARD	59	1202620	ROD ASSEMBLY, INCL:
19	901-05-193-1196	#10 X 1" TRUSS HD SCREW	60	1201641	KNOB - SLIP ON ( <i>Current Models Only</i> )
20	901-06-450-2250	#04 X 3/16" ROUND HD SCREW	60A	931-01-011-4796	KNOB - SCREW ON ( <i>Early Models Only</i> )
21	402-06-037-0006	DIAL PLATE	61	402-07-106-5026	PINION SHAFT
22	1200225	PLUG	62	952-01-121-3274	SPRING PIN
23	901-04-150-1111	3/8-16 X 3/8" HEX SOC SET SCREW	63	402-04-031-5002	SWITCH OPENING COVER
24	1202610	ROD ASSY, INCL:	64	901-02-010-0553	#06-32 X 1/2" ROUND HD SCREW
25	1201644	KNOB - SLIP ON ( <i>Current Models Only</i> )	65	905-04-071-4485	PLUG
25A	931-01-011-3519	HANDLE - SCREW ON ( <i>Early Models Only</i> )	66	1200227	QUILL LOCK
26	402-04-075-5003	POINTER	67	905-04-071-4485	PLUG
27	1200224	HUB	68	901-09-081-5210	QUILL ADJUSTNG SCREW
28	928-01-041-3355	COIL SPRING	69	402-06-104-5001	SPECIAL WASHER
29	901-04-190-0225	5/16-18 X 1/4" HEX SOC SET SCREW	70	901-02-010-0503	1/4-20 X 5/8" ROUND HD SCREW
30	1200296	MOTOR PLATE ASSY, INCL:	71	905-01-010-6715	3/16" X 5/8" SPRING PIN
31	901-11-020-0808	5/16-18 X 1" CARRIAGE HD SCREW	72	401-02-079-5001	PINION RETAINER
32	902-03-000-2951	5/16-18 PUSH NUT	73	901-03-040-8015	1/4-20 X 1/2" BUTTON HD SCREW
33	901-01-060-0649	5/16-18 X 1" HEX HD SCREW (Used To Mount Motor Starter)	74	928-08-012-1766	RETURN SPRING
34	902-03-000-2951	5/16-18 PUSH NUT (Used To Mount Motor Starter)	75	401-04-031-5001	SPRING HOUSING
35	902-01-010-1300	5/16-18 HEX NUT	76	904-01-010-1622	FLAT WASHER
36	904-01-010-1620	FLAT WASHER	77	902-01-020-1226	5/8-18 JAM NUT
			78	901-04-150-0231	5/16-18 X 3/8" HEX SOC SET SCREW

\* NOT SHOWN ASSEMBLD

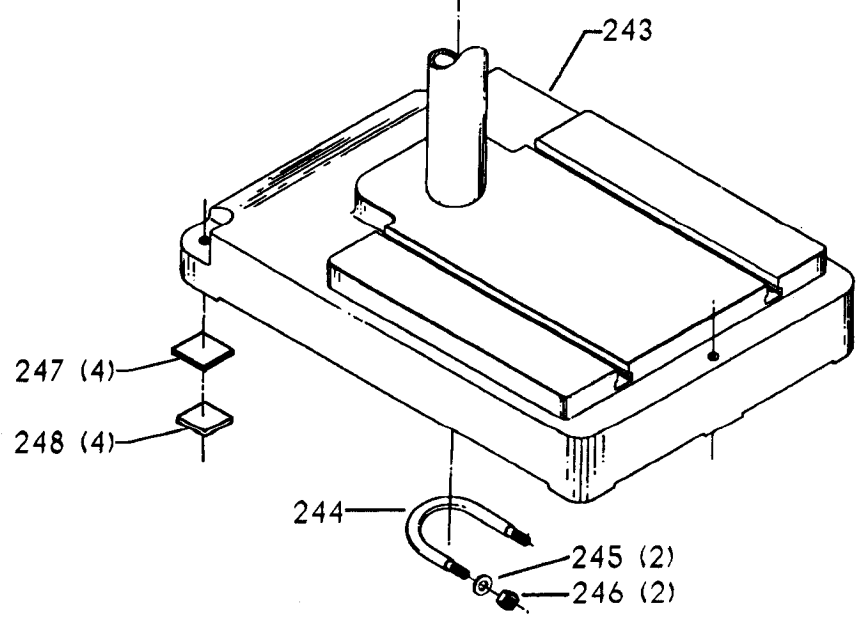
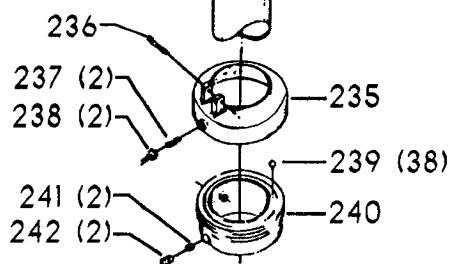
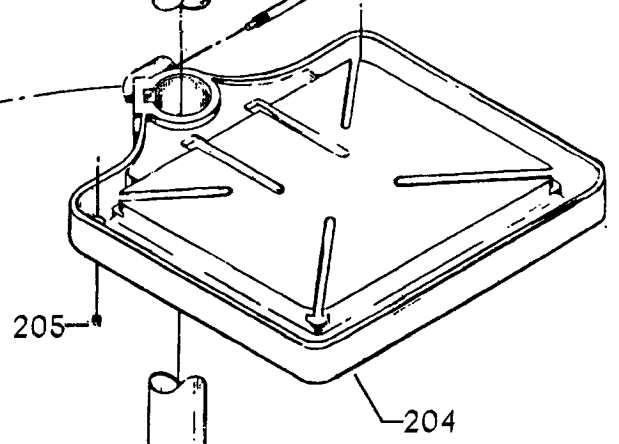
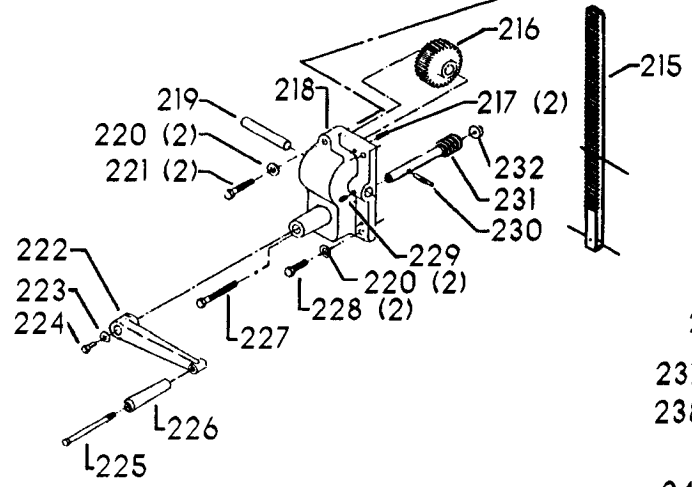
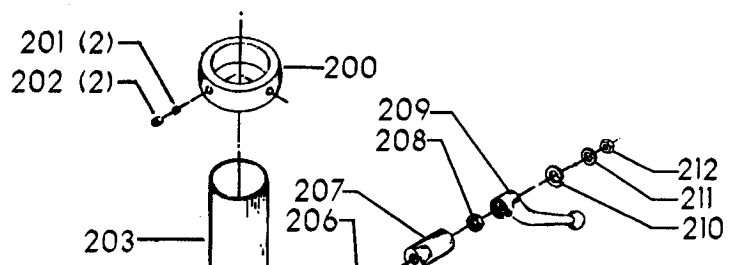


# REPLACEMENT PARTS

<u>REF NO</u>	<u>PART NUMBER</u>	<u>DESCRIPTION</u>
100	1200292	MOTOR PULLEY ASSY, INCL:
101	0906480	RETAINING RING
102	1200205	ROD
103	901-04-150-6227	1/4-20 X 3/16" HEX SOC SET SCREW
104	1200210	NOTCHED ROD
105	1200209	WASHER
106	1200202	PLATE
107	901-03-010-3306	#08-32 X 3/8" HEX SOC HD SCREW
108	1200207	SPRING
109	1200208	RETAINER
*	1200886	SPINDLE PULLEY ASSY, (DIRECT DRIVE), CONST OF:
110	1200300	PULLEY RETAINER ASSY, INCL:
111	901-04-150-6227	1/4-20 X 3/16" HEX SOC SET SCREW
112	1200245	ECCENTRIC
113	1200250	FIXED PULLEY ASSY, INCL:
114	901-04-150-1185	1/4-20 X 5/16" HEX SOC SET SCREW
115	1200280	SHAFT
116	1200255	ROD
117	920-04-021-6559	BALL BEARING
118	1200204	SPACER
119	0906484	WASHER
120	0906467	RING
*	1200284	QUILL ASSY, CONST OF:
122	904-10-181-2409	COLLAR
123	901-04-150-0217	5/16-18 X 1/2" HEX SOC SET SCREW
124	920-04-020-5348	BALL BEARING
125	402-06-077-5001	QUILL
126	920-07-080-5334	BALL BEARING
127	401-04-036-5001	FLINGER COLLAR
128	1200302	SPINDLE
129	904-07-061-2942	CUSHION RING
130	902-01-010-1300	5/16-18 HEX NUT
131	904-01-010-1620	FLAT WASHER
*	1200223	STOP ASSY, CONST OF:
132	401-04-112-5001	SPECIAL BOLT
133	402-06-014-5009	BRACKET
134	402-12-068-5001	KNURLED NUT ( <i>Current Models Only</i> )
134A	901-04-260-1534	#06-32 X 1/4" THUMB SCREW ( <i>Early Models Only</i> )
134B	402-04-012-5001	HOLDING NUT ( <i>Early Models Only</i> )
134C	402-04-088-5005	MICRO NUT ( <i>Early Models Only</i> )
135	904-01-103-1317	FLAT WASHER ( <i>Current Models Only</i> )
136	402-07-108-5004	ROD
137	902-01-020-5433	3/8-16 JAM NUT
140	901-04-150-0206	5/16-18 X 5/16" HEX SOC SET SCREW
141	901-02-010-0912	1/4-20 X 4 1/2" ROUND HD SCREW
142	402-07-072-5001	COVER PLATE
143	904-02-020-2093	1/4" LOCK WASHER
144	902-01-120-1034	1/4-20 HEX NUT
150	1200256	BELT
*	NOT SHOWN ASSEMBLED	



20-660 TILT TABLE



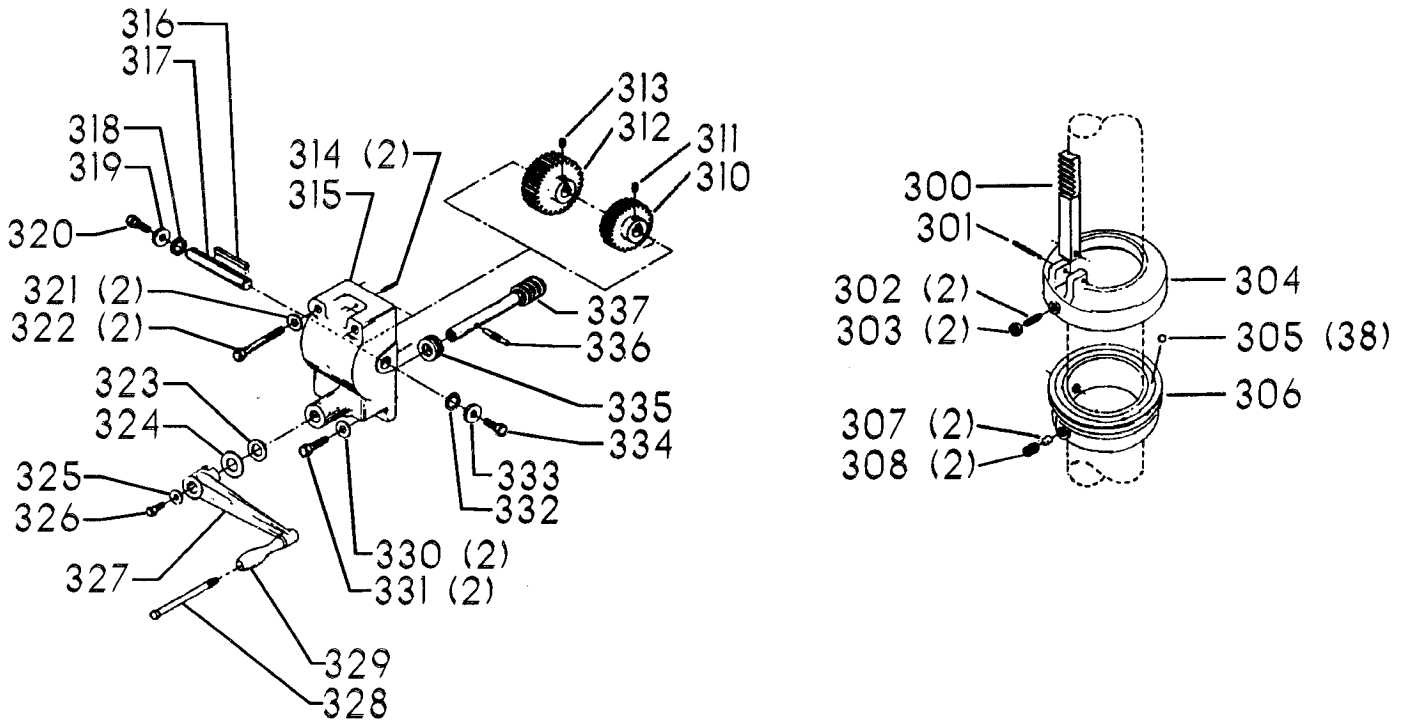
# REPLACEMENT PARTS

REF NO	PART NUMBER	DESCRIPTION	REF NO	PART NUMBER	DESCRIPTION
200	401-04-089-5001	STOP COLLAR	235	401-04-089-5002	SUPPORT
201	905-04-071-4480	LOCK PLUG	236	905-01-010-2730	3/16" X 1 1/2" SPRING PIN
202	901-04-190-6228	1/2-13 X 1/2" HEX SOC SET SCREW	237	901-04-380-4562	GUIDE SCREW
203	20-625	3-3/4 X 33" COLUMN (BENCH MODEL)	238	902-01-020-5435	5/16-18 JAM NUT
203	20-626	3-3/4 X 42" COLUMN (BENCH MODEL)	239	921-01-010-0031	STEEL BALL
203	20-627	3-3/4 X 66" COLUMN (FLOOR MODEL)	240	401-04-089-5003	SUPPORT
203	20-628	3-3/4 X 78" COLUMN (FLOOR MODEL)	241	905-04-071-4480	LOCK PLUG
204	20-650	PRODUCTION TABLE, INCL:	242	901-04-190-6228	1/2-13 X 1/2" HEX SOC SET SCREW
205	906-00-000-2440	PIPE PLUG	243	401-04-005-5002	BASE
206	952-01-141-3285	STUD	244	401-04-027-5001	U-BOLT
207	904-10-131-5359	LOCKING PLUG	245	904-01-032-2476	11/16" FLAT WASHER
208	902-01-210-1084	5/8-11 LOCK NUT	246	902-01-010-1282	1/2-13 HEX NUT
209	402-07-027-5002	LOCK LEVER	247	402-07-020-5006	CAP FOR PAD
210	904-02-010-1713	LOCK WASHER	248	402-07-089-5005	2 X 2 X 5/16" PAD
211	904-01-031-5651	5/8" FLAT WASHER	*	26-660	TILT TABLE, CONST OF:
212	902-01-020-9103	5/8-11 JAM NUT	275	401-04-091-5007	TILT TABLE
215	1202149	GEAR RACK	276	401-04-314-5005	BRACKET ASSY, INCL:
216	1202148	GEAR	277	401-04-111-5001	STUD
217	905-01-010-5075	1/4" X 3/4" SPRING PIN	278	951-02-011-4326	TILT SCALE
218	402-06-013-5002	GEAR BOX	279	901-06-450-2250	#04 X 3/16" ROUND HD SCREW
219	1202150	SHAFT	280	952-01-141-3285	STUD
220	904-01-010-1620	FLAT WASHER	281	904-10-131-5359	LOCKING PLUG
221	901-01-060-0609	5/16-18 X 1 1/2" HEX HD SCREW	282	902-01-020-9103	5/8-11 JAM NUT
222	930-05-071-5918	CRANK	283	402-07-027-5002	LOCK LEVER
223	904-01-031-4993	FLAT WASHER	284	904-01-031-5651	5/8" FLAT WASHER
224	901-01-060-0651	1/4-28 X 1/2" HEX HD SCREW	285	904-02-010-1713	LOCK WASHER
225	422-04-071-5002	PIN	286	902-01-210-1084	5/8-11 LOCK NUT
226	1086395	HANDLE	287	904-01-031-5654	FLAT WASHER
227	901-01-060-5770	5/16-18 X 2 1/4" HEX HD SCREW	288	902-01-201-2594	7/8-8 HEX NUT
228	901-01-060-0649	5/16-18 X 1" HEX HD SCREW	289	904-01-031-2901	WASHER
229	901-04-150-0205	5/16-18 X 1/4" HEX SOC SET SCREW	290	902-01-020-1226	5/8-18 JAM NUT
230	905-02-050-6862	1/4" X 1 1/4" GROOVE PIN	291	401-04-071-5003	LOCKING PIN, INCL:
231	1202147	WORM GEAR	292	902-01-010-1232	7/16-20 JAM NUT
232	1202154	THRUST BEARING			

\* NOT SHOWN ASSEMBLED

# REPLACEMENT PARTS

ITEMS ILLUSTRATED BELOW FOR USE WITH EARLY MODELS ONLY



REF NO	PART NUMBER	DESCRIPTION	REF NO	PART NUMBER	DESCRIPTION
300	402-06-051-5005	RACK	319	904-10-031-5381	WASHER
301	905-01-010-2730	3/16" X 1 1/2" SPRING PIN	320	901-01-060-0663	5/16-24 X 3/4" HEX HD SCREW
302	901-04-380-4562	GUIDE SCREW	321	904-01-010-1620	FLAT WASHER
303	902-01-020-5435	5/16-18 JAM NUT	322	901-01-060-5770	5/16-18 X 2 1/4" HEX HD SCREW
304	401-04-089-5002	SUPPORT	323	904-07-071-4214	5/8" WASHER
305	921-01-010-0031	STEEL BALL	324	904-01-010-1622	FLAT WASHER
306	401-04-089-5003	SUPPORT	325	904-01-031-4993	FLAT WASHER
307	905-04-071-4480	LOCK PLUG	326	901-01-060-0651	1/4-28 X 1/2" HEX HD SCREW
308	901-04-190-6228	1/2-13 X 1/2" HEX SOC SET SCREW	327	439-01-067-5002	CRANK
310	401-04-351-5002	GEAR ASSY, INCL:	328	422-04-071-5002	PIN
311	901-04-150-0208	1/4-20 X 1/4" HEX SOC SET SCREW	329	1086395	HANDLE
312	401-04-351-5003	GEAR ASSY, INCL:	330	904-01-010-1620	FLAT WASHER
313	901-04-150-0208	1/4-20 X 1/4" HEX SOC SET SCREW	331	901-01-060-0649	5/16-18 X 1" HEX HD SCREW
314	905-02-010-5030	5/32" X 3/4" GROOVE PIN	332	904-07-071-4230	5/8" WASHER
315	402-06-013-5001	HOUSING	333	904-10-031-5381	WASHER
316	927-03-010-2668	1 3/4" KEY	334	901-01-060-0663	5/16-24 X 3/4" HEX HD SCREW
317	401-04-106-5007	GEAR SHAFT	335	920-52-010-7291	THRUST BEARING
318	904-07-071-4230	5/8" WASHER	336	905-02-050-6862	1/4" X 1 1/4" GROOVE PIN
			337	401-04-051-5002	WORM GEAR

## STANDARD SAFETY EQUIPMENT

In order to promote tool safety, Delta International Machinery Corp. strictly enforces the policy of repairing or replacing any damaged or missing standard safety equipment on machines presented to Delta Authorized Service Center for service/repairs. Any product which is presented to a Delta Authorized Service Center for repairs which contains missing or damaged standard safety equipment will have that equipment repaired or replaced and the customer will be charged for any such service/repairs. Customers can avoid such charges only if the missing safety component is supplied to the service center at the time of repair.

*This parts list is provided to aid in obtaining service parts. Copies of the instruction and maintenance literature can be obtained through the Delta Technical Publications Department or through your local service outlet.*