

REPLACEMENT PARTS

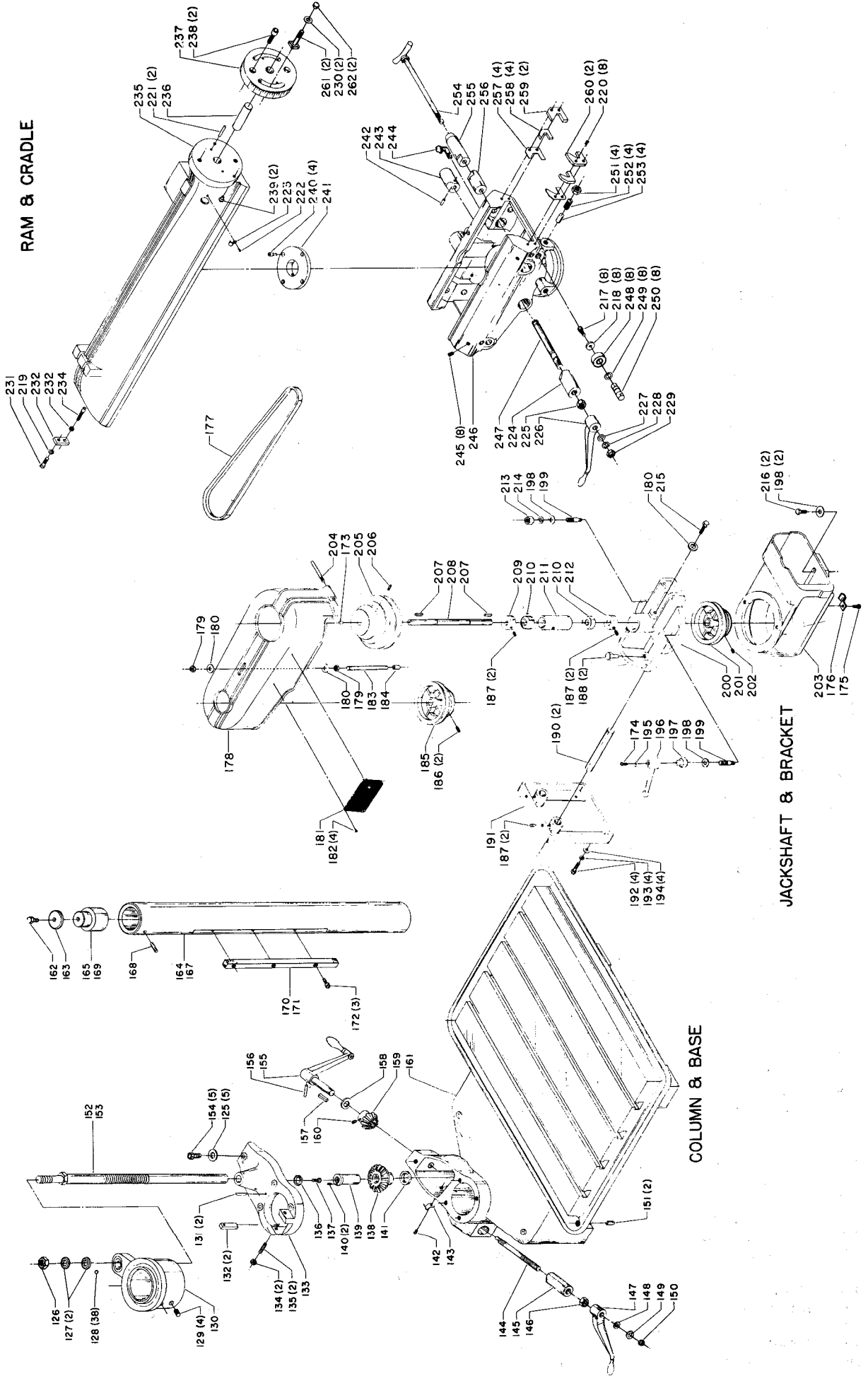
Ref. No.	Part No.	Description	Ref. No.	Part No.	Description
1	926-04-063-1058	Pulley, Incl:	60	926-04-063-1058	Pulley, Incl:
2	401-01-063-5001	Insert	61	401-01-063-5001	Insert
3	See Note "A"	Bearing	62	See Note "A"	Bearing
4	See Note "A"	Bearing	63	See Note "A"	Bearing
5	401-01-C79-5002	Bottom Bearing Holder	64	401-01-079-5002	Bottom Bearing Holder
6	49-105	V-Belt	65	49-105	V-Belt
7	901-01-060-0626	1/4-20 X 3/4" Hex Hd. Scr.	66	901-01-060-0626	1/4-20 X 3/4" Hex Hd. Scr.
8	904-02-020-1702	1/4" Lockwasher	67	904-02-020-1702	1/4" Lockwasher
9	401-01-379-5001	Top Bearing Holder, Incl:	68	401-01-379-5001	Top Bearing Holder, incl:
10	907-00-000-2486	Oiler	69	907-00-000-2486	Oiler
11	905-02-010-6861	3/16 X 5/8" Groove Pin	70	905-02-010-6861	3/16 X 5/8" Groove Pin
12	928-07-010-7351	Bearing Spring Washer	71	928-07-010-7351	Bearing Spring Washer
13	Cannot Furnish	Head Casting	72	951-01-021-4307	Pointer
14	951-01-021-4307	Pointer	73	901-02-016-0558	#8-32 X 1/4" Rd. Hd. Scr.
15	901-02-010-0558	#8-32 X 1/4" Rd. Hd. Scr.	74	901-01-060-0605	5/16-18 X 1/2" Hex Hd. Scr.
*	401-01-331-5001	Cover Ass'y., Const. Of:	75	419-01-379-0001	Collar, Incl:
16	928-08-001-5338	Spring	76	901-04-150-0208	1/4-20 X 1/4" Soc. Hd. Set Scr.
17	401-01-031-5001	Spring Housing	77	15-838	Spanner Wrench
18	904-10-051-5519	Washer	78	955-02-040-1500	Knob
19	901-01-060-0605	5/16-18 X 1/2" Hex Hd. Scr.	79	905-04-081-4471	Spoke
20	419-01-379-0001	Collar, Including:	80	401-01-107-5001	Hub
21	901-04-150-0208	1/4-20 X 1/4" Soc. Hd. Set Scr.	81	904-10-031-5381	21/64 X 15/16 X 1/8" Washer
22	952-01-071-2375	Locking Plug	82	927-03-010-2696	3/16 X 3/16 X 5/16" Straight Key
23	904-10-131-5354	Locking Plug	83	952-01-121-3274	Spring Pin
24	904-01-010-1615	13/32 X 13/16 X 1/16" Washer	84	Cannot Furnish	Nameplate
25	Cannot Furnish	Locking Handle	85	901-06-450-2250	#4 X 3/16" Drive Screw
26	15-838	Spanner Wrench	86	Cannot Furnish	Wire Assembly
27	401-01-385-5001	Spindle (1/2" Key Chuck)	87	429-01-017-0001	Switch
28	401-01-385-5002	Spindle (#1 Morse Taper)	88	438-01-008-0003	Switch Cover
29	401-01-385-5003	Spindle (#2 Morse Taper)	89	901-02-010-0553	#6-32 X 1/2" Rd. Hd. Scr.
30	401-01-106-5001	Pinion Shaft	90	Cannot Furnish	Wire Assembly
31	931-01-011-4796	Knob	91	920-04-010-7277	Bearing
32	905-04-081-4471	Spoke	92	904-07-060-3774	1-13/16 X 2-1/16 X 1/8" Gasket
33	401-01-107-5001	Hub	93	401-02-112-5002	1/4-20 X 2-1/4" Sq. Hd. Scr.
34	904-10-031-5381	21/64 X 15/16 X 1/8" Washer	94	902-01-120-1034	1/4"-20 Hex Nut
35	931-02-991-5902	Collar, Incl:	95	902-08-061-3091	Depth Gauge Stop Nut
36	901-04-150-6227	1/4-20 X 3/16" Soc. Hd. Set Scr.	96	902-01-020-5433	3/8"-16 Hex Jam Nut
37	927-03-010-2696	3/16 X 3/16 X 5/16" Straight Key	97	15-830	Chuck, Incl:
38	952-01-121-3274	Spring Pin	98	955-03-081-3708	Chuck Key
39	Nameplate	By Request Only	99	439-01-057-5002	Head Casting
40	901-06-450-2250	#4 X 3/16" Drive Screw	100	401-02-079-5001	Pinion Retainer
41	Cannot Furnish	Wire Assembly	101	901-03-040-8015	1/4-20 X 1/2" Button Hd. Cap Scr.
42	429-01-017-0001	Switch	102	928-08-001-5337	Spring
43	438-01-008-0003	Switch Cover	103	401-04-031-5001	Spring Housing
44	901-02-010-0553	#6-32 X 1/2" Rd. Hd. Scr.	104	401-02-037-5001	Depth Vernier Dial
45	Cannot Furnish	Wire Assembly	105	904-05-030-6669	"D" Washer
46	401-01-105-5001	Oil Splash Guard Sleeve	106	931-03-051-1621	Hand Knob
47	920-04-010-7277	Bearing	107	904-01-010-1620	11/32 X 11/16 X 1/16" Washer
48	401-01-077-5001	Quill	108	401-02-105-5001	Oil Splash Guard Sleeve
49	904-07-060-3774	1-13/16 X 2-1/16 X 1/8" Gasket	109	401-02-077-5001	Quill
50	401-02-112-5002	1/4-20 X 2-1/4" Sq. Hd. Scr.	110	401-02-385-5001	Spindle (1/2 Key Chuck)
51	902-01-120-1034	1/4"-20 Hex Nut	111	401-02-385-5002	Spindle (#1 Morse Taper)
52	902-08-061-3091	Depth Gauge Stop Nut	112	401-02-385-5003	Spindle (#2 Morse Taper)
53	904-07-011-4218	21/32 X 1 X 1/8" Fiber Spacer	113	401-02-106-5001	Pinion Shaft
54	401-01-108-5001	Depth Gauge	114	905-04-071-4485	Plug
55	401-01-314-5001	Stop Collar Ass'y.	115	901-02-010-0509	1/4-20 X 1/2" Rd. Hd. Scr.
56	904-02-020-1704	3/8" Lockwasher	116	904-01-071-4975	Washer
57	902-01-020-5433	3/8"-16 Hex Jam Nut	117	901-09-081-5210	Quill Adjusting Screw
58	15-830	Chuck, Incl:	118	931-03-991-3481	Hand Knob w/Stud
59	1200490	Chuck Key	119	401-02-312-5001	Depth Stop
			120	901-04-330-7612	Hand Screw
			121	401-02-108-5001	Depth Gauge
			122	401-02-089-5001	Stop Collar
			123	904-03-02C-1789	3/8" Internal Tooth Lockwasher
			124	952-01-121-3274	Spring Pin

SERVICE NOTES:

* NOT SHOWN ASSEMBLED

A Use Assembly Number 926-04-063-1058 (Ref. #1) Which Includes Both The Spindle Pulley Assembly and The Bearing Assembly.

RAM & CRADLE



JACKSHAFT & BRACKET

COLUMN & BASE

REPLACEMENT PARTS

Ref. No.	Part No.	Description	Ref. No.	Part No.	Description
125	904-01-010-1620	11/32 X 11/16 X 1/16" Washer	196	931-04-011-1622	Handle
126	902-01-010-9104	3/4"-16 Hex Jam Nut	197	400-00-001-0001	Lock Nut
127	904-10-051-5515	Flange Washer	198	904-01-010-1636	17/32 X 1-1/16" X .095" Washer
128	921-01-010-0031	3/8" Steel Ball	199	952-01-111-4859	Stud
129	901-04-150-1123	1/2-13 X 5/8" Soc. Hd. Set Scr.	200	439-01-014-5005	Bracket
130	439-01-089-5001	Column Collar	201	41-773	Pulley, Incl:
131	905-02-010-7105	1/4 X 1-1/4" Groove Pin	202	901-04-150-0202	1/4-20 X 1/2" Soc. Hd. Set Scr.
132	439-01-055-5003	Key Block	203	439-01-014-5003	Bracket
133	439-01-331-5001	Cover, Incl:	204	Cannot Furnish	Hinge Pin
134	902-01-020-1270	3/8"-24 Hex Jam Nut	205	51-033	Pulley, Incl:
135	Cannot Furnish	3/8-24 X 1-1/4" Soc. Hd. Set Scr.	206	901-04-150-0202	1/4-20 X 1/2" Soc. Hd. Set Scr.
136	904-10-051-5519	Washer	207	927-03-010-2662	3/16 X 3/16 X 3/4" Straight Key
137	901-01-060-0606	5/16-18 X 5/8" Hex Hd. Scr.	208	439-01-106-5001	Spindle
138	439-01-351-5003	Gear, Incl:	209	904-10-181-2407	Collar
139	904-10-121-5352	Bushing	210	920-04-020-5384	Bearing
140	901-04-150-0278	#10-32 X 1/2" Soc. Hd. Set Scr.	211	904-10-251-2426	Spacer
141	904-01-031-4977	1-5/32 X 1-5/8 X 1/8" Washer	212	904-10-181-2406	Collar
142	901-02-010-7562	#10-32 X 5/16" Rd. Hd. Scr.	213	902-01-020-1266	1/2"-13 Hex Jam Nut
143	429-01-004-0005	Cable Clip	214	904-02-020-1705	1/2" Lockwasher
144	951-01-140-3258	Locking Stud	215	901-01-060-0642	3/8-16 X 1" Hex Hd. Scr.
145	904-10-131-5359	Locking Block	216	901-01-060-0672	1/2-20 X 1-1/4" Hex Hd. Ser.
146	902-01-020-9103	5/8"-11 Hex Jam Nut	217	901-01-060-0605	5/16-18 X 1/2" Hex Hd. Scr.
147	931-04-011-1646	Locking Handle	218	904-10-031-5381	21/64 X 15/16 X 1/8" Washer
148	904-01-031-5651	5/8 X 1-1/8 X 3/32" Washer	219	904-02-020-1704	3/8" Lockwasher
149	904-02-010-1713	5/8" Lockwasher	220	901-02-010-0509	1/4-20 X 1/2" Rd. Hd. Scr.
150	902-01-210-1084	5/8"-11 Hex Lock Nut	221	905-02-010-7105	1/4 X 1-1/4" Groove Pin
151	906-00-000-2437	1/2" Pipe Plug	222	901-02-010-7562	#10-32 X 5/16" Rd. Hd. Scr.
152	439-01-412-5001	Raising Screw for 30" Column	223	429-01-004-0005	Cable Clip
153	439-01-412-5002	Raising Screw for 42" Column	224	904-10-131-5359	Locking Block
154	901-01-060-0609	5/16-18 X 1-1/2" Hex Hd. Scr.	225	902-01-020-9103	5/8"-11 Hex Jam Nut
155	439-01-367-5001	Crank, Incl:	226	931-04-011-1646	Locking Handle
156	905-01-010-2712	1/4 X 1-1/4" Roll Pin	227	904-01-031-5651	5/8 X 1-1/8" X 3/32" Washer
157	927-03-010-2695	3/16 X 3/16 X 1" Straight Key	228	904-02-010-1713	5/8" Lockwasher
158	920-76-031-5098	Washer	229	902-01-210-1084	5/8-11 Hex Lock Nut
159	439-01-351-5002	Gear, Incl:	230	904-01-010-1636	17/32 X 1-1/16" X .095" Washer
160	901-04-150-0206	5/16-18 X 5/16" Soc. Hd. Set Scr.	231	901-02-050-0705	3/8-16 X 1" Fil. Hd. Scr.
161	439-01-005-5001	Base	232	439-01-088-5001	Ram Stop
162	901-01-101-1568	1/2-20 X 3/4" Hex Hd. Scr.	233	902-01-020-5435	5/16"-18 Hex Jam Nut
163	904-10-051-5512	Flange Washer	234	901-03-010-0770	5/16-18 X 1-1/4" Soc. Hd. Scr.
164	439-01-330-5001	42" Column, Incl:	235	439-01-084-5001	Ram
165	Cannot Furnish	Alignment Pin	236	905-04-041-4498	Guide Pin
166	905-01-010-2720	1/4 X 1" Roll Pin	237	439-01-037-5001	Flange
167	Cannot Furnish	30" Column, Incl:	238	901-03-101-5280	Soc. Hd. Cap Scr.
168	905-01-010-2720	1/4 X 1" Roll Pin	239	424-03-016-0001	Bumper
169	Cannot Furnish	Alignment Pin	240	901-03-010-3350	5/16-18 X 1/2" Soc. Hd. Scr.
170	439-01-055-5001	Column Guide Key for 42" Column	241	439-01-103-5001	Flange
171	Cannot Furnish	Column Guide Key for 30" Column	242	905-01-010-6714	5/32 X 1-1/4" Roll Pin
172	901-02-050-5640	5/16-24 X 5/8" Fil. Hd. Scr.	243	439-01-406-5001	Locking Pin
173	907-00-000-2486	Oiler	244	907-00-000-2521	Oil Cup
174	901-02-010-0509	1/4-20 X 1/2" Rd. Hd. Scr.	245	901-04-150-1111	3/8-16 X 3/8" Soc. Hd. Set Scr.
175	901-02-010-7562	#10-32 X 5/16" Rd. Hd. Scr.	246	439-01-089-5002	Cradle
176	429-01-004-0005	Cable Clip	247	439-01-406-5001	Locking Stud
177	49-287	V-Belt	248	920-04-020-5335	Bearing
178	439-01-354-5001	Guard, Incl:	249	904-01-031-4967	Spacer
179	902-01-020-5433	3/8"-16 Hex Jam Nut	250	439-01-042-5001	Eccentric Stud
180	904-01-010-1606	7/16 X 1 X 5/64" Washer	251	902-01-020-1226	5/8"-18 Hex Jam Nut
181	960-04-011-8315	Speed Chart	252	901-09-021-5219	Headless Set Scr.
182	901-06-450-2250	#2 X 3/16" Drive Screw	253	905-04-071-4482	Brass Plug
183	905-04-081-4464	Stud	254	931-05-991-4777	Ram Locking Stud
184	932-01-020-2864	Bumper	255	439-01-068-5001	Locking Plug
185	41-772	Pulley, Incl:	256	952-01-071-2379	Locking Plug
186	901-04-150-0202	1/4-20 X 1/2" Soc. Hd. Set Scr.	257	439-01-079-5001	Retainer
187	901-04-150-0231	5/16-18 X 3/8" Soc. Hd. Set Scr.	258	439-01-113-5001	Felt Wiper
188	Cannot Furnish	1/2-20 X 3/4" Hex Hd. Scr.	259	439-01-060-5001	Holder
190	Cannot Furnish	Pin	260	439-01-060-5002	Holder
191	439-01-072-5002	Motor Plate	261	901-09-101-5283	Angle Hd. Lock Stud
192	901-01-060-0649	5/16-18 X 1" Hex Hd. Scr.	262	902-09-010-1255	1/2"-13 Acorn Nut
193	904-02-020-2086	5/16" Lockwasher			
194	904-01-010-1605	3/8 X 7/8 X 1/16" Washer			
195	904-01-010-1614	9/32 X 5/8 X 1/16" Washer			