

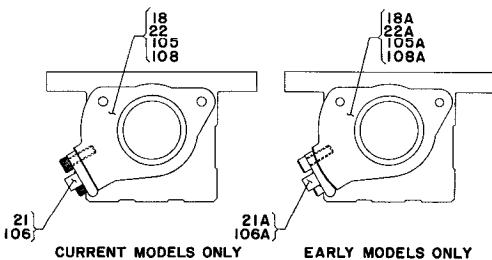
**22-608 NEWMAN WHITNEY CUTTERHEAD
(SEE SERVICE NOTE F)**

REPLACEMENT PARTS

REF. NO.	PART NO.	DESCRIPTION	REF. NO.	PART NO.	DESCRIPTION
1	428-08-121-0001	Dust Collector	85	428-07-134-0007	Outfeed Roller Sprocket - Outboard
2	1246015	(DIN 933) M6 x 12mm Hex Hd Scr	84	428-07-104-0002	Washer
3	904-01-010-1604	1/4" Flat Washer	85	1246049	(DIN 963) M8 x 25mm Slot Flat Hd Scr
4	428-08-031-0001	Cover	86	428-08-323-0002	Chain (62 Pitches), Incl: (See Service Note C)
5	1085187	Warning Label	86A	428-07-135-0007	Master Link
6	428-08-072-0003	Chip Deflector Plate	87	428-07-134-0006	Outfeed Roller Sprocket - Inboard
7	1246045	(DIN 84) M6 x 10mm Slot Cheese Hd Scr	88	428-08-323-0001	Chain (69 Pitches), Incl: (See Service Note C)
8	1330433	Warning Label	88A	428-07-135-0003	Master Link
9	428-08-031-0004	Cover	88B	428-07-135-0005	Offset Link
10	1246052	(DIN 912) M10 x 35mm Soc Hd Scr	89	428-08-134-0003	Outfeed Roller Sprocket - Inboard
*	428-08-312-0001	Cutterhead Assy, (For RC-630 Models Only), Const of:	90	428-07-134-0005	Infeed Roller Sprocket
11	1330667	(DIN 933) M12 x 30mm Hex Hd Screw	91	22-608	Newman Whitney Cutterhead Assy, (For RC-63N Models Only), Incl:
12	428-07-104-0009	Washer	92	1246069	(DIN 471) 40e Ext Retaining Ring
13	428-07-130-0001	Cutterhead Pulley	93	428-07-017-0001	Bearing
14	1246068	(DIN 472) 80i Int Retaining Ring	94	428-08-010-0002	Bearing Block - Right
15	428-07-017-0001	Bearing	95	1246040	(DIN 913) M10 x 10mm Hex Soc Set Scr
16	428-08-010-0003	Bearing Block - Left	96	428-07-112-0004	Adjusting Screw
16A	1330693	Gasket (See Service Note B)	97	428-07-122-0004	Spring
17	428-08-045-0001	Filler	98	428-07-036-0003	Deflector Ring
18	1330471	Yoke - Left (Current Models Only, See Service Note A)	99	1340251	Knife Segment - Short Carbide (Right End) (Current Models Only, See Service Note D)
18A	428-08-102-0002	Yoke - Left (Early Models Only, See Service Note A)	99A	428-07-065-0003	Knife Segment - Short Carbide (Right End) (Early Models Only, See Service Note D)
19	1246053	(DIN 912) M8 x 25mm Soc Hd Scr	100	1340250	Full Knife Segment (Current Models Only, See Service Note D)
20	428-08-071-0001	Pin	100A	428-07-065-0001	Full Knife Segment (Early Models Only, See Service Note D)
21	1330472	Pressure Bar (Current Models Only, See Service Note A)	101	428-07-112-0023	Special Torx Screw (See Service Note E)
21A	428-07-004-0002	Pressure Bar (Early Models Only, See Service Note A)	102	1340452	Knife Segment-Short Jack (Left End) (Current Models Only, See Service Note D)
22	1330470	Yoke - Right (Current Models Only, See Service Note A)	102A	428-07-065-0002	Knife Segment - Short Jack (Left End) (Early Models Only, See Service Note D)
22A	428-08-102-0001	Yoke - Right (Early Models Only, See Service Note A)	103	428-07-079-0003	Key
23	428-07-112-0001	Locking Screw	104	428-08-045-0001	Filler
24	428-07-004-0001	Knife Lock Bar	105	1330470	Yoke - Right (Current Models Only, See Service Note A)
25	22-606	Set of Four (4) Knives	105A	428-08-102-0001	Yoke - Right (Early Models Only, See Service Note A)
26	428-07-079-0003	Key	106	1330472	Pressure Bar (Current Models Only, See Service Note A)
27	428-07-122-0001	Spring	106A	428-07-004-0002	Pressure Bar (Early Models Only, See Service Note A)
28	428-07-012-0001	Cutterhead	107	428-08-071-0001	Pin
29	428-07-112-0004	Adjusting Screw	108	1330471	Yoke - Left (Current Models Only, See Service Note A)
30	428-07-122-0004	Spring	108A	428-08-102-0002	Yoke - Left (Early Models Only, See Service Note A)
31	1246040	(DIN 913) M10 x 10mm Hex Soc Set Scr	109	1246053	(DIN 912) M8 x 25mm Soc Hd Screw
32	1246069	(DIN 471) 40e Ext Retaining Ring	110	428-08-010-0003	Bearing Block - Left
33	428-08-010-0002	Bearing Block - Right	111	1246068	(DIN 472) 80i Int Retaining Ring
34	1246052	(DIN 912) M10 x 35mm Soc Hd Scr	112	428-07-130-0001	Cutterhead Pulley
35	1243360	(DIN 7980) Ø10mm Lockwasher	113	428-07-104-0009	Washer
36	1246061	(DIN 1481) Ø8 x 36mm Roll Pin	114	1330667	(DIN 933) M12 x 30mm Hex Hd Screw
37	1246057	(DIN 912) M12 x 35mm Soc Hd Scr	115	428-08-084-0001	Belt Tightner
38	1246065	(DIN 7980) Ø13mm Lockwasher	116	428-08-071-0003	Pin
39	428-06-112-0001	Adjusting Nut	117	1243496	(DIN 934) M10 Hex Nut
40	428-07-122-0002	Spring	118	438-02-314-1008	Motor - 10 HP, 200-220/440V, 60 HZ, 3 PH (For RC-630 Only)
40A	1330696	Spring	119	438-02-314-1029	Motor - 15 HP, 200-220/440V, 60 HZ, 3 PH (For RC-63N Only)
41	1246041	(DIN 914) M8 x 15mm Hex Soc Set Scr	120	1243496	(DIN 934) M10 Hex Nut
42	1243549	(DIN 914) M6 x 12mm Hex Soc Set Scr	121	1243502	(DIN 125) Ø10mm Flat Washer
43	428-08-089-0010	Left Support	122	1246099	(DIN 921) M10 x 50mm Hex Hd Scr
44	428-07-010-0005	Block w/Bushing	123	428-07-005-0002	Motor Plate (For RC-630 Only)
45	428-08-080-0001	Outfeed Roller, Outboard	124	428-08-072-0004	Motor Plate (For RC-63N Only)
46	428-07-079-0002	Key	125	428-07-106-0006	Motor Base Shaft
47	1246044	(DIN 913) M8 x 30mm Hex Soc Set Scr	126	1246036	(DIN 933) M10 x 60mm Hex Hd Scr
48	1243398	(DIN 934) M8 Hex Nut	127	1243502	(DIN 125) Ø10mm Flat Washer
49	428-07-088-0002	Limitter	128	428-07-104-0017	Washer
50	1246056	(DIN 912) M6 x 12mm Soc Hd Scr	129	1246198	(DIN 912) M10 x 60mm Soc Hd Scr
51	428-07-010-0003	Right Block w/Bushing	130	428-07-133-0001	V-Belt, 512mm O.C.
52	428-08-079-0002	Key	131	428-07-133-0002	Matched Set of Three (3) V-Belts
53	428-08-080-0002	Outfeed Roller, Inboard	132	428-08-130-0001	Motor Pulley
54	428-07-079-0001	Key	133	428-07-350-0001	Knife Gage, Incl:
55	428-07-010-0004	Block w/Bushing (For RC-630 Models Only)	134	1246185	(DIN 1481) Ø5 x 40mm Roll Pin
56	428-07-312-0002	Block w/Bushing (For RC-63N Models Only)	135	428-07-112-0022	Adjusting Screw (Early Models Only)
56A	1330150	Infeed Roller	136	1243476	(DIN 934) M12 Hex Nut
57	428-07-080-0001	Key	140	1330270	Gage Block
58	428-07-079-0002	Gasket (See Service Note B)	**	428-06-101-0001	13 x 10mm Wrench
59	428-08-116-0001	Chipbreaker Adjusting Screw	**	428-07-101-0001	9/16 x 1/2" Wrench
60	428-07-112-0021	Chipbreaker Adjusting Screw	**	428-07-101-0002	6mm Allen Wrench
61	428-07-122-0005	Spring	**	422-29-101-0002	4mm Allen Wrench
62	1243320	(DIN 912) M10 x 50mm Soc Hd Scr	*		NOT SHOWN ASSEMBLED
63	428-08-089-0005	Spring Support	**		NOT SHOWN
64	1243398	(DIN 934) M8 Hex Nut			
65	1330005	Connecting Rod Support			
66	1330004	Connecting Rod			
67	1330003	Chipbreaker Segment			
68	1243398	(DIN 934) M8 Hex Nut			
69	1246044	(DIN 913) M8 x 30mm Hex Soc Set Scr			
70	428-08-036-0001	Chipbreaker Segment			
71	428-08-106-0001	Chipbreaker Shaft			
72	428-08-104-0003	Spacer			
73	428-07-108-0002	Support Rod			
74	428-06-047-0001	Anti-Kickback Finger			
75	428-06-104-0006	Washer			
76	428-07-108-0003	Kickback Rod			
77	428-07-017-0002	Bushing			
78	428-07-086-0003	Stop			
79	428-07-112-0003	Adjustment Nut			
80	428-07-122-0003	Spring			
81	428-08-089-0011	Right Support			
82	428-07-023-0004	Chain (35 Pitches), Incl: (See Service Note C)			
82A	428-07-135-0007	Master Link			
82B	428-07-135-0001	Offset Link			

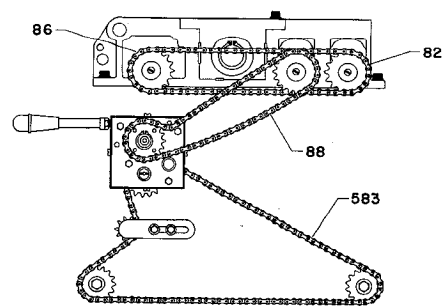
SERVICE NOTES:

A - See diagram below for correct part identification:



B - Gasket is sold at one (1) length which must be cut to correct length and mounted with contact cement.

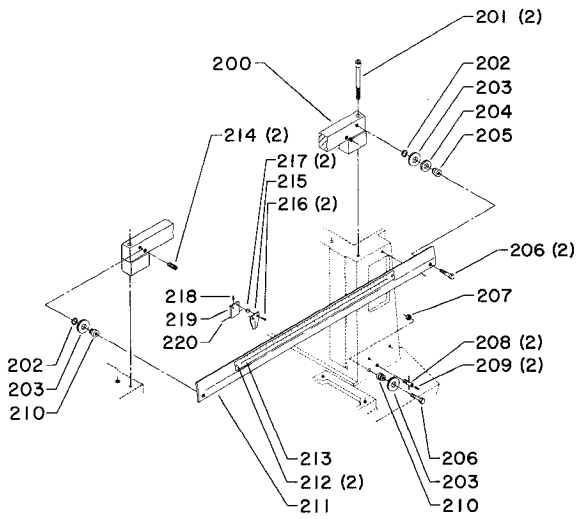
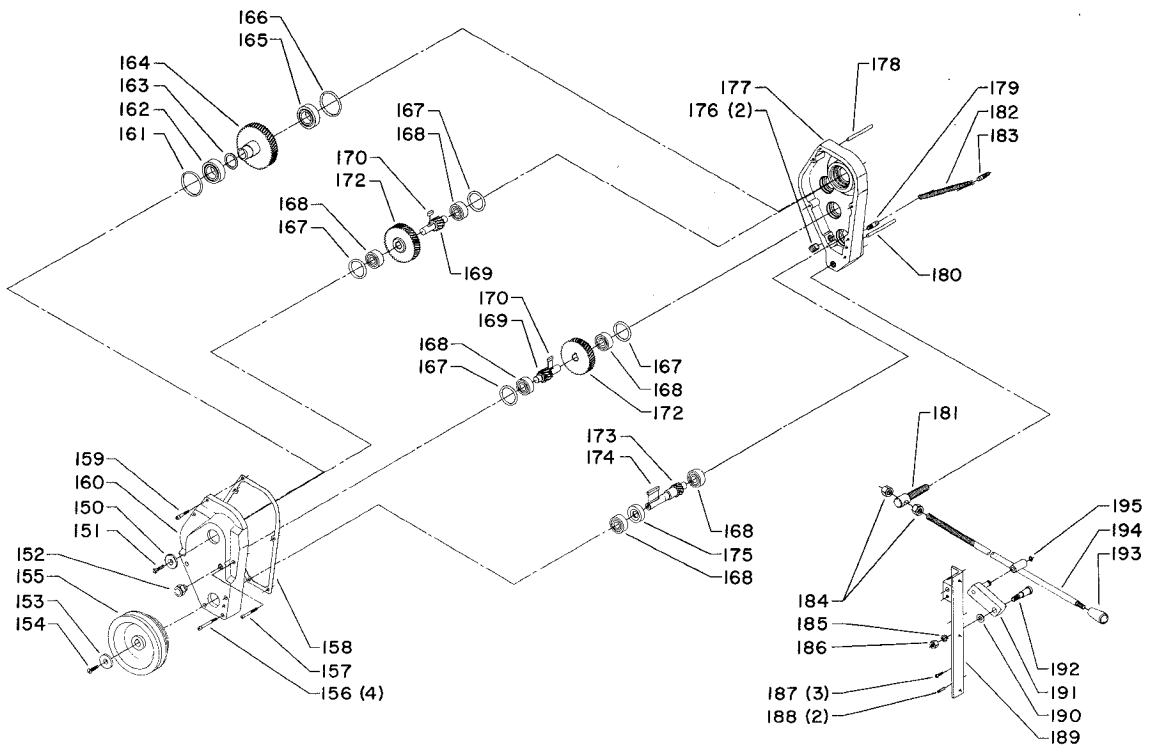
C - See diagram for correct chain selection.



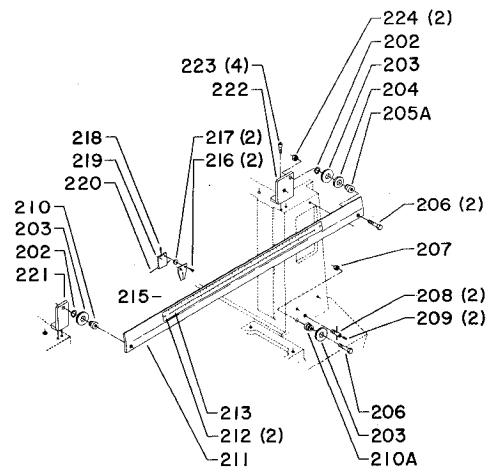
D - Current units can be identified by Serial Nos. D283, D299, D305, D307, D312 and higher or 7 or 7E stamped on part.

E - Torque to 250 in-lbs.

F - Knife grinding service is available from Delta - See Product Information Bulletin #25 for complete details.



CURRENT MODELS ONLY



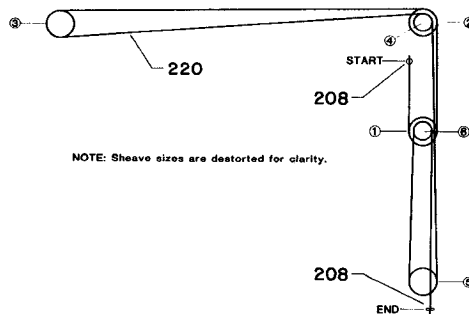
EARLY MODELS ONLY

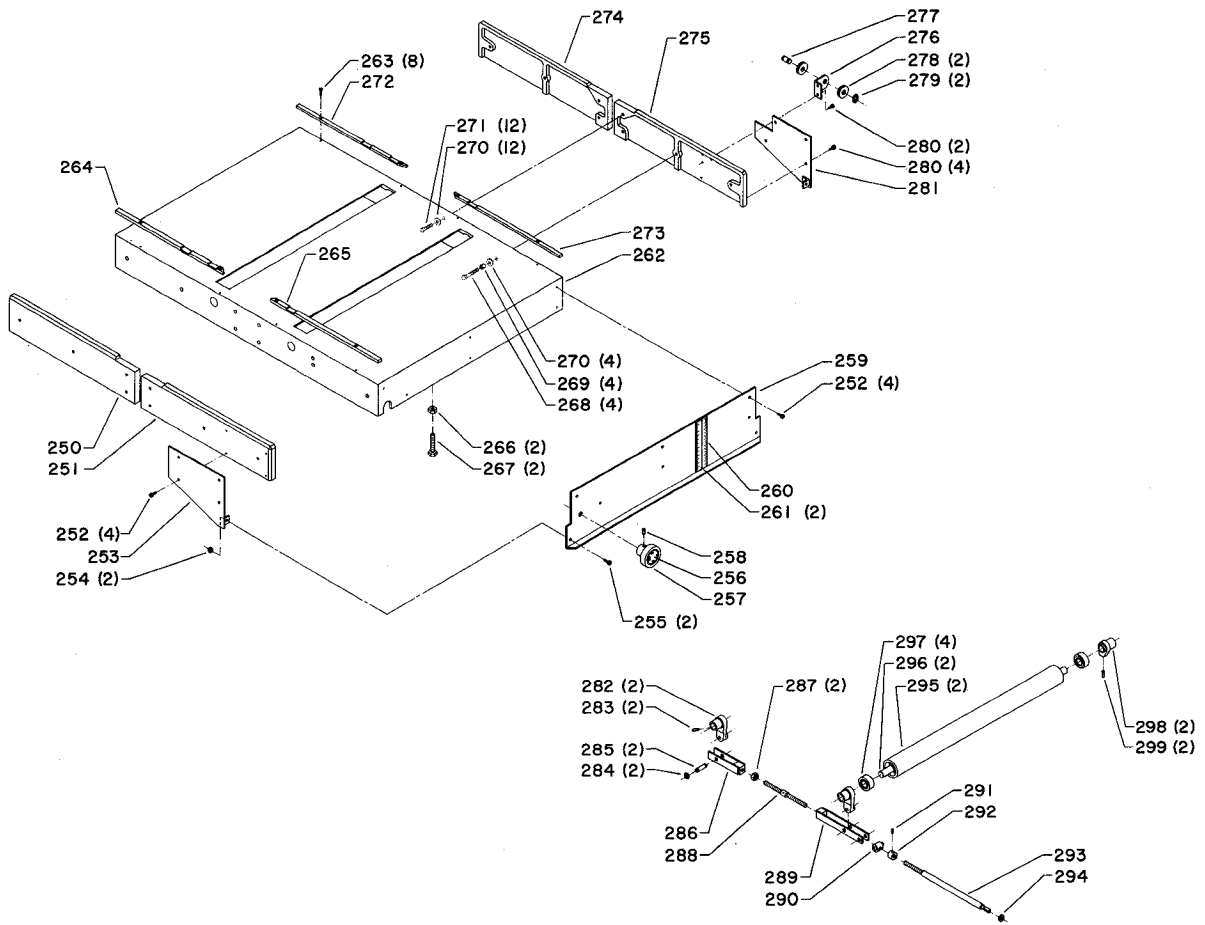
REPLACEMENT PARTS

REF. NO.	PART NO.	DESCRIPTION	REF. NO.	PART NO.	DESCRIPTION
150	428-07-104-0005	Washer	200	1330462	Limiter Bar (Current Models Only)
151	1246049	(DIN 963) M8 x 25mm Slot Flat Hd Scr	201	1246072	(DIN 912) M10 x 80mm Soc Hd Screw (Current Models Only)
*	428-07-351-0001	Gear Box Assembly, Const of:			(DIN 471) 12e External Retaining Ring
152	428-07-074-0002	Oil Level Plug	202	1243301	Sheave
153	428-07-104-0003	Washer	203	428-07-130-0004	Sheave - Minor
154	1246048	(DIN 963) M8 x 20mm Slot Flat Hd Scr	204	428-07-130-0005	Sheave Shaft - Right (Current Models Only)
155	428-07-130-0002	Pulley	205	1330460	Sheave Shaft - Right (Early Models Only)
156	1246055	(DIN 912) M6 x 50mm Soc Hd Scr	205A	428-07-106-0012	(DIN 933) M8 x 30mm Hex Hd Screw
157	1243331		206	1246017	(DIN 934) M8 Hex Nut
158	428-07-056-0001	Gasket	207	1243398	Cable Lock
159	1246070	(DIN 912) M6 x 30mm Soc Hd Scr	208	428-07-104-0024	(DIN 913) M5 x 8mm Hex Soc Set Screw
160	428-07-031-0003	Gear Box - Pulley Side	209	1246137	Sheave Shaft - Left (Current Models Only)
161	428-07-116-0001	O-Ring	210	1330461	Sheave Shaft - Left (Early Models Only)
162	428-07-017-0004	Bearing	210A	428-07-106-0013	Scale Support, Incl:
163	428-07-104-0004	Washer	211	428-08-389-0001	Rivet
164	428-07-051-0001	Gear	212	422-28-079-0015	Scale
165	920-04-022-4014	Bearing	213	428-08-132-0001	(DIN 913) M10 x 20mm Hex Soc Set Screw
166	428-07-116-0004	O-Ring	214	1330694	Cursor
167	428-07-116-0002	O-Ring	215	428-07-075-0002	(DIN 963) M4 x 10mm Flat Hd Screw
168	920-04-020-5348	Bearing	216	1246117	Spacer
169	428-07-051-0003	Gear	217	428-07-104-0025	(DIN 913) M4 x 8mm Hex Soc Set Screw
170	428-07-079-0004	Key	218	1246007	Cursor Support
171	428-07-051-0002	Gear	219	428-07-089-0017	Cable (See Service Note F)
172	428-07-051-0004	Gear	220	428-08-081-0001	Support - Left (Early Models Only)
173	428-07-051-0005	Gear	221	428-08-089-0006	Support - Right (Early Models Only)
174	428-07-079-0005	Key	222	428-08-089-0007	(DIN 912) M6 x 16mm Soc Hd Screw (Early Models Only)
175	428-07-116-0003	Seal	223	1246004	(DIN 934) M8 Hex Nut (Early Models Only)
176	428-07-074-0003	Plug	224	1243398	Indicator Plate
177	428-07-031-0004	Rear Gear Box Cover	225	428-07-137-0002	Ball Handle
178	1246143	(DIN 1481) Ø8 x 40mm Roll Pin	226	428-07-067-0003	Roller Bushing
179	428-07-071-0004	Spring Pin (Install with Loctite)	227	428-07-017-0006	Table Roller, Incl:
180	428-07-071-0003	(DIN 1481) Ø8 x 60mm Roll Pin	228	428-07-080-0002	Table Roller Shaft
181	428-07-112-0006	Tilting Nut	229	428-07-106-0003	Bearing
182	428-07-122-0006	Spring	230	920-04-020-5348	Roller Pivot
183	428-07-071-0004	Spring Pin	231	428-07-089-0004	(DIN 913) M6 x 10mm Hex Soc Set Scr
184	1246114	(DIN 934) M16 Hex Nut	232	1243321	(DIN 471) 12e Ext Retaining Ring
185	1246065	(DIN 7980) Ø13mm Lockwasher	233	1243497	Pivot Bar
186	1243476	(DIN 934) M12 Hex Nut	234	428-07-004-0003	Pivot Pin
187	1246004	(DIN 912) M6 x 16mm Soc Hd Scr	235	428-07-071-0006	Adjusting Screw Nut
188	1246077	(DIN 1481) Ø6 x 14mm Roll Pin	236	428-07-112-0011	(DIN 934) M12 Hex Nut
189	428-07-104-0008	Side Spacer	237	1243476	Roller Adjusting Lever
190	428-07-104-0006	Spacer	238	428-08-112-0001	
191	428-07-089-0003	Pivot			
192	428-07-112-0007	Pivot Screw	*	NOT SHOWN ASSEMBLED	
193	428-07-067-0002	Handle			
194	428-07-106-0002	Belt Tension Shaft			
195	1246058	(DIN 6799) 9RS Retaining Ring			
196	428-07-055-0002	Table Guide - Rear Left			
197	428-08-055-0001	Table Guide - Front Left			
198	1246045	(DIN 84) M6 x 10mm Slot Cheese Hd Scr			
199	428-08-089-0003	Plate Support - Left			

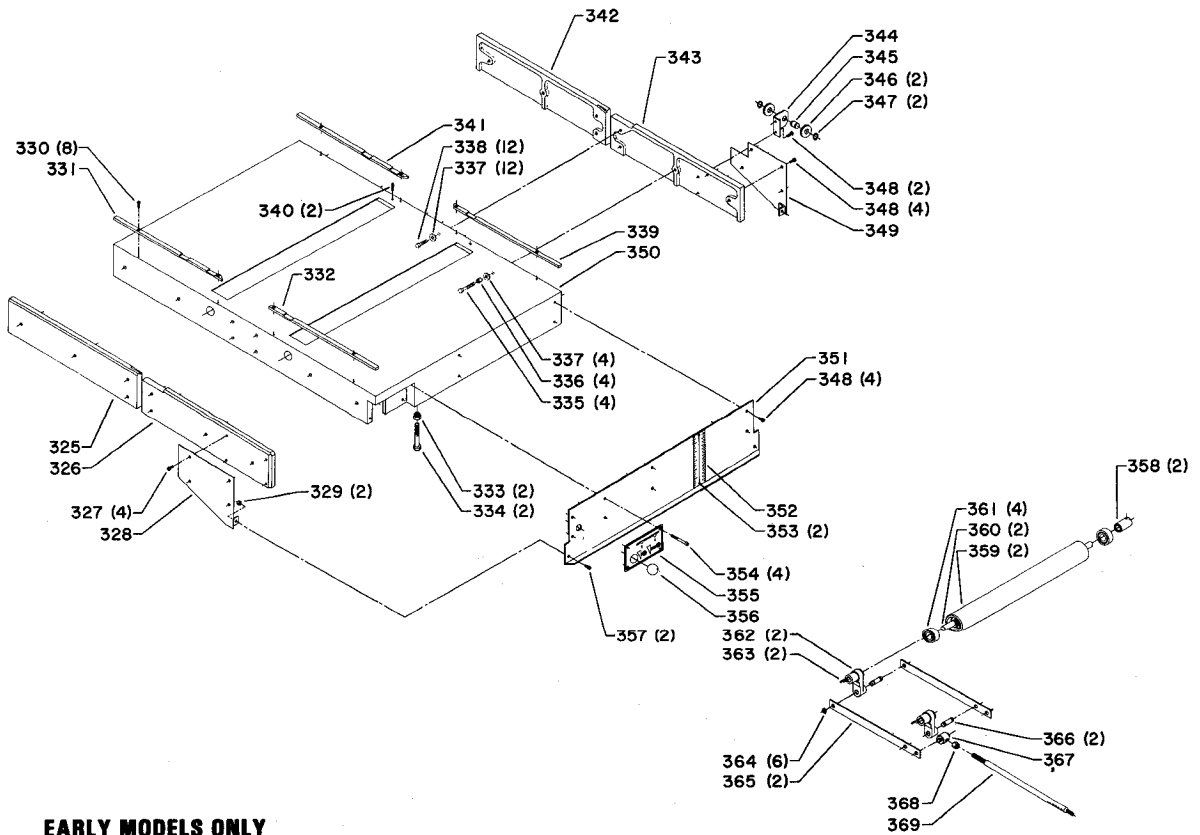
SERVICE NOTES:

F - Follow sequential diagram below for correct tracking of cable.





CURRENT MODELS ONLY

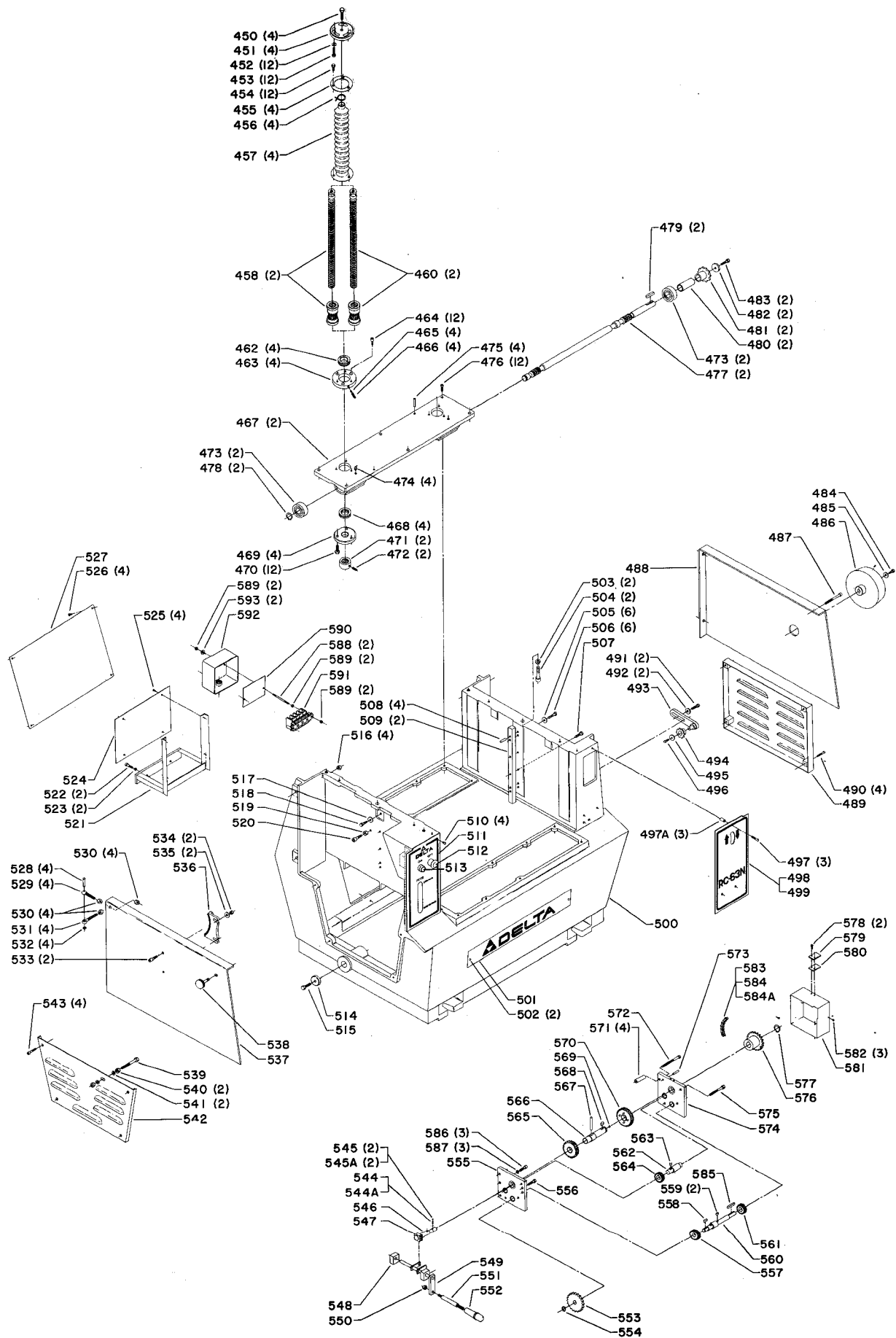


EARLY MODELS ONLY

REPLACEMENT PARTS

REF. NO.	PART NO.	DESCRIPTION	REF. NO.	PART NO.	DESCRIPTION
*	1330469	Complete Table Assy, (For RC-63D Current Models Only), Const of:	*	1330468	Complete Table Assy, (For RC-63N Current Models Only), Const of:
250	428-07-055-0002	Table Guide - Rear Left	250	428-07-055-0002	Table Guide - Rear Left
251	428-07-055-0001	Table Guide - Front Left	251	428-07-055-0001	Table Guide - Front Left
252	1246045	(DIN 84) M6 x 10mm Cheese Hd Screw	252	1246045	(DIN 84) M6 x 10mm Cheese Hd Screw
253	428-07-089-0003	Support Plate - Left	253	428-07-089-0003	Support Plate - Left
254	1243456	(DIN 934) M6 Hex Nut	254	1243456	(DIN 934) M6 Hex Nut
255	1246002	(DIN 84) M6 x 12mm Cheese Hd Screw	255	1246002	(DIN 84) M6 x 12mm Cheese Hd Screw
256	1330450	Directional Plate	256	1330450	Directional Plate
257	1330459	Knob	257	1330459	Knob
258	1246009	(DIN 913) M8 x 10mm Hex Soc Set Screw	258	1246009	(DIN 913) M8 x 10mm Hex Soc Set Screw
259	1330464	Plate	259	1330464	Plate
260	428-07-132-0003	Scale	260	428-07-132-0003	Scale
261	422-28-079-0015	Rivet	261	422-28-079-0015	Rivet
262	1330463	Table	262	1330463	Table
266	1243476	(DIN 934) M12 Hex Nut	263	1246021	(DIN 963) M5 x 10mm Flat Hd Screw
267	1246199	(DIN 933) M12 x 60mm Hex Hd Screw	264	428-08-055-0006	Table Guide - Rear Left
268	1246032	(DIN 933) M8 x 50mm Hex Hd Screw	265	428-08-055-0003	Table Guide - Front Left
269	1243398	(DIN 934) M8 Hex Nut	266	1243476	(DIN 934) M12 Hex Nut
270	1243526	(DIN 125) Ø8mm Washer	267	1246199	(DIN 933) M12 x 60mm Hex Hd Screw
271	1246016	(DIN 933) M8 x 25mm Hex Hd Screw	268	1246032	(DIN 933) M8 x 50mm Hex Hd Screw
274	428-07-055-0001	Table Guide - Rear Right	269	1243398	(DIN 934) M8 Hex Nut
275	428-08-055-0002	Table Guide - Front Right	270	1243526	(DIN 125) Ø8mm Washer
276	428-07-089-0016	Sheave Support	271	1246016	(DIN 933) M8 x 25mm Hex Hd Screw
277	428-07-071-0011	Pin	272	428-08-055-0005	Table Guide - Rear Right
278	428-07-130-0004	Sheave	273	428-08-055-0004	Table Guide - Front Right
279	1243301	(DIN 471) 16e Ext Retaining Ring	274	428-07-055-0001	Table Guide - Rear Right
280	1246045	(DIN 84) M6 x 10mm Cheese Hd Screw	275	428-08-055-0002	Table Guide - Front Right
281	428-08-089-0004	Support Plate - Right	276	428-07-089-0016	Sheave Support
282	1330448	Table Roller Pivot - Left	277	428-07-071-0011	Pin
283	1246041	(DIN 914) M8 x 16mm Hex Soc Set Screw	278	428-07-130-0004	Sheave
284	1243497	(DIN 471) 12e Ext Retaining Ring	279	1243301	(DIN 471) 16e Ext Retaining Ring
285	428-07-071-0006	Pivot Pin	280	1246045	(DIN 84) M6 x 10mm Cheese Hd Screw
286	1330454	Pivot Bar	281	428-08-089-0004	Support Plate - Right
287	1243476	(DIN 934) M12 Hex Nut	282	1330448	Table Roller Pivot - Left
288	1330453	Adjusting Screw	283	1246041	(DIN 914) M8 x 16mm Hex Soc Set Screw
289	1330455	Pivot Bar	284	1243497	(DIN 471) 12e Ext Retaining Ring
290	1330456	Adjusting Nut	285	428-07-071-0006	Pivot Pin
291	1246137	(DIN 913) M5 x 8mm Hex Soc Set Screw	286	1330454	Pivot Bar - Rear
292	1330457	Lock Nut	287	1243476	(DIN 934) M12 Hex Nut
293	1330465	Roller Adjustment Lever	288	1330453	Adjusting Screw
294	1330459	Washer	289	1330455	Pivot Bar - Front
295	1330482	Table Roller	290	1330456	Adjusting Nut
296	1330466	Table Roller Shaft	291	1246137	(DIN 913) M5 x 8mm Hex Soc Set Screw
297	1320106	Bearing	292	1330457	Lock Nut
298	1330447	Table Roller Pivot - Right	293	1330465	Roller Adjustment Lever
299	1246009	(DIN 913) M8 x 10mm Hex Soc Set Screw	294	1330459	Washer
			295	1330482	Table Roller
			296	1330466	Table Roller Shaft
			297	1320106	Bearing
			298	1330447	Table Roller Pivot - Right
			299	1246009	(DIN 913) M8 x 10mm Hex Soc Set Screw
			325	428-07-055-0002	Table Guide - Rear Left
			326	428-08-055-0001	Table Guide - Front Left
			327	1246002	(DIN 934) M6 x 12mm Cheese Hd Screw
			328	428-08-089-0003	Support Plate - Left
			329	1243456	(DIN 934) M6 Hex Nut
			330	1246021	(DIN 963) M5 x 10mm Flat Hd Screw (For RC-63N Models Only)
			331	428-08-055-0006	Table Guide - Rear Left (For RC-63N Models Only)
			332	428-08-055-0003	Table Guide - Front Left (For RC-63N Models Only)
			333	1243476	(DIN 934) M12 Hex Nut
			334	1246199	(DIN 933) M12 x 60mm Hex Hd Screw
			335	1246031	(DIN 933) M8 x 40mm Hex Hd Screw
			336	1243398	(DIN 934) M8 Hex Nut
			337	1243526	(DIN 125) Ø8mm Flat Washer
			338	1246016	(DIN 933) M8 x 25mm Hex Hd Screw
			339	428-08-055-0004	Table Guide - Front Right (For RC-63N Models Only)
			340	1246038	(DIN 914) M6 x 16mm Hex Soc Set Screw
			341	428-08-055-0005	Table Guide - Rear Right (For RC-63N Models Only)
			342	428-07-055-0001	Table Guide - Rear Right
			343	428-08-055-0002	Table Guide - Front Right
			344	428-07-089-0016	Sheave Support
			345	428-07-071-0011	Pin
			346	428-07-130-0004	Sheave
			347	1243301	(DIN 471) 16e External Retaining Ring
			348	1246045	(DIN 84) M6 x 10mm Cheese Hd Screw
			349	428-08-089-0004	Support Plate - Right
			350	428-08-091-0002	Table
			351	428-08-372-0001	Plate, Incl:
			352	428-07-132-0003	Scale
			353	422-28-079-0015	Rivet
			354	1330011	(DIN 84) M6 x 40mm Cheese Hd Screw
			355	428-07-137-0002	Indicator Plate
			356	428-07-067-0003	Ball Handle
			357	1246002	(DIN 84) M6 x 12mm Cheese Hd Screw
			358	428-07-017-0006	Roller Bushing
			359	428-07-080-0002	Table Roller, Incl:
			360	428-07-106-0003	Table Roller Shaft
			361	920-04-020-5348	Bearing
			362	428-07-089-0004	Roller Pivot
			363	1243321	(DIN 913) M6 x 10mm Hex Soc Set Screw
			364	1243497	(DIN 471) 12e External Retaining Ring
			365	428-07-004-0003	Pivot Bar
			366	428-07-071-0006	Pivot Pin
			367	428-07-112-0011	Adjusting Screw Nut
			368	1243476	(DIN 934) M12 Hex Nut
			369	428-08-112-0001	Roller Adjustment Lever

* NOT SHOWN ASSEMBLED



REPLACEMENT PARTS

REF. NO.	PART NO.	DESCRIPTION	REF. NO.	PART NO.	DESCRIPTION
450	1246019	(DIN 933) M10 x 35mm Hex Hd Screw	527	428-08-031-0002	Electrical Box Cover
451	428-07-089-0005	Upper Screw Support	528	428-07-071-0008	Hinge Pin
452	428-07-104-0010	Washer	529	428-07-059-0003	Hinge
453	1246017	(DIN 933) M8 x 30mm Hex Hd Screw	530	1243496	(DIN 934) M10 Hex Nut
454	1246045	(DIN 84) M6 x 10mm Cheese Hd Screw	531	428-08-059-0001	Hinge
455	428-07-104-0011	Washer	532	1246064	(DIN 6799) RS-7 External Retaining Ring
456	428-07-088-0001	Lock Ring	533	1246054	(DIN 912) M8 x 20mm Soc Hd Screw
457	428-07-031-0005	Guard	534	1243398	(DIN 934) M8 Hex Nut
458	1330487	Table Adjusting Screw w/Nut - Front	535	1243526	(DIN 125) Ø8mm Flat Washer
460	1330488	Table Adjusting Screw w/Nut - Rear	536	428-07-089-0007	Brake Shoe Assembly
462	428-08-104-0004	Adjusting Nut	537	428-08-031-0007	Cover - Upper Left Side
463	428-08-031-0009	Cover	538	428-07-067-0006	Knob
464	1246122	(DIN 912) M8 x 15mm Soc Hd Screw	539	1246066	(DIN 931) M10 x 70mm Hex Hd Screw
465	428-07-074-0001	Drag Plug	540	1243496	(DIN 934) M10 Hex Nut
466	1246011	(DIN 913) M8 x 20mm Hex Soc Set Screw	541	1243502	(DIN 125) Ø10mm Flat Washer
467	428-08-089-0008	Support	542	428-08-031-0005	Cover - Lower Left
468	428-07-017-0007	Bearing	543	1246070	(DIN 912) M6 x 30mm Soc Hd Screw
469	428-07-031-0006	Lower Screw Cover	*	1330010	Table Raising Assy, Const of:
470	1246016	(DIN 933) M8 x 25mm Hex Hd Screw	544	428-07-122-0012	1/4" O.D. Dia. Spring (Current Models Only)
471	428-07-112-0014	Screw Stop Nut - Front Only	544A	428-07-122-0011	3/16" O.D. Dia. Spring (Early Models Only)
472	1246010	(DIN 916) M8 x 15mm Hex Soc Set Screw	545	1243446	(DIN 5401) 1/4" Dia. Ball (Current Models Only)
473	428-07-017-0009	Bearing	545A	428-07-139-0002	3/16" Dia. Ball (Early Models Only)
474	428-07-109-0001	Grease Fitting	546	428-08-328-0001	Clutch Assembly, Incl:
475	1246060	(DIN 1481) Ø8 x 32mm Roll Pin	547	1246184	(DIN 1481) Ø3 x 20mm Roll Pin
476	1246054	(DIN 912) M8 x 20mm Soc Hd Screw	548	428-07-089-0014	Lever Support
477	428-07-106-0004	Table Adjusting Worm Gear, Incl:	549	428-08-067-0001	Clutch Lever
478	1246181	(DIN 471) 25e External Retaining Ring	550	1243496	(DIN 934) M10 Hex Nut
479	428-07-079-0006	Key	551	428-07-067-0010	Lever
480	428-07-017-0008	Bushing	552	432-07-138-0005	Knob
481	428-07-134-0007	Sprocket	553	428-08-134-0001	Sprocket
482	428-07-104-0013	Washer	554	1243301	(DIN 471) 12e External Retaining Ring
483	1246016	(DIN 933) M8 x 25mm Hex Hd Screw	555	428-08-089-0002	Rear Gear Support w/Bushings
484	1246078	(DIN 933) M8 x 15mm Hex Hd Screw	556	1246016	(DIN 933) M8 x 25mm Hex Hd Screw
485	422-30-079-0006	Washer	557	428-07-051-0012	Gear - 20 Teeth
486	428-07-100-0002	Wheel	558	428-06-079-0003	Key
487	1246123	(DIN 912) M8 x 70mm Soc Hd Screw	559	428-07-079-0008	Key
488	428-08-031-0008	Cover - Upper Right Side	560	428-08-106-0002	Wheel Shaft
489	428-08-031-0006	Cover - Lower Right Side	561	428-07-051-0011	Gear - 22 Teeth
490	1246070	(DIN 912) M6 x 30mm Soc Hd Screw	562	428-07-106-0011	Intermediate Shaft
491	1246016	(DIN 933) M8 x 25mm Hex Hd Screw	563	428-07-079-0008	Key
492	428-07-104-0010	Washer	564	428-07-051-0012	Gear - 20 Teeth
493	428-06-084-0001	Idler	565	428-08-051-0003	Gear w/Pins and Bushing - 35 Teeth
494	428-06-134-0002	Sprocket w/Bushing	566	428-08-106-0003	Clutch Shaft
495	428-06-104-0002	Washer	567	428-07-071-0009	Pin
496	1246013	(DIN 933) M6 x 12mm Hex Hd Screw	568	428-08-079-0001	Key
497	1246090	(DIN 84) M6 x 30mm Cheese Hd Screw	569	1246092	(DIN 914) M6 x 6mm Hex Soc Set Screw
497A	428-07-104-0023	Spacer	570	428-08-051-0004	Gear w/Pins and Bushing - 39 Teeth
498	428-08-123-0002	Panel (For RC-63D Models Only)	571	428-07-104-0020	Spacer
499	428-08-123-0003	Panel (For RC-63N Models Only)	572	1246176	(DIN 913) M8 x 80mm Hex Hd Screw
500	428-08-305-0001	Base, Incl:	573	1246110	(DIN 1481) Ø6 x 24mm Roll Pin
501	428-07-137-0001	Nameplate	574	428-08-089-0001	Front Gear Support w/Bushings
502	422-28-079-0015	Rivet	575	1246131	(DIN 933) M8 x 60mm Hex Hd Screw
503	1246065	(DIN 7980) Ø13mm Lockwasher	576	428-08-134-0002	Sprocket
504	1246172	(DIN 912) M12 x 45mm Soc Hd Screw	577	1246181	(DIN 471) 25e External Retaining Ring
505	1243526	(DIN 125) Ø8mm Flat Washer	578	1341235	(DIN 84) M4 x 12mm Cheese Hd Screw
506	1246017	(DIN 933) M8 x 30mm Hex Hd Screw	579	1330691	Chain Tensioning Shoe Bracket
507	1246016	(DIN 933) M8 x 25mm Hex Hd Screw	580	1330692	Chain Tensioning Shoe
508	1246075	(DIN 1481) Ø8 x 24mm Roll Pin	581	428-07-031-0014	Cover
509	428-07-055-0004	Table Guide	582	1246177	(DIN 84) M6 x 6mm Cheese Hd Screw
510	1246045	(DIN 84) M6 x 10mm Cheese Hd Screw	583	428-07-023-0002	Chain (109 Pitches), Incl: (See Service Note C)
511	428-08-123-0001	Panel	584	428-07-135-0007	Master Link
512	438-01-017-0172	Switch w/Off Button	584A	428-07-135-0001	Offset Link
513	438-01-017-0173	Switch w/On Button	585	428-07-079-0009	Key
514	428-07-104-0014	Washer	586	1246053	(DIN 912) M8 x 25mm Soc Hd Screw
515	1246035	(DIN 933) M10 x 30mm Hex Hd Screw	587	1246157	(DIN 7980) Ø8mm Lockwasher
516	1243496	(DIN 934) M10 Hex Nut	588	428-07-111-0002	Stud
517	1243526	(DIN 125) Ø8mm Flat Washer	589	1243395	(DIN 934) M5 Hex Nut
518	1246016	(DIN 933) M8 x 25mm Hex Hd Screw	590	438-01-011-0060	Insulation Paper
519	1243496	(DIN 934) M10 Hex Nut	591	438-01-018-0056	Terminal Strip Assembly
520	1246074	(DIN 912) M10 x 30mm Soc Hd Screw	592	438-01-008-0051	Cover
521	428-08-089-0012	Electrical Box Support	593	1246102	(DIN 125) M5 Flat Washer
522	1246016	(DIN 933) M8 x 25mm Hex Hd Screw	*	NOT SHOWN ASSEMBLED	
523	1246157	(DIN 7980) Ø8mm Lockwasher			
524	428-08-072-0001	Electrical Plate			
525	1243394	(DIN 84) M5 x 10mm Cheese Hd Screw			
526	1246045	(DIN 84) M6 x 10mm Cheese Hd Screw			

This parts list is provided to aid in obtaining service parts. Operational and maintenance information is contained in a separate owner's manual which is available through your local service outlet.