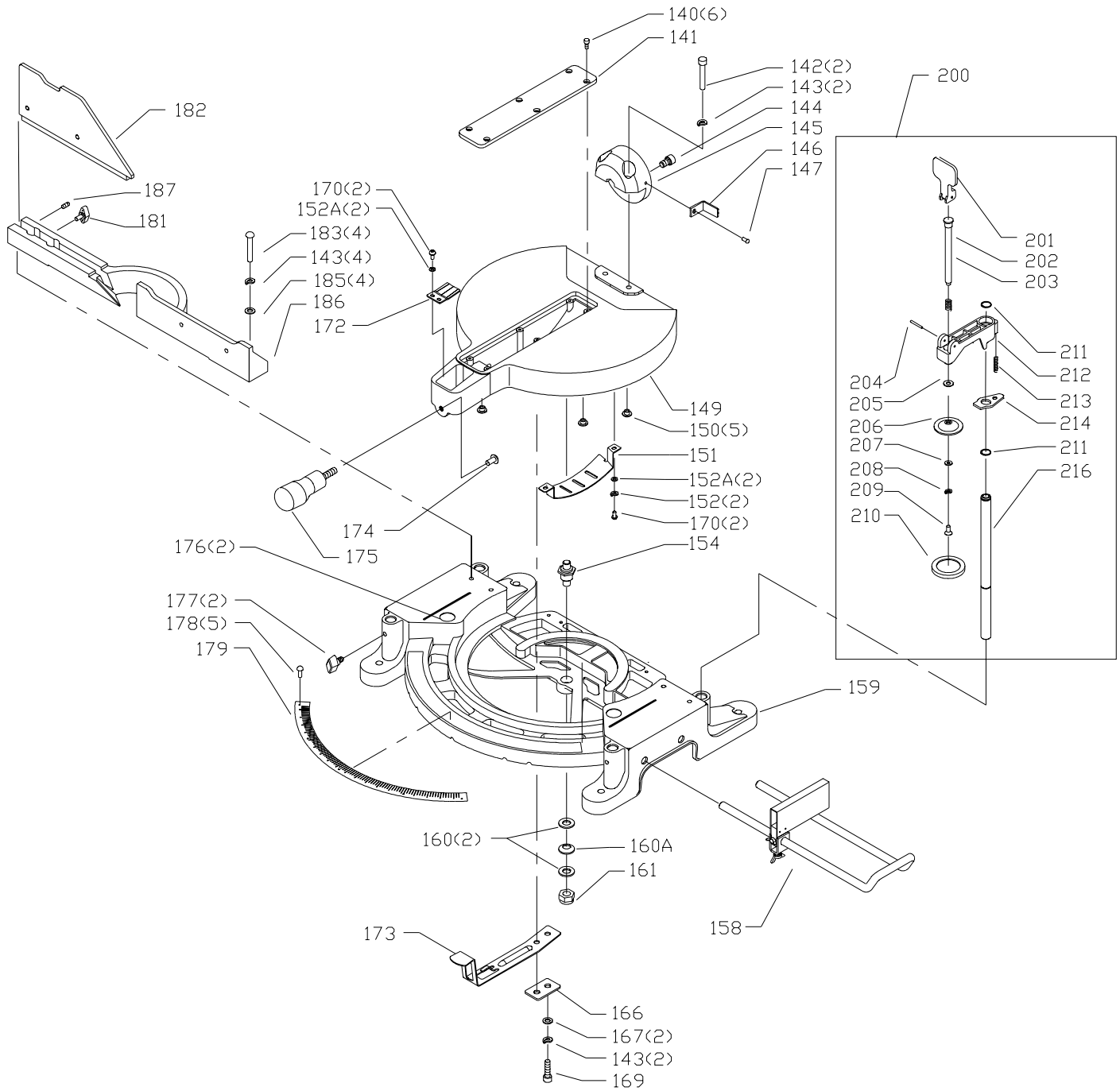


REPLACEMENT PARTS

<u>Ref.</u>	<u>Part No.</u>	<u>Description</u>	<u>Ref.</u>	<u>Part No.</u>	<u>Description</u>
1	1342455	M05 X .8 X 10 PAN HD SCREW	77	1345428	INSULATOR
2	1347287	PUSH NUT	78	1240622	M6 FLAT WASHER
3	1347286	WHEEL	80	1345695	CORD CLAMP
4	1347285	BUSHING	81	1310157	M06 X 1 X 20 MM PAN HD SCREW
5	1343504	M5 LOCKNUT	82	1310016	5M DRIVE SCREW
7	900261	BLADE GUARD	83	1246124	M06 X 1 X 25 HEX SOC SET SCREW
8	910754	MOUNT	84	905755	DEC PLATE
9	910755	PLATE	85	899917	WARNING LABEL (HANDLE)
10	1342998	SPRING	90	1347296	SPRING PLATE
11	901-01-060-0629	M8 X 1.25 X 10MM HEX HD SCREW	91	910823	PIN
12	1343054	M05 X .8 X 10 CARRIAGE BOLT	92	910824	STEEL RING
13	908601	ARBOR SCREW	93	n 1349810	STUD
14	1347232	OUTER BLADE FLANGE	94	1341996	M10 X 1.5 X M10 LOCKNUT
15	BLADE	SEE CATALOG	95	n 911769	HANDLE
16	1347233	INNER BLADE FLANGE	96	910736	BEVEL SCALE
17	1347291	M06 X 1 X 12 PAN HD SCREW	97	1345979	M06 X 1 X 45 HEX SOC SET SCREW
18	1243520	M6 LOCK WASHER	98	1243456	M06 X 1 X M6 HEX NUT
19	910789	JACKSHAFT ASSY	99	910825	BACK TRUNNION
22	1347288	SPECIAL SCREW	100	1347269	LINKAGE
23	1347289	GUARD STOP	101	1346290	SPACER
24	894452	RETAINING RING	102	1346291	FLAT WASHER
25	910792	PIN	103	901-02-453-1123	10-32 x 1/2" PAN HD SCREW
26	1348261	SPRING	104	1341153	M08 X 1.25 X 12MM HEX HD SCREW
27	910794	UPPER ARM	105	910826	PLATE
28	910797	DUST SHROUD	106	1246001	M05 X .8 X 12 MM CHEESE HD SCREW
29	1347267	PIVOT BOLT	120	1342386	WRENCH
31	1342930	CLAMP	121	428-06-101-0002	3MM HEX WRENCH
32	1246093	M08 X 1.25 X 35 HEX HD SCREW	122	894496	BLADE WRENCH
33	1243395	M05 X .8 X M5 HEX NUT	124	1345544	CORD
34	910800	M5 X .8 X 20MM SET SCREW	125	438-01-007-0042	WIRE NUT
35	910799	PIVOT PIN	126	1310143	M05 X .8 X 08 PAN HD SCREW
36	904-01-031-2937	FLAT WASHER	127	1320101	WASHER
37	1342922	5/16-18 LOCKNUT	217	910750	DUST BAG
38	1346285	SPACER	302	910633	HARDWARE PACK
39	1346272	BUSHING			
40	900027	SPRING			
41	1347587	RING			
42	400-08-139-0008	BEARING			
43	894412	ARMATURE			
44	1343265	PAN HD SCREW			
45	1343528	CORD			
46	894461	FLAT WASHER			
47	894539	FIELD			
48	1348660	SPECIAL WASHER			
49	1348661	SPECIAL WASHER			
50	894450	BEARING			
51	1343267	WAVE WASHER			
52	899925	WARNING LABEL			
53	1340622	FLAT WASHER			
54	1343520	BEARING			
55	894476	M6 X 1 X 35MM RD HD SCREW			
56	1348267	BRUSH CAP			
57	1349622	BLOCK			
58	894467	MOTOR HOUSING			
59	1348263	BRUSH HOLDER			
60	1348266	BRUSH			
62	1246043	M05 X .8 X 10 HEX SOC SET SCREW			
64	1343021	GROUND LUG			
65	1087576	8-32 X 1/2" PAN HD SCREW			
69	910734	NAME PLATE			
70	1310547	M04.2 X 12 PAN HD SCREW			
71	899883	SWITCH			
72A	1343019	3/8" GROMMET			
73	1350297	8-32 X 3/4" PAN HD SCREW			
74	904369	HANDLE SET			
75	1344955	M3.5 X 6MM PAN HD SCREW			
76	1347301	COVER PLATE			



REPLACEMENT PARTS

<u>Ref.</u>	<u>Part No.</u>	<u>Description</u>	<u>Ref.</u>	<u>Part No.</u>	<u>Description</u>
140	1342455	M05 X .8 X 10 MM PAN HD SCREW	206	1342915	CUP
141	911368	BLADE INSERT	207	1343545	FLAT WASHER
142	1246006	M08 X 1.25 X 50 HEX SOC HD SCREW	208	904-02-010-1726	LOCK WASHER
143	1246157	LOCK WASHER	209	901-02-010-0555	8 - 32 x 3/8" ROUND HD SCREW
144	910827	SPECIAL SCREW	210	1342944	RUBBER CAP
145	910828	REAR BRACKET	211	1348273	SCREW
146	910829	POINTER	212	900127	BODY
147	910830	M5 X .8 X 8MM PAN HD SC	213	1346338	SPRING
149	910831	TABLE	214	1346318	LEVER
150	910832	WEAR PAD	216	1346313	SHAFT
151	910833	PLATE			
152	1343538	LOCK WASHER			
152A	1246102	FLAT WASHER			
154	910834	TABLE PILOT STUD			
158	36-223	EXTENSION WINGS			
159	910835	BASE			
160	1347252	WASHER			
160A	910836	SPRING WASHER			
161	1343492	M12 X 1.75 LOCKNUT			
166	910837	PLATE			
167	1344330	FLAT WASHER			
169	1246053	M08 X 1.25 X 25 HEX SOC HD SCREW			
170	1343923	M5 X .8 X 10MM PAN HD SCREW			
172	910838	POINTER			
173	910839	INDEX LEVER			
174	1347119	PAD			
175	899913	GRIP			
176	1348257	WARNING LABEL			
177	1347297	KNOB			
178	1310016	5M DRIVE SCREW			
179	910738	SCALE			
181	910840	KNOB			
182	910841	FENCE			
183	910843	M8 X 1.25 X 40MM BUTTON HD SOC			
185	1243526	FLAT WASHER			
186	910842	FENCE			
187	1330048	M06 X 1 X 20 HEX SOC SET SCREW			
200	910749	CLAMP ASSY, INCL.: REF. 201 THRU 216			
201	1346316	LEVER			
202	1347263	PLUNGER			
203	1346337	SPRING			
204	1246023	SPRING PIN			
205	904-01-010-1603	FLAT WASHER			

STANDARD SAFETY EQUIPMENT

In order to promote tool safety, Delta Machinery strictly enforces the policy of repairing or replacing any damaged or missing standard safety equipment on machines presented to Delta Authorized Service Centers for service/repairs. Any product that is presented to a Delta Authorized Service Center for repair with damaged or missing standard safety equipment will have that equipment repaired or replaced and the customer will be charged for any such service/repairs. Customers can avoid such charges only if the missing safety component is supplied to the service center at the time of repair.

This parts list is provided to aid in obtaining service parts. Copies of the instruction and maintenance literature can be obtained through the Delta Technical Publications Department, your service outlet, or by visiting the Delta Website @ www.deltamachinery.com.