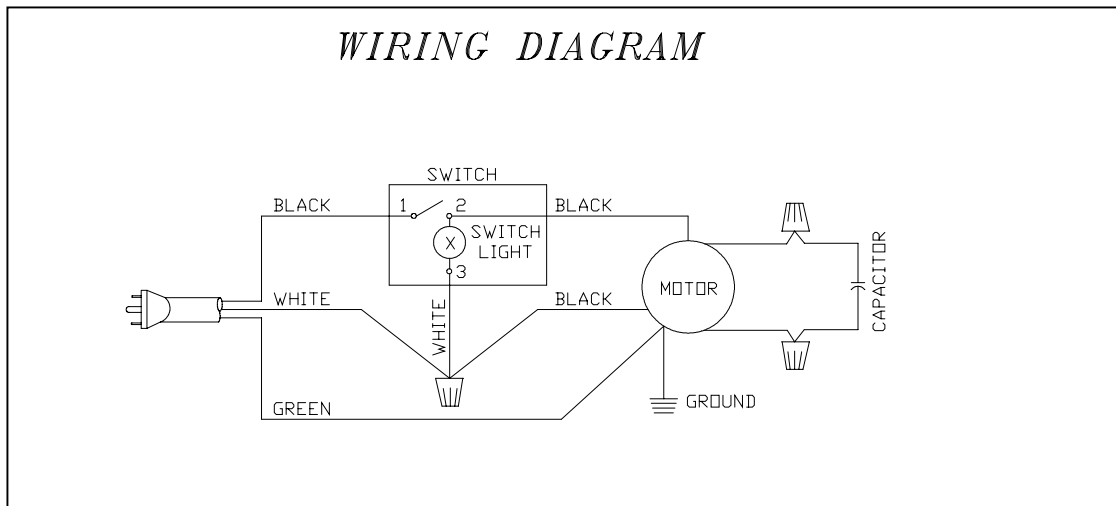


# REPLACEMENT PARTS

Ref. No.	Part No.	Description	Ref. No.	Part No.	Description
1	902581	M6 X 80MM CARRIAGE HD SCR	42	1320155	GROMMET
2	901911	EYESHIELD	43	905848	WARNING/DEC PLATE
3	1340608	FLAT WASHER	44	1320125	CORD
4	902582	M6 KNOB	45	1310057	STRAIN RELIEF
5	902583	SPACER	47	1320211	PLATE
6	902584	RIGHT SPARK BREAKER	48	1349964	LIGHT ASSY
7	1320090	FLAT WASHER	49	900843	LAMP WARNING LABEL
8	1340609	1/4-20 X .25" HEX HD SCREW	50	902589	BASE
9	1320003	10-24 X .25" TRUSS HD SCREW	51	904-02-020-1702	LOCK WASHER
10	1320832	COVER	52	902-01-120-1034	1/4-20 HEX NUT
11	1320075	1/2-12 HEX NUT	53	902588	BASE COVER
12	1320201	FLANGE	54	1320217	PAD
13	23-684	60G GRINDING WHEEL	55	1320087	FLAT WASHER
15	902585	R. H. WHEEL GUARD	56	901-02-010-0525	10-24 X 1/2" ROUND HD SCREW
16	900839	ROTATIONAL LABEL	57	1343835	CAPACITOR
17	1320005	10-24 X 3/8" TRUSS HD SCREW	59	1320160	CLAMP
18	1320220	R. H. TOOL REST	61	1320101	WASHER
20	901-01-060-0606	5/16-18 X 5/8" HEX HD SCREW	62	1320151	SWITCH
27	902586	LEFT SPARK BREAKER	64	1320219	PLATE
31	902587	L. H. WHEEL GUARD	65	902590	WRENCH
34	23-683	36G GRINDING WHEEL	67	901910	EYE SHIELD HDWE PACK
36	1320074	1/2-12 LEFT HAND NUT	68	901912	TOOL REST HDWE PACK
39	901-01-060-0605	5/16-18 X 1/2" HEX HD SCREW			
41	1320210	L. H. TOOL REST			



## STANDARD SAFETY EQUIPMENT

In order to promote tool safety, Delta Machinery strictly enforces the policy of repairing or replacing any damaged or missing standard safety equipment on machines presented to Delta Authorized Service Centers for service/repairs. Any product that is presented to a Delta Authorized Service Centers for repairs which contains missing or damaged standard safety equipment will have that equipment repaired or replaced and the customer will be charged for any such service/repairs. Customers can avoid such charges only if the missing safety component is supplied to the service center at the time of repair.

*This parts list is provided to aid in obtaining service parts. Copies of the instruction and maintenance literature can be obtained through the Delta Technical Publications Department or through your service outlet.*