

REPLACEMENT PARTS

REF. NO.	PART NUMBER	DESCRIPTION
1	428-06-020-0001	Column Cap
2	1330513	Column - Left Rear
3	1330494	Head Casting
4	1243398	(Din 934) M8 Hex Nut
5	1330710	(Din 137) Wave Washer
6	1246004	(Din 912) M6 x 16mm Soc Hd Screw
7	1330547	Sponge
8	1330504	Spindle Nut
9	428-06-085-0001	Small Spindle
10	1330495	Table
12	428-06-079-0003	Key
13	428-06-104-0003	Spindle Washer
14	920-04-012-4029	Bearing
15	1243505	(Din 472) 42i Internal Retaining Ring
16	428-06-134-0001	Sprocket
17	428-06-104-0004	Washer
18	1243496	(Din 934) M10 Hex Nut
19	1246004	(Din 912) M6 x 16mm Soc Hd Screw
20	1330504	Spindle Nut
21	1246012	(Din 916) M10 x 20mm Hex Soc Set Screw
22	428-06-085-0001	Small Spindle
23	428-06-104-0003	Spindle Washer
24	920-04-012-4029	Bearing
25	1243505	(Din 472) 42i Internal Retaining Ring
26	428-06-134-0001	Sprocket
27	428-06-104-0004	Washer
28	1243496	(Din 934) M10 Hex Nut
29	428-06-079-0003	Key
31	1243496	(Din 934) M10 Hex Nut
32	1330527	Idler Pin
33	904-01-010-1605	3/8" Flat Washer
34	1243398	(Din 934) M8 Hex Nut
35	1330526	Idler Support
36	1330535	Guide
37	1330683	Idler Screw
38	1330684	Chain Cover
39	1330511	Column - Left Front
40	1330514	Column - Right Rear
41	1085187	Warning Label
42	1246045	(Din 84) M6 x 10mm Slot Cheese Hd Screw
43	1330538	Main Cover
44	1330433	Warning Label
44A	1330704	Label
45	1246150	(Din 913) M8 x 25mm Hex Soc Set Screw
46	1243526	(Din 125) 8mm Flat Washer
47	1243398	(Din 934) M8 Hex Nut
48	1246151	(Din 913) M8 x 40mm Hex Soc Set Screw
50	1246026	(Din 6799) R58 Retaining Ring

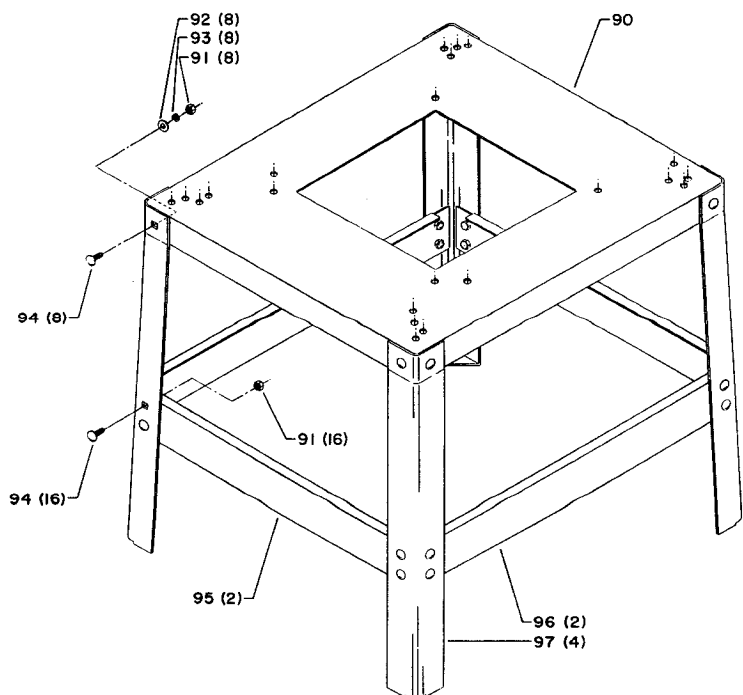
REF. NO.	PART NUMBER	DESCRIPTION
51	428-06-111-0001	Handle Stud
52	428-06-067-0001	Handle
53	428-06-033-0001	Crank
54	1246023	(Din 1481) Dia 4 x 28mm Roll Pin
55	428-06-017-0002	Bushing
56	1246000	(Din 84) M3 x 6mm Slot Cheese Hd Screw
57	1330542	Scale
58	1330512	Column - Right Front
59	1330504	Spindle Nut
60	422-28-079-0015	Rivet
61	428-06-075-0001	Pointer
62	1246004	(Din 912) M6 x 16mm Soc Hd Screw
63	422-28-079-0015	Rivet
64	428-06-137-0001	Nameplate
65	428-06-085-0002	Large Spindle
66	1246056	(Din 912) M6 x 12mm Soc Hd Screw
66A	904-02-020-1702	1/4" Lockwasher
67	1330708	Guide
68	428-06-079-0003	Key
69	428-06-104-0003	Spindle Washer
70	920-04-012-4029	Bearing
71	1243505	(Din 472) 42i Internal Retaining Ring
72	428-06-134-0001	Sprocket
73	428-06-104-0004	Washer
74	1243496	(Din 934) M10 Hex Nut
75	1330554	Chain (118 Pitches), Incl:
75A	428-06-023-0004	Master Link

HARDWARE LISTED BELOW USED TO MOUNT BASE TO STEEL STAND

**	1246032	(4) (Din 933) M8 x 50mm Hex Hd Screw
**	1243526	(8) (Din 125) 8mm Flat Washer
**	1243398	(4) (Din 934) M8 Hex Nut

AVAILABLE AS AN ACCESSORY

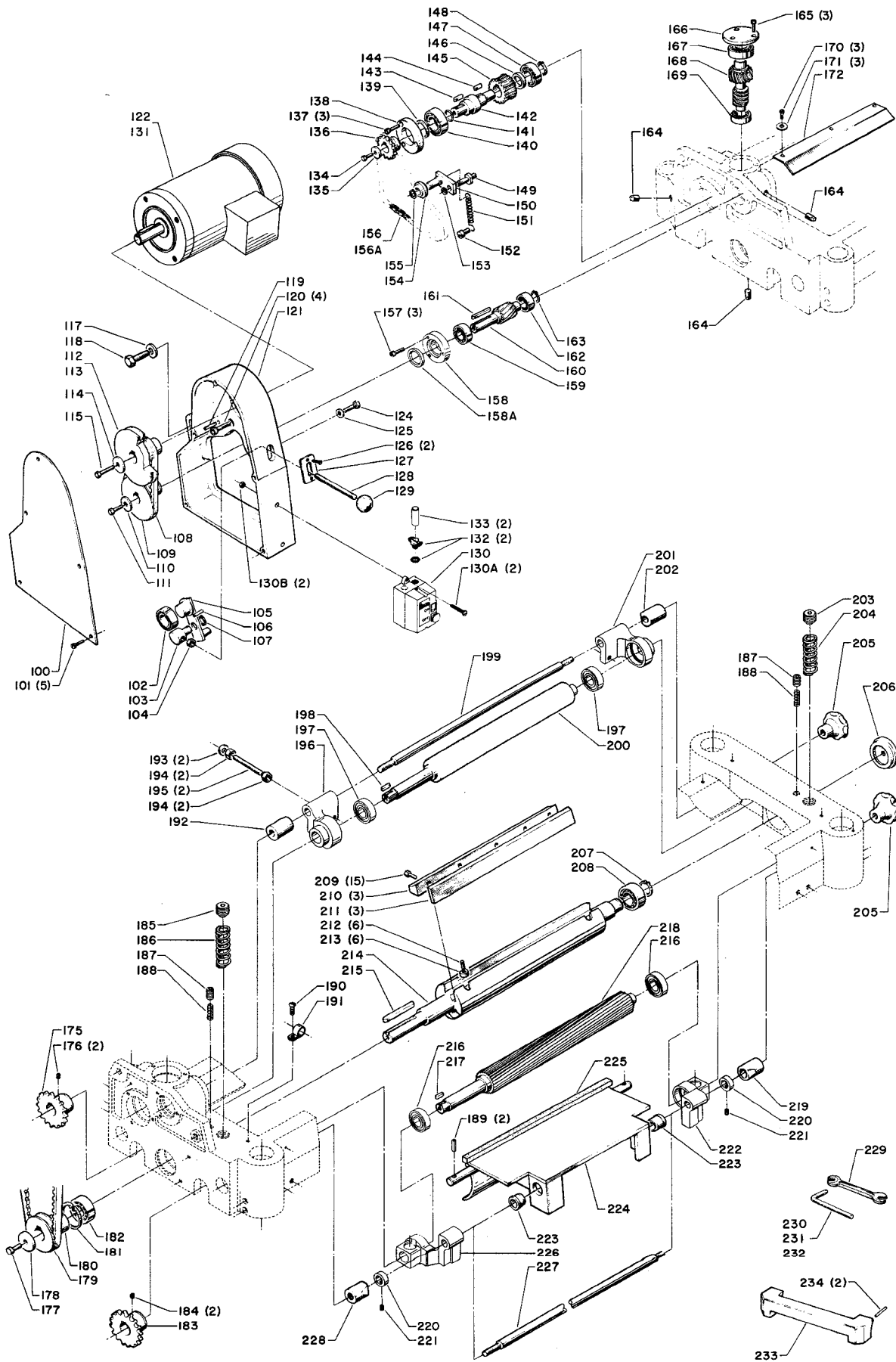
76	22-658	Shaving Hood, Incl:
77	1246034	(Din 933) M8 x 20mm Hex Hd Screw
78	422-30-079-0006	Washer
**	NOT SHOWN	



AVAILABLE AS AN ACCESSORY

REPLACEMENT PARTS

REF. NO.	PART NUMBER	DESCRIPTION
*	50-314	Steel Stand, Const of:
90	436-02-115-0101	Shelf
91	902-01-010-1300	5/16-18 Hex Nut
92	904-01-010-1620	5/16" Flat Washer
93	904-02-010-1703	5/16" Lockwasher
94	901-11-020-0834	5/16-18 x 3/4" Carriage Bolt
95	436-02-103-0011	20.915" Tie Bar
96	436-02-103-0010	23.415" Tie Bar
97	436-02-066-0028	Leg
*	NOT SHOWN ASSEMBLED	



REPLACEMENT PARTS

REF. NO.	PART NUMBER	DESCRIPTION	REF. NO.	PART NUMBER	DESCRIPTION
100	1330519	Belt and Pulley Guard Cover	169	920-04-010-5355	Bearing
101	1246002	(Din 84) M6 x 12mm Slot Cheese Hd Screw	170	1246045	(Din 84) M6 x 10mm Slot Cheese Hd Screw
102	920-04-022-4020	Bearing	171	904-01-010-1604	1/4" Flat Washer
103	1330539	Pivot Pin	172	1330518	Chip Deflector
104	1330709	(Din 934-10) M10 Hex Nut	175	1330521	Feed Roller Sprocket
105	1330523	Idler Bracket	176	1246137	(Din 913) M5 x 8mm Hex Soc Set Screw
106	1330671	(Din 1481) Dia 5 x 36mm Roll Pin	177	1246015	(Din 933) M6 x 20mm Hex Hd Screw
107	1246196	(Din 471) 15e External Retaining Ring	178	1330550	Washer
108	1330678	V-Belt	179	1330679	Belt
109	1330505	Pulley	180	1330507	Cutterhead Pulley
110	428-06-104-0002	Washer	181	1246190	(Din 472) 42i Internal Retaining Ring
111	1246015	(Din 933) M6 x 20mm Hex Hd Screw	182	920-04-022-4020	Bearing
112	1330543	Motor Pulley (Single Phase Only)	183	1330521	Feed Roller Sprocket
113	1330506	Motor Pulley (Three Phase Only)	184	1246137	(Din 913) M5 x 8mm Hex Soc Set Screw
114	428-06-104-0001	Washer	185	1330548	Infeed Roller Adjustment Screw
115	901-01-060-0649	5/16-18 x 1" Hex Hd Screw	186	1330660	Spring
117	1330706	Washer	187	1330549	Chipbreaker Adjustment Screw
118	1246030	(Din 933) M12 x 35mm Hex Hd Screw	188	1330559	Spring
119	1246185	(Din 1481) Dia 5 x 40mm Roll Pin	189	1246077	(Din 1481) Dia 06 x 14mm Roll Pin
120	901-03-010-0791	3/8-16 x 3/4" Soc Hd Screw	190	1246045	(Din 84) M6 x 10mm Slot Cheese Hd Screw
121	1330534	Belt and Pulley Guard	191	1330682	Cord Clamp
122	62-185	Motor (Single Phase Only)	192	1330509	Threaded Lock Bushing
124	1246013	(Din 933) M6 x 12mm Hex Hd Screw	193	422-29-079-0001	Washer
125	1330707	Washer	194	1243398	(Din 934) M8 Hex Nut
126	1243501	(Din 84) M4 x 10mm Slot Cheese Hd Screw	195	1330705	Stud
127	1330541	Plate	196	1330688	Bracket - Left Rear
128	1330540	Handle	197	1313116	Bearing
129	428-07-067-0003	Knob	198	1330557	Key
*	52-590	Three Phase Electrical Kit, Incl:	199	1330522	Lock Rod
130	438-01-016-0181	200-300 V Starter Assembly	200	1330516	Outfeed Roller
130A	1310146	(Din 85) M5 X 30mm Pan Hd Screw	201	1330687	Bracket - Right Rear
130B	1243395	(Din 934) M5 Hex Nut	202	1330508	Lock Bushing
131	86-030	Motor - Three Phase	203	1330548	Infeed Roller Adjustment Screw
132	438-01-004-0007	Cable Clamp	204	428-06-122-0002	Spring
133	438-01-011-0054	Sleeve	205	1330334	Knob
134	1246015	(Din 933) M6 x 20mm Hex Hd Screw	206	1330503	Cover
135	428-06-104-0002	Washer	207	1246181	(Din 471) 25e External Retaining Ring
136	1330520	Sprocket	208	920-04-022-4020	Bearing
137	1246004	(Din 912) M6 x 16mm Soc Hd Screw	209	1330143	Locking Screw
138	1330500	Cover	210	1330558	Knife Locking Bar
139	1330664	Bearing Seal	211	22-656	Set of Three (3) Knives
140	1330662	Bearing	212	1246158	(Din 913) M5 x 16mm Hex Soc Set Screw
141	1330668	O Ring	213	1330112	Adjusting Nut
142	1330532	Sprocket Shaft	214	1330530	Cutterhead
143	1330139	Key	215	1330556	Key
144	428-08-079-0001	Key	216	1313116	Bearing
145	1330510	Gear	217	1330557	Key
146	1330551	Spacer	218	1330517	Infeed Roller
147	1313116	Bearing	219	1330508	Lock Bushing
148	1330075	(Din 471) 20e External Retaining Ring	220	1330552	Collar
149	1330525	Pivot Pin	221	1246137	(Din 913) M5 x 8mm Hex Soc Set Screw
150	1330524	Pivot	222	1330686	Bracket - Right Front
151	1330537	Spring	223	1330536	Chipbreaker Bushing
152	1246130	(Din 84) M6 x 16mm Slot Cheese Hd Screw	224	1330515	Chipbreaker
153	1330670	(Din 6799) RS5 Retaining Ring	225	1330689	Sponge
154	1330535	Guide	226	1330685	Bracket - Left Front
155	1246026	(Din 6799) RS8 Retaining Ring	227	1330522	Lock Rod
156	1330555	Chain (64 Pitches), Incl:	228	1330509	Threaded Lock Bushing
156A	1243660	Master Link	229	428-06-101-0001	10x 13mm Open End Wrench
157	1246104	(Din 912) M6 x 25mm Soc Hd Screw	230	428-06-101-0002	3mm Hex Wrench
158	1344216	Cover, Incl:	231	422-29-101-0002	4mm Hex Wrench
158A	1344217	Seal	232	428-07-101-0002	6mm Hex Wrench
159	1313116	Bearing	233	1330546	Knife Gage, Incl:
160	1330533	Shaft	234	1246023	(Din 1481) Dia 4 x 28mm Roll Pin
161	428-07-079-0005	Key			
162	422-29-139-0002	Bearing	*	NOT SHOWN ASSEMBLED	
163	1243407	(Din 471) 17e External Retaining Ring			
164	422-29-074-0001	Plug			
165	1246004	(Din 912) M6 x 16mm Soc Hd Screw			
166	1330501	Intermediate Shaft Cover			
167	920-04-022-4020	Bearing			
168	1330531	Intermediate Shaft			

This parts list is provided to aid in obtaining service parts. Copies of the instruction and maintenance literature can be obtained through the Delta Technical Publications Department or through your local service outlet.