

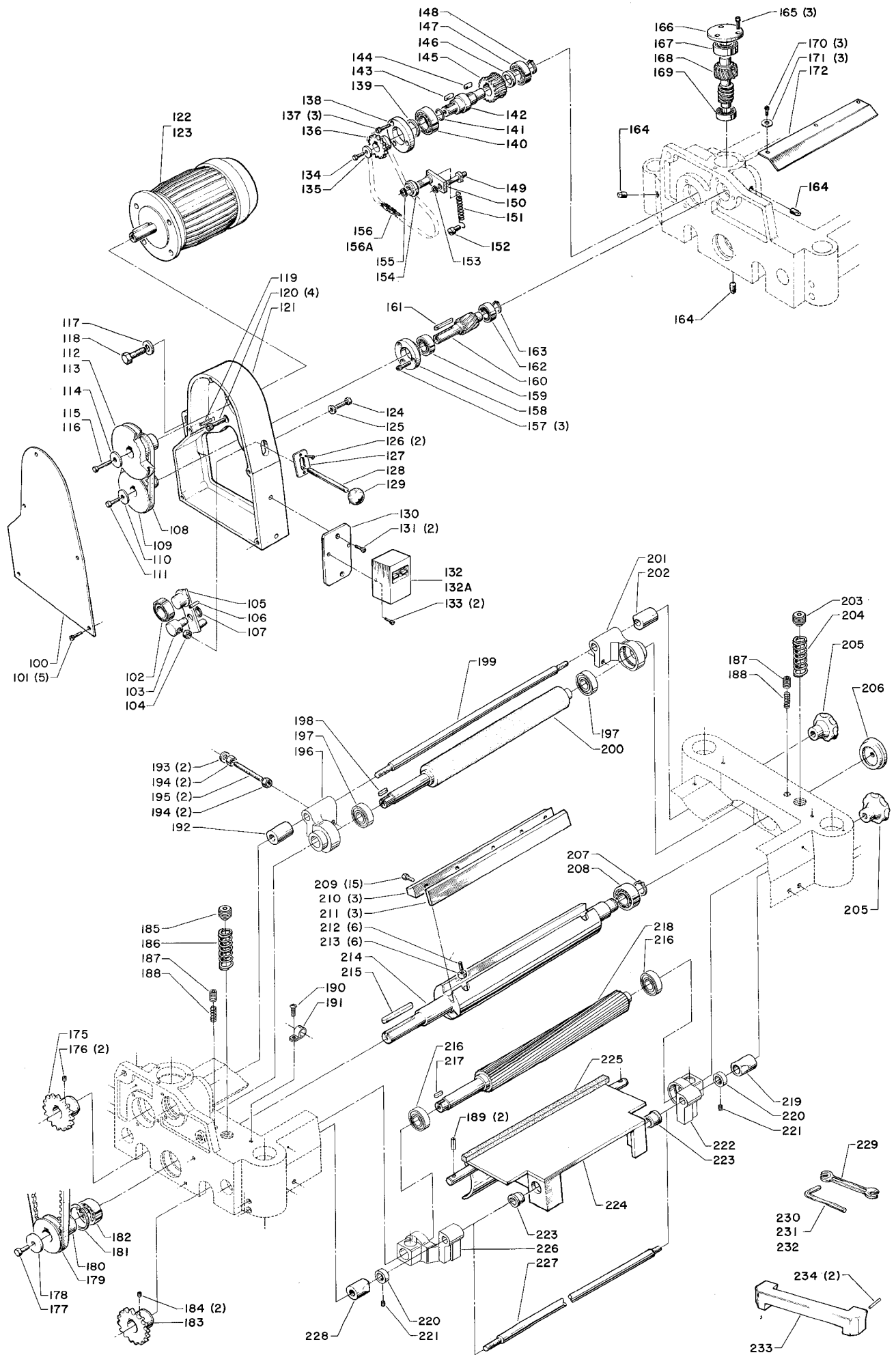
REPLACEMENT PARTS

REF. NO.	PART NUMBER	DESCRIPTION	DESCRIPTION	PART NUMBER	DESCRIPTION	
1	428-06-020-0001	Column Cap	Column Cap	51	428-06-111-0001	Handle Stud
2	1330513	Column - Left Rear	Column - Left Rear	52	428-06-067-0001	Handle
3	1330494	Head Casting	Head Casting	53	428-06-033-0001	Crank
4	1243398	(Din 934) M8 Hex Nut	(Din 934) M8 Hex Nut	54	1246023	(Din 1481) Dia 4 x 28mm Roll Pin
5	1330710	(Din 137) Wave Washer	(Din 137) Wave Washer	55	428-06-017-0002	Bushing
6	1246004	(Din 912) M6 x 16mm Soc Hd Screw	(Din 912) M6 x 16mm Soc Hd Screw	56	1330665	Rivet
7	1330547	Sponge	Sponge	57	1330542	Scale
8	1330504	Spindle Nut	Spindle Nut	58	1330512	Column - Right Front
9	428-06-085-0001	Small Spindle	Small Spindle	59	1330504	Spindle Nut
10	1330495	Table	Table	60	422-28-079-0015	Rivet
12	428-06-079-0003	Key	Key	61	428-06-075-0001	Pointer
13	428-06-104-0003	Spindle Washer	Spindle Washer	62	1246004	(Din 912) M6 x 16mm Soc Hd Screw
14	920-04-012-4029	Bearing	Bearing	63	422-28-079-0015	Rivet
15	1243505	(Din 472) 42i Internal Retaining Ring	(Din 472) 42i Internal Retaining Ring	64	428-06-137-0001	Nameplate
16	428-06-134-0001	Sprocket	Sprocket	65	428-06-085-0002	(Din 912) M6 x 12mm Soc Hd Screw
17	428-06-104-0004	Washer	Washer	66	1246056	1/4" Lockwasher
18	1243496	(Din 934) M10 Hex Nut	(Din 934) M10 Hex Nut	66A	904-02-020-1702	Guide
19	1246004	(Din 912) M6 x 16mm Soc Hd Screw	(Din 912) M6 x 16mm Soc Hd Screw	67	1330708	Key
20	1330504	Spindle Nut	Spindle Nut	68	428-06-079-0003	Spindle Washer
21	1246012	(Din 916) M10 x 20mm Hex Soc Set Screw	(Din 916) M10 x 20mm Hex Soc Set Screw	69	428-06-104-0003	Bearing
22	428-06-085-0001	Small Spindle	Small Spindle	70	920-04-012-4029	(Din 472) 42i Internal Retaining Ring
23	428-06-104-0003	Spindle Washer	Spindle Washer	71	1243505	Sprocket
24	920-04-012-4029	Bearing	Bearing	72	428-06-134-0001	Washer
25	1243505	(Din 472) 42i Internal Retaining Ring	(Din 472) 42i Internal Retaining Ring	73	428-06-104-0004	(Din 934) M10 Hex Nut
26	428-06-134-0001	Sprocket	Sprocket	74	1243496	Chain (118 Pitches), Incl:
27	428-06-104-0004	Washer	Washer	75	1330554	Master Link
28	1243496	(Din 934) M10 Hex Nut	(Din 934) M10 Hex Nut	75A	428-06-023-0004	
29	428-06-079-0003	Key	Key			
31	1243496	(Din 934) M10 Hex Nut	(Din 934) M10 Hex Nut			
32	1330527	Idler Pin	Idler Pin			
33	904-01-010-1605	3/8" Flat Washer	3/8" Flat Washer			
34	1243398	(Din 934) M8 Hex Nut	(Din 934) M8 Hex Nut	**	1246032	(4) (Din 933) M8 x 50mm Hex Hd Screw
35	1330526	Idler Support	Idler Support	**	1243526	(8) (Din 125) 8mm Flat Washer
36	1330535	Guide	Guide	**	1243398	(4) (Din 934) M8 Hex Nut
37	1330683	Idler Screw	Idler Screw			
38	1330684	Chain Cover	Chain Cover			
39	1330511	Column - Left Front	Column - Left Front			
40	1330514	Column - Right Rear	Column - Right Rear			
41	1085187	Warning Label	Warning Label			
42	1246045	(Din 84) M6 x 10mm Slot Cheese Hd Screw	(Din 84) M6 x 10mm Slot Cheese Hd Screw	76	22-658	Shaving Hood, Incl:
43	1330538	Main Cover	Main Cover	77	1246034	(Din 933) M8 x 20mm Hex Hd Screw
44	1330433	Warning Label	Warning Label	78	422-30-079-0006	Washer
44A	1330704	Label	Label	*	50-314	Steel Stand, Const of:
45	1246150	(Din 913) M8 x 25mm Hex Soc Set Screw	(Din 913) M8 x 25mm Hex Soc Set Screw	**	436-02-115-0101	Shelf
46	1243526	(Din 125) 8mm Flat Washer	(Din 125) 8mm Flat Washer	**	902-01-010-1300	5/16-18 Hex Nut
47	1243398	(Din 934) M8 Hex Nut	(Din 934) M8 Hex Nut	**	904-01-010-1620	5/16" Flat Washer
48	1246151	(Din 913) M8 x 40mm Hex Soc Set Screw	(Din 913) M8 x 40mm Hex Soc Set Screw	**	904-02-010-1703	5/16" Lockwasher
50	1246026	(Din 6799) RS8 Retaining Ring	(Din 6799) RS8 Retaining Ring	**	901-11-020-0834	5/16-18 x 3/4" Carriage Bolt
				**	436-02-103-0011	20.915" Tie Bar
				**	436-02-066-0028	23.415" Tie Bar Leg

HARDWARE LISTED BELOW USED TO MOUNT BASE TO STEEL STAND

AVAILABLE AS AN ACCESSORY

* NOT SHOWN ASSEMBLED
** NOT SHOWN



REPLACEMENT PARTS

REF. NO.	PART NUMBER	DESCRIPTION	REF. NO.	PART NUMBER	DESCRIPTION
100	1330519	Belt and Pulley Guard Cover	167	920-04-022-4020	Bearing
101	1246002	(Din 84) M6 x 12mm Slot Cheese Hd Screw	168	1330531	Intermediate Shaft
102	920-04-022-4020	Bearing	169	920-04-010-5355	Bearing
103	1330539	Pivot Pin	170	1246045	(Din 84) M6 x 10mm Slot Cheese Hd Screw
104	1330709	(Din 934-10) M10 Hex Nut	171	904-01-010-1604	1/4" Flat Washer
105	1330523	Idler Bracket	172	1330518	Chip Deflector
106	1330671	(Din 1481) Dia 5 x 36mm Roll Pin	175	1330521	Feed Roller Sprocket
107	1246196	(Din 471) 15e External Retaining Ring	176	1246137	(Din 913) M5 x 8mm Hex Soc Set Screw
108	1330678	V-Belt	177	1246015	(Din 933) M6 x 20mm Hex Hd Screw
109	1330505	Pulley	178	1330550	Washer
110	428-06-104-0002	Washer	179	1330679	Belt
111	1246015	(Din 933) M6 x 20mm Hex Hd Screw	180	1330507	Cutterhead Pulley
112	1330543	Motor Pulley (Single Phase Only)	181	1246190	(Din 472) 42i Internal Retaining Ring
113	1330506	Motor Pulley (Three Phase Only)	182	920-04-022-4020	Bearing
114	428-06-104-0001	Washer	183	1330521	Feed Roller Sprocket
115	901-01-060-0649	5/16-18 x 1" Hex Hd Screw (Single Phase Only)	184	1246137	(Din 913) M5 x 8mm Hex Soc Set Screw
116	1246016	(Din 933) M8 x 25mm Hex Hd Screw (Three Phase Only)	185	1330548	Infeed Roller Adjustment Screw
117	1330706	Washer	186	1330660	Spring
118	1246030	(Din 933) M12 x 35mm Hex Hd Screw	187	1330549	Chipbreaker Adjustment Screw
119	1246185	(Din 1481) Dia 5 x 40mm Roll Pin	188	1330559	Spring
120	901-03-010-0791	3/8-16 X 3/4" Soc Hd Screw	189	1246077	(Din 1481) Dia 06 x 14mm Roll Pin
121	1330534	Belt and Pulley Guard	190	1246045	(Din 84) M6 x 10mm Slot Cheese Hd Screw
122	62-185	Motor (Single Phase Only)	191	1330682	Cord Clamp
123	438-02-314-1040	Motor (Three Phase Only)	192	1330509	Threaded Lock Bushing
124	1246013	(Din 933) M6 x 12mm Hex Hd Screw	193	422-29-079-0001	Washer
125	1330707	Washer	194	1243398	(Din 934) M8 Hex Nut
126	1243501	(Din 84) M4 x 10mm Slot Cheese Hd Screw	195	1330705	Stud
127	1330541	Plate	196	1330688	Bracket - Left Rear
128	1330540	Handle	197	1313116	Bearing
129	428-07-067-0003	Knob	198	1330557	Key
130	1330672	Plate	199	1330522	Lock Rod
131	1246048	(Din 963) M8 x 20mm Flat Hd Screw	200	1330516	Outfeed Roller
132	438-01-016-0166	Complete Motor starter, 220V, 3 Phase, 60 Hz	201	1330687	Bracket - Right Rear
132A	438-01-016-0173	Complete Motor Starter, 440V, 3 Phase, 60 Hz	202	1330508	Lock Bushing
133	1243501	(Din 84) M4 x 10mm Slot Cheese Hd Screw	203	1330548	Infeed Roller Adjustment Screw
134	1246015	(Din 933) M6 x 20mm Hex Hd Screw	204	428-06-122-0002	Spring
135	428-06-104-0002	Washer	205	1330334	Knob
136	1330520	Sprocket	206	1330503	Cover
137	1246004	(Din 912) M6 x 16mm Soc Hd Screw	207	1246181	(Din 471) 25e External Retaining Ring
138	1330500	Cover	208	920-04-022-4020	Bearing
139	1330664	Bearing Seal	209	1330143	Locking Screw
140	1330662	Bearing	210	1330558	Knife Locking Bar
141	1330668	O Ring	211	22-656	Set of Three (3) Knives
142	1330532	Sprocket Shaft	212	1246158	(Din 913) M5 x 16mm Hex Soc Set Screw
143	1330139	Key	213	1330112	Adjusting Nut
144	428-08-079-0001	Key	214	1330530	Cutterhead
145	1330510	Gear	215	1330556	Key
146	1330551	Spacer	216	1313116	Bearing
147	1313116	Bearing	217	1330557	Key
148	1330075	(Din 471) 20e External Retaining Ring	218	1330517	Infeed Roller
149	1330525	Pivot Pin	219	1330508	Lock Bushing
150	1330524	Pivot	220	1330552	Collar
151	1330537	Spring	221	1246137	(Din 913) M5 x 8mm Hex Soc Set Screw
152	1246130	(Din 84) M6 x 16mm Slot Cheese Hd Screw	222	1330686	Bracket - Right Front
153	1330670	(Din 6799) RS5 Retaining Ring	223	1330536	Chipbreaker Bushing
154	1330535	Guide	224	1330515	Chipbreaker
155	1246026	(Din 6799) RS8 Retaining Ring	225	1330689	Sponge
156	1330555	Chain (64 Pitches), Incl:	226	1330685	Bracket - Left Front
156A	1243660	Master Link	227	1330522	Lock Rod
157	1246004	(Din 912) M6 x 16mm Soc Hd Screw	228	1330509	Threaded Lock Bushing
158	1330502	Cover	229	428-06-101-0001	10x 13mm Open End Wrench
159	1313116	Bearing	230	428-06-101-0002	3mm Hex Wrench
160	1330533	Shaft	231	422-29-101-0002	4mm Hex Wrench
161	428-07-079-0005	Key	232	428-07-101-0002	6mm Hex Wrench
162	422-29-139-0002	Bearing	233	1330546	Knife Gage, Incl:
163	1243407	(Din 471) 17e External Retaining Ring	234	1246023	(Din 1481) Dia 4 x 28mm Roll Pin
164	422-29-074-0001	Plug			
165	1246004	(Din 912) M6 x 16mm Soc Hd Screw			
166	1330501	Intermediate Shaft Cover			

* NOT SHOWN ASSEMBLED

This parts list is provided to aid in obtaining service parts. Copies of the instruction and maintenance literature can be obtained through the Delta Technical Publications Department or through your local service outlet.