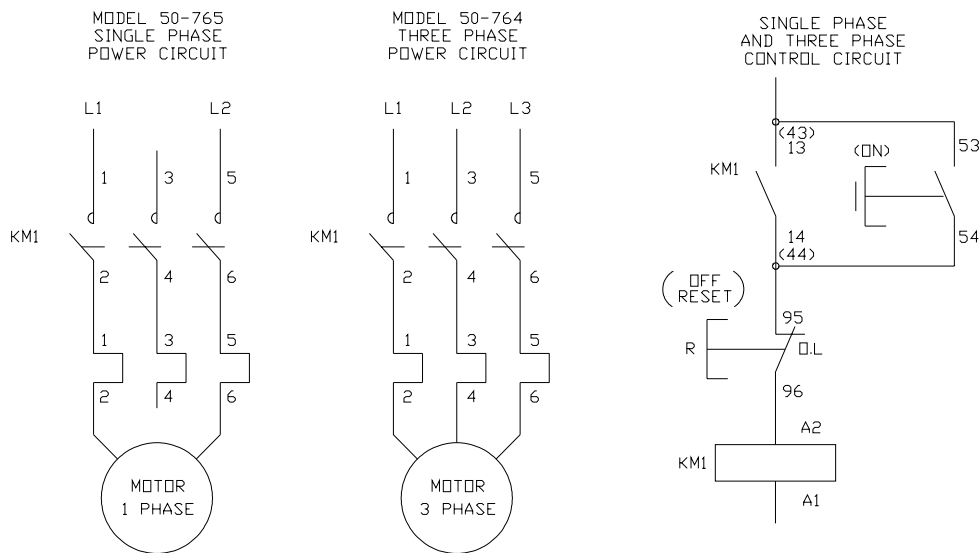


# REPLACEMENT PARTS

**Ref.**

<b>No.</b>	<b>Part No.</b>	<b>Description</b>
1	901-01-060-0609	5/16-18 X 1-1/2" SCREW
2	A04590	HANGER
3	1340647	5/16" FLAT WASHER
4	901-01-060-0607	5/16-18 X 3/4" SCREW
5	A04591	UPPER HANGER
6	A04592	LOWER HANGER
8	1350409	5/16-18 HEX NUT
9	901-01-060-0635	5/16-18 X 2" SCREW
11	1350307	5/16-18 X 1" SCREW
12	A04586	DUST BAG
13	1342858	CAP
14	902240	INTAKE PORT
15	1310547	M4 X 12MM SCREW
19	1342855	SPECIAL NUT
20	1342854	SPECIAL WASHER
21	1342853	IMPELLER
23	1343390	5/16" LOCK WASHER
27	904-01-031-2905	5/16" FLAT WASHER
28	902-01-100-1028	1/2-13 HEX NUT
29	901-01-060-0616	1/2-13 X 1-1/2" SCREW
34	1350409	5/16-18 HEX NUT
35	1344330	M8 FLAT WASHER
36	1350307	5/16-18 X 1" SCREW
37	A04607	CLAMP
38	A04585	PLASTIC BAG
40	1243502	M10 FLAT WASHER
41	A04470	KNOB
43	1342848	CASTER
44	1344330	M8 FLAT WASHER
45	A04587	HARDWARE PACK
46	A05128	START CAPACITOR, 50-765
47	A05129	RUN CAPACITOR, 50-765



## STANDARD SAFETY EQUIPMENT

In order to promote tool safety, Delta Machinery strictly enforces the policy of repairing or replacing any damaged or missing standard safety equipment on machines presented to Delta Authorized Service Centers for service/repairs. Any product that is presented to a Delta Authorized Service Center for repair with damaged or missing standard safety equipment will have that equipment repaired or replaced and the customer will be charged for any such service/repairs. Customers can avoid such charges only if the missing safety component is supplied to the service center at the time of repair.

This parts list is provided to aid in obtaining service parts. Copies of the instruction and maintenance literature can be obtained through the Delta Technical Publications Department, your service outlet, or by visiting the Delta Website @ [www.deltamachinery.com](http://www.deltamachinery.com).