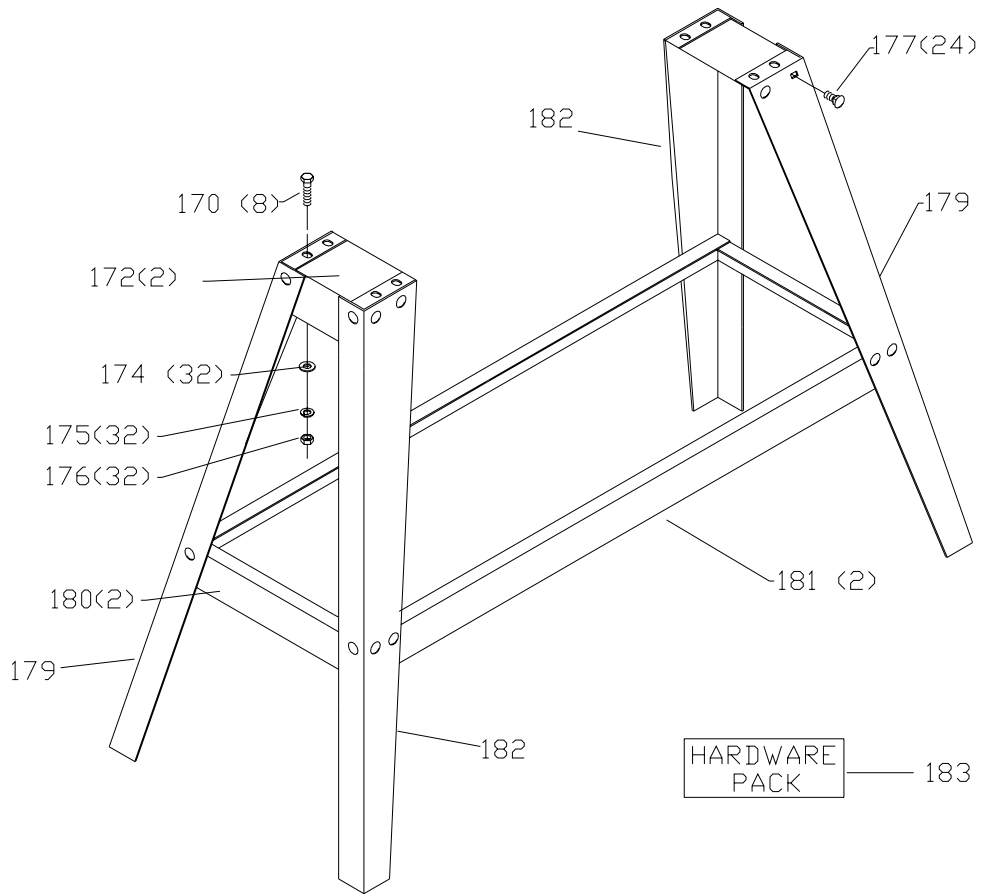


REPLACEMENT PARTS

<u>Ref.</u>	<u>Part No.</u>	<u>Description</u>	<u>Ref.</u>	<u>Part No.</u>	<u>Description</u>
1	1342455	PAN HD SCREW	75	901802	FRONT SWITCH BOX
2	1320101	EXT TOOTH WASHER	76	1246016	HEX HD SCREW
3	901741	MOTOR COVER	77	901800	SWITCH GUARD
4	901734	EXT RETAINING RING	78	901801	SWITCH
5	1243321	HEX SOC SET SCREW	79	901811	POWER CORD
6	909945	PULLEY SET	80	901781	BOLT
8	901737	SPRING	81	901785	BALL
9	901738	SPRING BUSHING	82	901786	SPRING
10	901739	KEY	83	901783	LOCK PLATE
11	901740	MOTOR	84	901784	M16 FLAT WASHER
11A	903260	MOTOR PLATE	85	1313165	LOCK NUT
12	1243360	LOCK WASHER	86	1330261	SPRING PIN
13	1243561	HEX SOC HD SCREW	95	1246045	CHEESE HD SCREW
14	901782	EXT RETAINING RING	96	901790	STOP PLATE
15	909946	PULLEY SET	97	901780	BED
16	1246161	HEX SOC SET SCREW	*	903735	TOOL REST ASSEMBLY, INCL.: REF. 100 THRU 116
17	901731	V-BELT	100	901778	BOLT EYE
18	901722	BUSHING	101	901779	LOCK PLATE
20	901766	EXT RETAINING RING	102	1313165	LOCK NUT
21	901770	EXT RETAINING RING	103	901761	RETAINING RING
22	901729	BEARING	104	901763	TOOL REST BASE
23	1246081	PIN	105	901764	ECCENTRIC SHAFT
24	901728	YOKE	106	901759	SLEEVE
25	901727	SPLINE	107	n 913044	HANDLE ASSY, T2, INCL.: REF. 112 THRU 116
26	901765	FOLLOWER		903739	HANDLE ASSY, T1, INCL.: REF. 112 THRU 116
27	1340945	CENTER POINT	108	901758	TOOL REST BRACKET
28	1340946	DRIVE CENTER, INCL.: REF. 27	110	901756	TOOL REST
29	901793	FACE PLATE	112	1343642	M6 X 1.0 NUT
30	901719	SPINDLE	113	1246140	M6.4 WASHER
31	901720	KEY	114	901757	SPRING
32	901721	BEARING	115	n 909935	HANDLE, T2
33	901724	WAVE WASHER		901760	HANDLE, T1
34	901725	RETAINING RING	116	901726	STUD
35	901733	RETAINING RING	120	901771	HANDLE
36	901723	RUBBER PAD	121	n 912044	HANDLE, T2
37	901742	HEADSTOCK		901772	HANDLE, T1
38	901743	GEAR SHAFT	122	1342125	HEX SOC HD SCREW, T1
39	901744	RETAINING RING	123	1246053	HEX SOC HD SCREW
40	901745	SPEED INDICATOR PLATE	124	1344933	HEX SOC HD SCREW
41	1344950	FLAT HD SCREW	125	n 912043	PLATE, T2
42	1246110	PIN		903750	PLATE, T1
43	901752	VARIABLE SPEED HANDLE	126	n 912041	TAIL STOCK, T2
44	901751	LOCK PLATE		901773	TAIL STOCK, T1
45	901750	SPRING	127	n 913043	HANDLE ASSY, T2, INCL.: REF. 112,113,114,115, & 128
46	901749	BUTTON		903738	HANDLE ASSY, T1, INCL.: REF. 112,113,114,115, & 128
47	901747	PIN	128	901762	STUD
48	1310159	PAN HD SCREW	129	901768	EXT RETAINING RING 19
49	901748	TUBE	130	1243303	HEX SOC SET SCREW
50	901746	RUBBER SLEEVE COVER	131	901767	ECCENTRIC SHAFT
51	901798	HAND WHEEL	132	n 912045	SPINDLE SCREW, T2
52	901787	M6X108 SCREW HEX SOC HD		901774	SPINDLE SCREW, T1
53	903751	INDEXING ASSEMBLY	133	n 912042	QUILL, T2
58	901753	LOCK PLATE		901775	QUILL, T1
59	901754	LOCK SHAFT	134	1342071	LIVE CENTER, INCL.: REF. 27
60	901755	KNOB	135	901776	SPECIAL BOLT
62	1343533	LOCK WASHER	136	903262	QUILL SCALE
63	901809	WIRE CLIP	149	900924	WARNING LABEL ENG & SPAN
64	901808	WIRE SLEEVE	151	903254	VS LABEL
65	1243398	HEX NUT	153	903256	NAME PLATE
66	1310216	EXT TOOTH WASHER	157A	1310016	DRIVE SCREW
67	901799	SWITCH SUPPORT BRACKET	162	901791	KNOCKOUT BAR
68	1347781	HEX HD SCREW	163	901792	SPINDLE WRENCH
*	903737	SWITCH ASSEMBLY, INCL.: REF. 69 THRU 79	165	900924	WARNING LABEL
69	901769	BACK SWITCH BOX	166	n 1347582	KEY, T2
70	1342455	PAN HD SCREW	167	n 1246132	M08 X 1.25 X 16MM HEX SOC SET SCREW, T2
71	901804	RETAINING RING	168	n 1313165	M16 X 2.0 LOCK NUT, T2
72	901806	M4.2 X 16MM SCREW			
73	901805	M4.2 X 12MM SCREW	*		NOT SHOWN ASSEMBLED
74	901803	WIRING PLATE			



Ref.

No.	Part No.	Description
170	1246093	SCREW-HEX HD
172	901813	BED MOUNTING PLATE
174	1243526	FLAT WASHER
175	1246157	LOCK WASHER
176	1243398	HEX NUT
177	1349177	CARRIAGE HD SCREW
179	901812	LEG
180	901814	SHORT BRACKET
181	901816	LONG BRACKET
182	903746	LEG
183	903745	STAND HARDWARE PACK

STANDARD SAFETY EQUIPMENT

In order to promote tool safety, Delta Machinery strictly enforces the policy of repairing or replacing any damaged or missing standard safety equipment on machines presented to Delta Authorized Service Centers for service/repairs. Any product that is presented to a Delta Authorized Service Centers for repairs which contains missing or damaged standard safety equipment will have that equipment repaired or replaced and the customer will be charged for any such service/repairs. Customers can avoid such charges only if the missing safety component is supplied to the service center at the time of repair.

This parts list is provided to aid in obtaining service parts. Copies of the instruction and maintenance literature can be obtained through the Delta Technical Publications Department or through your service outlet.