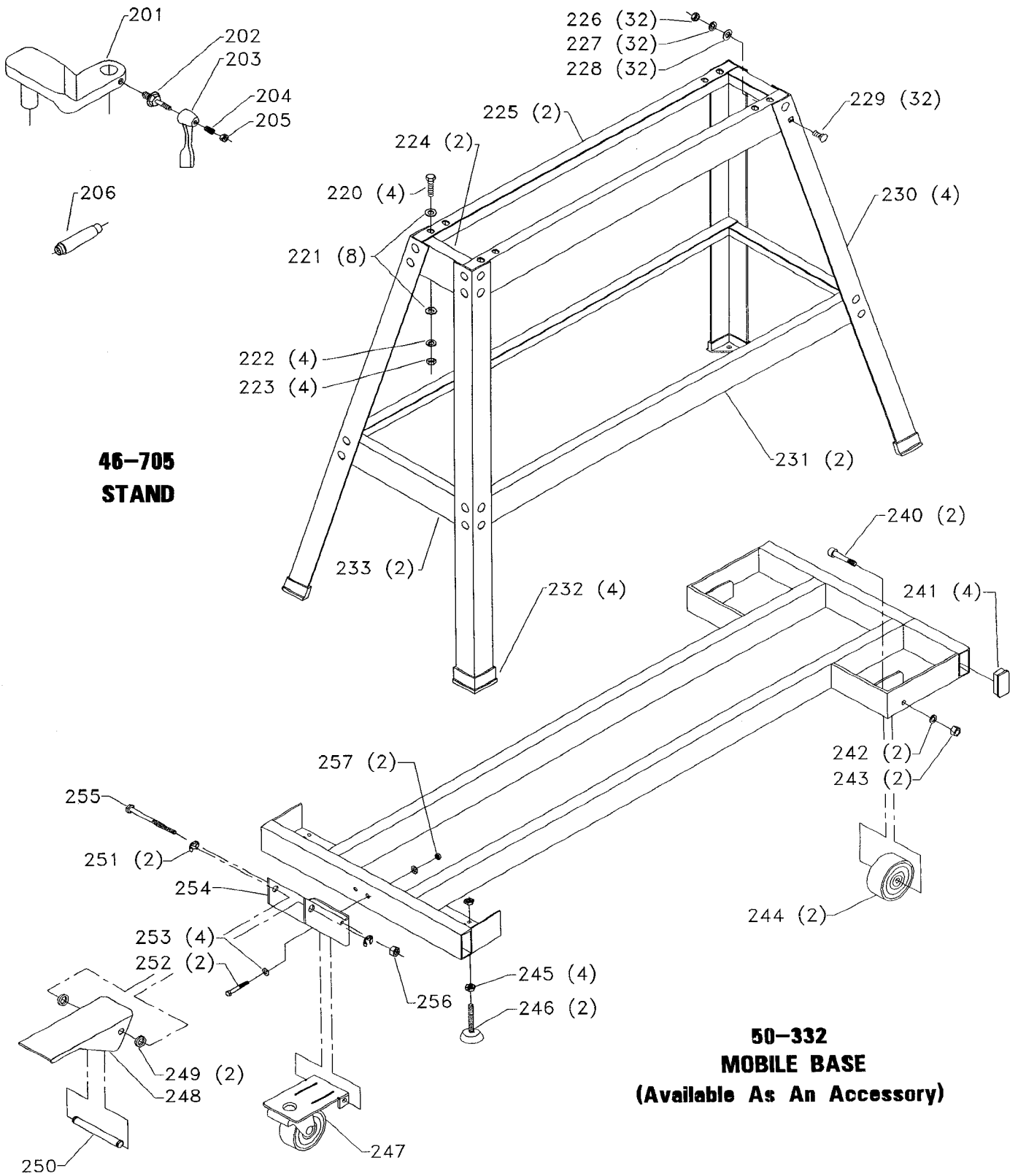


REPLACEMENT PARTS

| REF NO | PART NUMBER | DESCRIPTION | REF NO | PART NUMBER | DESCRIPTION |
|--------|-----------------|--|--------|-----------------|---|
| * | 434-08-430-0004 | MOTOR PULLEY ASSY, CONST OF: | 54 | 434-08-106-0004 | LOCKING SHAFT |
| 1 | 434-08-020-0006 | BEARING CAP | 55 | 434-08-058-0002 | HEADSTOCK |
| 2 | 434-08-430-0010 | PULLEY ASSEMBLY, INCL: | 56 | 434-08-075-0002 | POINTER |
| 3 | 920-04-020-5360 | BALL BEARING | 57 | 901-04-153-1643 | #8-32 X 1/4" HEX SOC SET SCREW |
| 4 | 901-04-150-0232 | 1/4-20 X 3/8" HEX SOC SET SCREW | 58 | 406-03-033-0002 | RATCHET HANDLE |
| 5 | 434-08-130-0006 | SMALL PULLEY (FIXED) | 59 | 406-03-112-0006 | SPECIAL SCREW |
| 6 | 62-237 | MOTOR (Current Models Only) | 60 | 406-03-122-0002 | SPRING |
| 7 | 901-01-060-0640 | 3/8-16 X 3/4" HEX HD SCREW (Early Models Only) | 61 | 434-08-019-0001 | CAM |
| 8 | 901-01-060-0648 | 3/8-16 X 1 1/4" HEX HD SCREW (Early Models Only) | 62 | 434-08-310-0001 | CAM BLOCK ASSY, INCL: |
| 9 | 904-02-020-1704 | 3/8" LOCK WASHER (Early Models Only) | 63 | 904-01-010-1606 | 7/16" FLAT WASHER (Current Models Only) |
| 10 | 62-242 | MOTOR (Early Models Only) | 64 | 902-01-213-1790 | 7/16-14 HEX LOCK NUT (Current Models Only) |
| 11 | 438-01-004-0096 | STRAIN RELIEF | 64A | 422-32-088-0001 | 1/2-13 HEX LOCK NUT (Early Models (Early Models Only) |
| 12 | 1343759 | SWITCH, INCL: | 65 | 434-08-027-0002 | KEY |
| 13 | 400-06-068-0002 | SWITCH KEY | 70 | 46-709 | DRIVE CENTER, INCL: |
| 14 | 434-08-331-0001 | COVER ASSY, INCL: | 71 | 434-08-022-0004 | CENTER POINT (Early Models Only) |
| 15 | 901-05-163-1229 | #10-16 X 1/2" PAN HD SCREW | 72 | 46-936 | 3" FACE PLATE |
| 16 | 434-08-754-0005 | WARNING LABEL | 73 | 901-06-121-7381 | #10-24 X 1/2" PAN HD SCREW |
| 17 | 434-08-132-0002 | HEADSTOCK SCALE | 74 | 901-06-121-7381 | #10-24 X 1/2" PAN HD SCREW |
| 18 | 434-08-754-0006 | WARNING LABEL | 75 | 46-712 | LIVE CENTER |
| 19 | 434-08-754-0004 | LOCK/UNLOCK LABEL | * | 434-08-392-0001 | TAILSTOCK ASSY, CONST OF: |
| * | 434-08-358-0001 | HEADSTOCK ASSY, CONST OF: | 76 | 434-08-106-0001 | QUILL |
| 20 | 434-08-014-0002 | MOTOR BRACKET (Early Models Only) | 77 | 434-08-132-0001 | SCALE |
| 21 | 434-08-079-0001 | PIVOT NUT | 78 | 434-08-112-0001 | SCREW |
| 22 | 434-08-067-0001 | LEVER | 79 | 904-07-010-5562 | 3/4" FIBER WASHER |
| 23 | 901-06-121-7381 | #10-24 X 1/2" PAN HD SCREW | 80 | 902-01-212-2409 | 1/4-20 LOCK NUT |
| 24 | 903-01-033-1639 | PIN | 81 | 406-03-122-0002 | SPRING |
| 25 | 434-08-014-0001 | CLEVIS BRACKET | 82 | 422-34-111-0002 | STUD |
| 26 | 904-15-243-1638 | E-RING | 83 | 434-08-067-0003 | LEVER |
| 27 | 434-08-122-0001 | TAPERED SPRING | 84 | 904-07-010-5562 | 3/4" FIBER WASHER |
| 28 | 434-08-430-0005 | LARGE PULLEY ASSY | 85 | 434-08-400-0001 | HANDWHEEL ASSY |
| 29 | 49-139 | DRIVE BELT | 86 | 902-01-021-7801 | 9/16-12 JAM NUT |
| 30 | 434-08-130-0007 | LARGE PULLEY (FIXED) | 87 | 902-01-213-1635 | 3/8-16 LOCK NUT |
| 31 | 901-04-150-0232 | 1/4-20 X 3/8" HEX SOC SET SCREW | 88 | 928-01-023-1644 | SPRING |
| 32 | 902-01-030-9358 | 1-8 HEX NUT | 89 | 434-08-067-0002 | LEVER |
| 33 | 904-15-100-7021 | INT RET RING | 90 | 902-01-043-1646 | 3/8-16 HEX NUT |
| 34 | 928-06-013-1535 | LOAD SPRING | 91 | 904-01-010-1615 | FLAT WASHER |
| 35 | 920-04-020-5360 | BALL BEARING | 92 | 434-08-092-0001 | TAILSTOCK |
| 36 | 904-15-013-1047 | EXT RET RING | 93 | 434-08-072-0001 | CLAMP PLATE |
| 37 | 927-03-023-1641 | KEY | 94 | 901-01-063-1637 | SCREW |
| 38 | 434-08-385-0001 | SPINDLE SHAFT | 95 | 434-08-306-0001 | BED |
| 39 | 904-15-013-1047 | EXT RET RING | 96 | 46-711 | 12" TOOL REST |
| 40 | 920-04-020-5360 | BALL BEARING | * | 46-707 | TOOL REST BASE, CONST OF: |
| 41 | 904-15-100-7021 | INT RET RING | 97 | 434-08-108-0001 | CAM ROD |
| 42 | 901-01-060-0649 | 5/16-18 X 1" HEX HD SCREW | 98 | 905-01-010-2706 | 3/16" X 1" SPRING PIN |
| 43 | 902-01-020-5435 | 5/16-18 JAM NUT | 99 | 434-08-005-0001 | TOOL REST BASE, INCL: |
| 44 | 901-01-060-0648 | 3/8-16 X 1 1/4" HEX HD SCREW | 100 | 434-02-327-5004 | CLAMP ASSY |
| 45 | 904-02-020-1704 | 3/8" LOCK WASHER | 101 | 434-03-112-0002 | EYE BOLT |
| 46 | 434-08-071-0002 | PIN | 102 | 434-08-072-0001 | CLAMP PLATE |
| 47 | 928-01-041-4118 | COIL SPRING | 103 | 904-01-010-1615 | FLAT WASHER |
| 48 | 904-01-031-2923 | FLAT WASHER | 104 | 902-01-213-1635 | 3/8-16 LOCK NUT |
| 49 | 904-07-133-1645 | NYLON WASHER | 110 | 46-905 | KNOCKOUT BAR, INCL: |
| 50 | 434-08-106-0003 | SPEED CHANGER SHAFT | 111 | 931-01-021-4099 | KNOB-SCREW ON |
| 51 | 901-04-153-1643 | #8-32 X 1/4" HEX SOC SET SCREW | 112 | 1346325 | WRENCH |
| 52 | 434-08-075-0002 | POINTER | 113 | 434-08-101-0002 | WRENCH |
| 53 | 434-08-072-0003 | PLATE | | | |

* NOT SHOWN ASSEMBLED



**46-705
STAND**

**50-332
MOBILE BASE
(Available As An Accessory)**

REPLACEMENT PARTS

| REF NO | PART NUMBER | DESCRIPTION |
|--------|-----------------|---|
| * | 46-706 | TOOL REST ASSY, CONST OF: |
| 201 | 434-08-089-0001 | TOOL REST |
| 202 | 422-34-111-0002 | STUD |
| 203 | 434-08-067-0003 | LEVER |
| 204 | 406-03-122-0002 | SPRING |
| 205 | 902-01-212-2409 | 1/4-20 LOCK NUT |
| 206 | 46-708 | HOLLOW CUP CENTER |
| * | 46-705 | HOME SHOP LATHE STAND (Supplied with 46-701 Only), CONST OF: |
| 220 | 901-01-060-0617 | 3/8-16 X 1 1/2" HEX HD SCREW |
| 221 | 904-01-010-1615 | FLAT WASHÉR |
| 222 | 904-02-020-1704 | 3/8" LOCK WASHER |
| 223 | 902-01-040-1026 | 3/8-16 HEX NUT |
| 224 | 427-99-014-0093 | BRACKET (5.75") |
| 225 | 427-99-014-0073 | BRACKET (31.75") |
| 226 | 902-01-010-1300 | 5/16-18 HEX NUT |
| 227 | 904-02-010-1703 | 5/16" LOCK WASHER |
| 228 | 904-01-010-1620 | FLAT WASHER |
| 229 | 901-11-023-1476 | 5/16-18 X 5/8" CARRIAGE HD SCREW |
| 230 | 427-99-066-0034 | LEG |
| 231 | 427-99-014-0074 | BRACKET (38.13") |
| 232 | 427-99-048-0001 | FOOT |
| 233 | 427-99-014-0075 | BRACKET (11.75") |

AVAILABLE AS AN ACCESSORY

| | | |
|-----|-----------------|-----------------------------------|
| * | 50-332 | MOBILE BASE, CONST OF: |
| 240 | 901-03-010-8024 | 5/16-18 X 2 1/4" HEX SOC HD SCREW |
| 241 | 436-02-020-0003 | CAP (1"X 2") |
| 242 | 904-02-010-1703 | 5/16" LOCK WASHER |
| 243 | 902-01-010-1300 | 5/16-18 HEX NUT |
| 244 | 436-02-100-0002 | RUBBER WHEEL |
| 245 | 902-01-010-1300 | 5/16-18 HEX NUT |
| 246 | 436-02-048-0009 | LEVELING SCREW |
| 247 | 436-02-400-0005 | CASTER ASSY |
| 248 | 436-02-367-0005 | FOOT LEVER ASSY, INCL: |
| 249 | 904-01-010-1636 | FLAT WASHER |
| 250 | 436-02-071-0001 | PIN |
| 251 | 904-15-012-0052 | EXT RET RING |
| 252 | 901-01-060-0609 | 5/16-18 X 1 1/2" HEX HD SCREW |
| 253 | 904-01-010-1620 | FLAT WASHER |
| 254 | 436-02-014-0016 | BRACKET |
| 255 | 901-01-063-1537 | 5/16-18 X 4" HEX HD SCREW |
| 256 | 902-01-210-1072 | 5/16-18 LOCK NUT |
| 257 | 902-01-010-1300 | 5/16-18 HEX NUT |

* NOT SHOWN ASSEMBLED

STANDARD SAFETY EQUIPMENT

In order to promote tool safety, Delta International Machinery Corp. strictly enforces the policy of repairing or replacing any damaged or missing standard safety equipment on machines presented to Delta Authorized Service Center for service/repairs. Any product which is presented to a Delta Authorized Service Center for repairs which contains missing or damaged standard safety equipment will have that equipment repaired or replaced and the customer will be charged for any such service/repairs. Customers can avoid such charges only if the missing safety component is supplied to the service center at the time of repair.

This parts list is provided to aid in obtaining service parts. Copies of the instruction and maintenance literature can be obtained through the Delta Technical Publications Department or through your local service outlet.