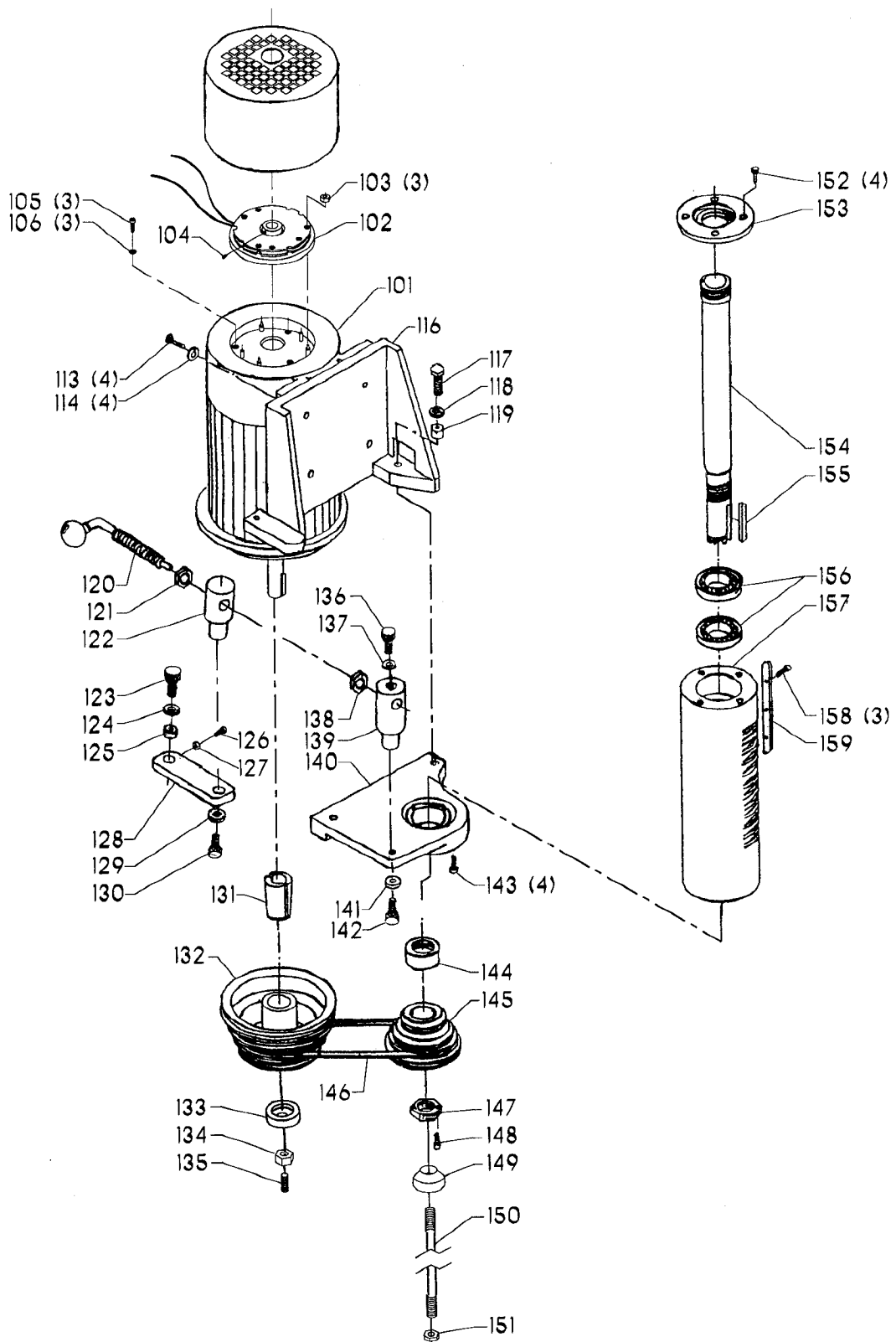


# REPLACEMENT PARTS

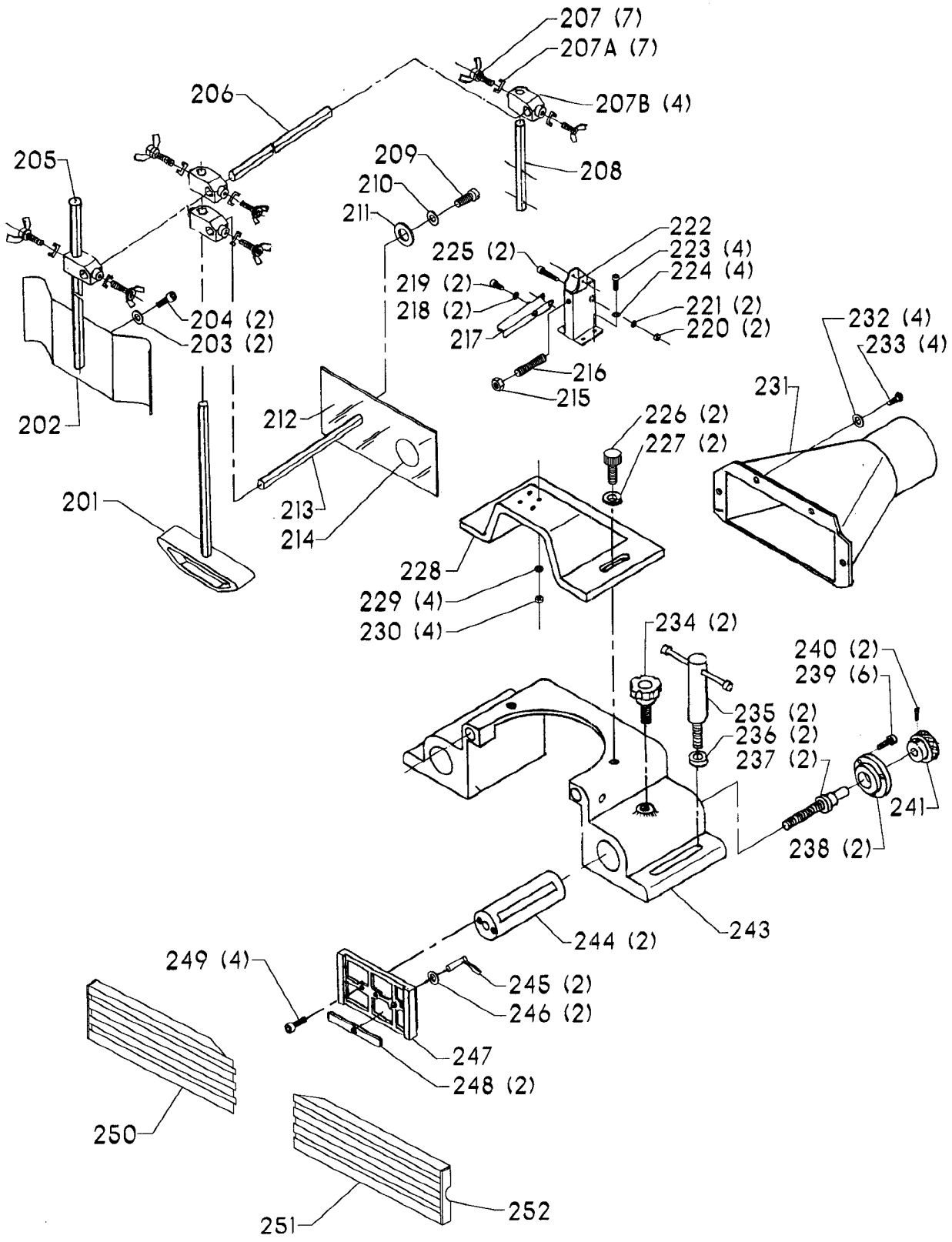
<u>REF. NO.</u>	<u>PART NUMBER</u>	<u>DESCRIPTION</u>
1	1348579	HOUSING
2	1348578	PIN
3	1348577	SPRING
4	1348576	BUSHING
5	1348575	HOUSING
6	1348574	CABLE ASSY
7	1246065	(DIN 7980) M12.2 LOCK WASHER
8	1246172	(DIN 912) M12 X 45MM HEX SOC HD SCR
9	1348580	SUPPORT
10	1348581	GEAR
11	1348582	COVER
12	1246051	(DIN 912) M5 X 12MM HEX SOC HD SCR
13	1348583	SHAFT
14	1345537	KEY
15	1348584	COVER
16	920-04-022-4020	BALL BEARING
17	1348585	RETAINING RING
18	1341783	(DIN 84) M5 X 25MM CHEESE HD SCR
19	1348586	COVER
20	1348588	CABINET
21	1341945	(DIN 125) M12 FLAT WASHER
22	1246065	(DIN 7980) M12.2 LOCK WASHER
22A	1330667	(DIN 933) M12 X 30MM HEX HD SCR
23	1348587	COVER
24	1341235	(DIN 84) M4 X 12MM CHEESE HD SCR
25A	1348477	PANEL 43-791
25B	1348478	PANEL 43-792
26	1348605	OFF SWITCH
27	1348604	DIRECTION SWITCH
28	1348603	START SWITCH
29	1348607	HANDLE & LATCH
30	1348479	LABEL
31	1348599	SCR
31A	1348598	PLUNGER
32	1330200	(DIN 916) M8 X 12MM HEX SOC SET SCR
33	1348601	SPRING
34	1243426	(DIN 5401) 8MM STEEL BALL
35	1348600	HOUSING
36	1243549	(DIN 916) M6 X 12MM HEX SOC SET SCR
37	1348602	KNOB
38	1344933	(DIN 912) M5 X 20MM HEX SOC HD SCR
39	1348480	LABEL
40	1348481	DIRECTION ARROW
41	1348589	CONTROL 220V
41A	1348629	CONTROL 440V
41B	1347618	TRANSFORMER
42	1348590	COVER
43	1310148	(DIN 85) M5 X 60MM PAN HD SCR
44	1349494	HOUSING
45	1246104	(DIN 912) M6 X 25MM HEX SOC HD SCR
46	1347619	HANDWHEEL
47	1348594	NUT
48	1348593	HANDLE
49	1348595	SHAFT
50	1345537	KEY
51	1348596	HANDWHEEL
52	1246065	(DIN 7980) M12.2 LOCK WASHER
53	1348597	NUT
54	1348155	(DIN 7985) M2 X 6MM PAN HD SCR
55	1347617	POINTER
56	1349905	SWITCH ASSY



## REPLACEMENT PARTS

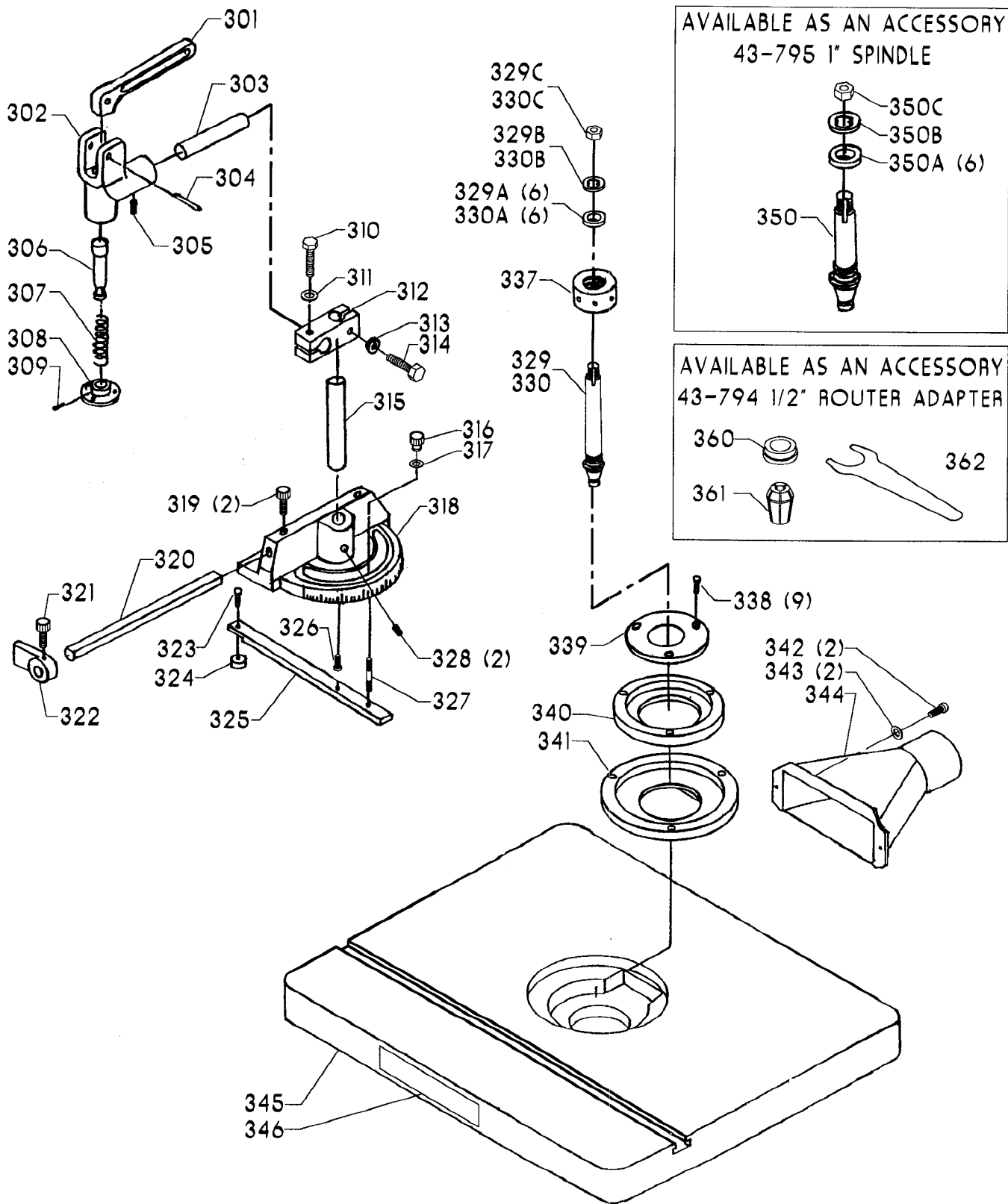
<u>REF. NO.</u>	<u>PART NUMBER</u>	<u>DESCRIPTION</u>
101	1348557	MOTOR 7.5HP 3PH ASSY, INCL:
102	1348630	BRAKE ASSY
**	1348666	ELECTRONIC BRAKE CONTROL
103	1343504	(DIN 985) M5 LOCK NUT
104	1246008	(DIN 916) M5 X 12MM HEX SOC SET SCR
105	1343915	(DIN 912) M5 X 35MM HEX SOC HD SCR
106	1343538	(DIN 7980) M5.1 LOCK WASHER
113	1246019	(DIN 933) M10 X 35MM HEX HD SCR
114	1243360	(DIN 7980) M10.2 LOCK WASHER
116	1348558	MOTOR PLATE
117	1330158	(DIN 933) M10 X 45MM HEX HD SCR
118	1243502	(DIN 125) M10 FLAT WASHER
119	1348559	SPACER
120	1348638	HANDLE
121	1246114	(DIN 934) M16 HEX NUT
122	1348563	STUD
123	1341637	(DIN 933) M10 X 30MM HEX HD SCR
124	1243360	(DIN 7980) M10.2 LOCK WASHER
125	1348564	SPACER
126	1310158	(DIN 84) M5 X 45MM CHEESE HD SCR
127	1243395	(DIN 934) M5 HEX NUT
128	1348565	LINK
129	1243526	(DIN 125) M8.4 FLAT WASHER
130	1341153	(DIN 933) M8 X 12MM HEX HD SCR
131	1348562	BUSHING
132	1348628	MOTOR PULLEY
133	1348569	RETAINER
134	1243496	(DIN 934) M10 HEX NUT
135	1243413	(DIN 915) M10 X 40MM HEX SOC SET SCR
136	1341153	(DIN 933) M8 X 12MM HEX HD SCR
137	1243526	(DIN 125) M8.4 FLAT WASHER
138	1246114	(DIN 934) M16 HEX NUT
139	1348561	STUD
140	1348560	SUPPORT
141	1243526	(DIN 125) M8.4 FLAT WASHER
142	1341153	(DIN 933) M8 X 12MM HEX HD SCR
143	1246053	(DIN 912) M8 X 25MM HEX SOC HD SCR
144	1245099	BALL BEARING
145	1348567	SPINDLE PULLEY
146	1348568	V-BELT
147	1348570	NUT
148	1243584	(DIN 913) M6 X 12MM HEX SOC SET SCR
149	1348571	SPECIAL WASHER
150	1348572	DRAW BOLT
151	1348573	DRAW NUT
152	1246098	(DIN 912) M5 X 16MM HEX SOC HD SCR
153	1348552	PLATE
154	1348553	SPINDLE
155	1348554	KEY
156	920-04-022-4014	BALL BEARING
157	1348555	SLEEVE
158	1246051	(DIN 912) M5 X 12MM HEX SOC HD SCR
159	1348556	GUIDE

\*\* NOT SHOWN



## REPLACEMENT PARTS

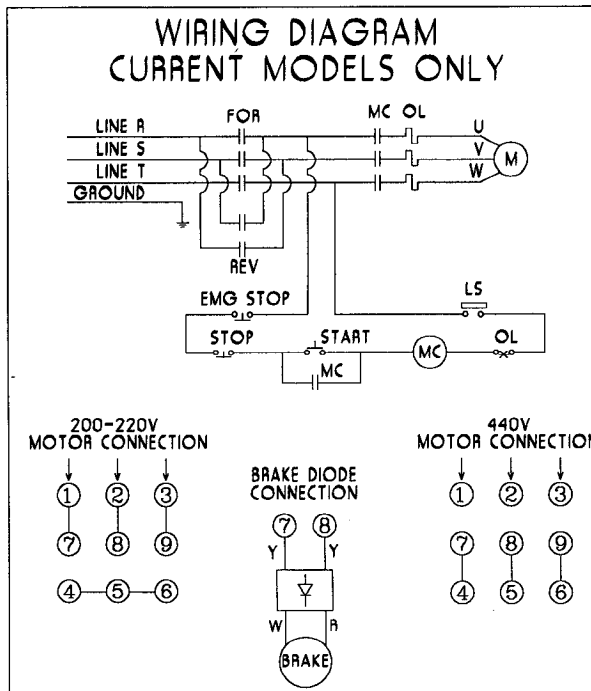
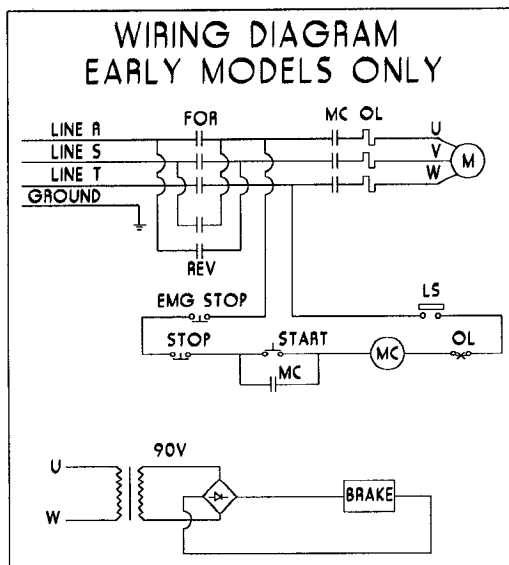
<u>REF. NO.</u>	<u>PART NUMBER</u>	<u>DESCRIPTION</u>
201	1348495	HOLD DOWN
202	1348494	GUIDE
203	1243520	(DIN 7980) M6.1 LOCK WASHER
204	1246056	(DIN 912) M6 X 12MM HEX SOC HD SCR
205	1348493	BAR <i>VERTICAL</i>
206	1348492	BAR <i>HORIZONTAL</i>
207	1310023	(DIN 316) M8 X 17MM THUMB SCR
207A	1348490	CLIP
207B	1349366	BLOCK
208	1348491	BAR <i>VERTICAL</i>
209	1341104	(DIN 84) M6 X 20MM CHEESE HD SCR
210	1243520	(DIN 7980) M6.1 LOCK WASHER
211	1340654	M6.4 FLAT WASHER
212	1348497	SHIELD
213	1348496	BAR <i>HORIZONTAL</i>
214	1348484	WARNING LABEL
215	1243398	(DIN 934) M8 HEX NUT
216	1243659	(DIN 913) M8 X 40MM HEX SOC SET SCR
217	1348498	LATCH
218	1348499	CAM WASHER
219	1246056	(DIN 912) M6 X 12MM HEX SOC HD SCR
220	1343504	(DIN 985) M5 LOCK NUT
221	1343538	(DIN 7980) M5.1 LOCK WASHER
222	1348500	BRACKET
223	1246056	(DIN 912) M6 X 12MM HEX SOC HD SCR
224	1243520	(DIN 7980) M6.1 LOCK WASHER
225	1344933	(DIN 912) M5 X 20MM HEX SOC HD SCR
226	1348502	KNOB W/STUD
227	1345971	M8 FLAT WASHER
228	1348501	PLATE
229	1243520	(DIN 7980) M6.1 LOCK WASHER
230	1343642	(DIN 985) M6 LOCK NUT
231	1348639	DUST COLLECTOR
232	1246102	(DIN 125) M5.3 FLAT WASHER
233	1310162	(DIN 85) M5 X 12MM PAN HD SCR
234	1348504	LOCK KNOB
235	1348506	LOCK HANDLE
236	1348507	WASHER
237	1348509	ADJ SCR
238	1348510	PLATE
239	1246051	(DIN 912) M5 X 12MM HEX SOC HD SCR
240	1346471	(DIN 916) M8 X 15MM HEX SOC SET SCR
241	1348511	ADJ KNOB
243	1348503	FENCE BODY
244	1348505	RAM
245	1348512	LOCK LEVER
246	1341947	M8 FLAT WASHER
247	1348513	SET OF BLOCKS <i>R.H. AND L.H.</i>
248	1348514	GUIDE
249	1243530	(DIN 912) M8 X 30MM HEX SOC HD SCR
250	1348516	FENCE <i>LH</i>
251	1348515	FENCE <i>RH</i>
252	1348517	SET OF CAPS <i>R.H. AND L.H.</i>



# REPLACEMENT PARTS

REF. NO.	PART NUMBER	DESCRIPTION	REF. NO.	PART NUMBER	DESCRIPTION
401	1348518	LEVER	426	1310158	(DIN 84) M5 X 45MM CHEESE HD SCR
402	1348519	BRACKET	427	1246102	(DIN 125) M5.3 FLAT WASHER
403	1348521	ROD HORIZONTAL	428	1348608	COVER
404	1348520	ROLL PIN	429	1246006	(DIN 912) M8 X 50MM HEX SOC HD SCR
405	1330200	(DIN 916) M8 X 12MM HEX SOC SET SCR	430	1348610	RING NUT
406	1348522	PLUNGER	431	1348611	BEARING RACE
407	1348523	SPRING	432	920-04-020-5348	BALL BEARING
408	1348524	PAD	433	1243505	INT RET RING
409	1243549	(DIN 916) M6 X 12MM HEX SOC SET SCR	434	1348612	BUSHING
410	1348482	NAMEPLATE	435	1348613	PIN
411	1348536	ROD	436	1348614	SPRING
412	1348528	KNOB W/STUD	437	1348615	HOUSING
413	1348537	STOP BLOCK	438	1348609	SPACER
414	1246019	(DIN 933) M10 X 35MM HEX HD SCR	439	1348622	TABLE
415	1243360	(DIN 7980) M10.2 LOCK WASHER	440	1348483	LOCK ARROW
416	1348525	BLOCK	441	1348617	WASHER
417	1243360	(DIN 7980) M10.2 LOCK WASHER	442	1348616	NUT
418	1246019	(DIN 933) M10 X 35MM HEX HD SCR	443	1342563	(DIN 916) M5 X 30MM HEX SOC SET SCR
419	1348526	ROD VERTICAL	444	1348618	RING
420	1348528	KNOB W/STUD	445	1243360	(DIN 7980) M10.2 LOCK WASHER
421	1348619	KNOB W/STUD	446	1345955	(DIN 439B) M10 HEX NUT
422	1243502	(DIN 125) M10 FLAT WASHER	**	1348623	ALLEN WRENCH SET
423	1330200	(DIN 916) M8 X 12MM HEX SOC SET SCR	**	1347915	LUBE GUN
424	1348621	BODY	**	1348624	41MM WRENCH
425	1348620	SLIDING TABLE	**	1348625	32MM WRENCH
425A	1349958	SPACER	**	1348626	SPANNER WRENCH
425B	1243526	(DIN 125) M8.4 FLAT WASHER	**	1348627	WRENCH SET
425C	1243530	(DIN 912) M8 X 30MM HEX SOC HD SCR			

\*\* NOT SHOWN

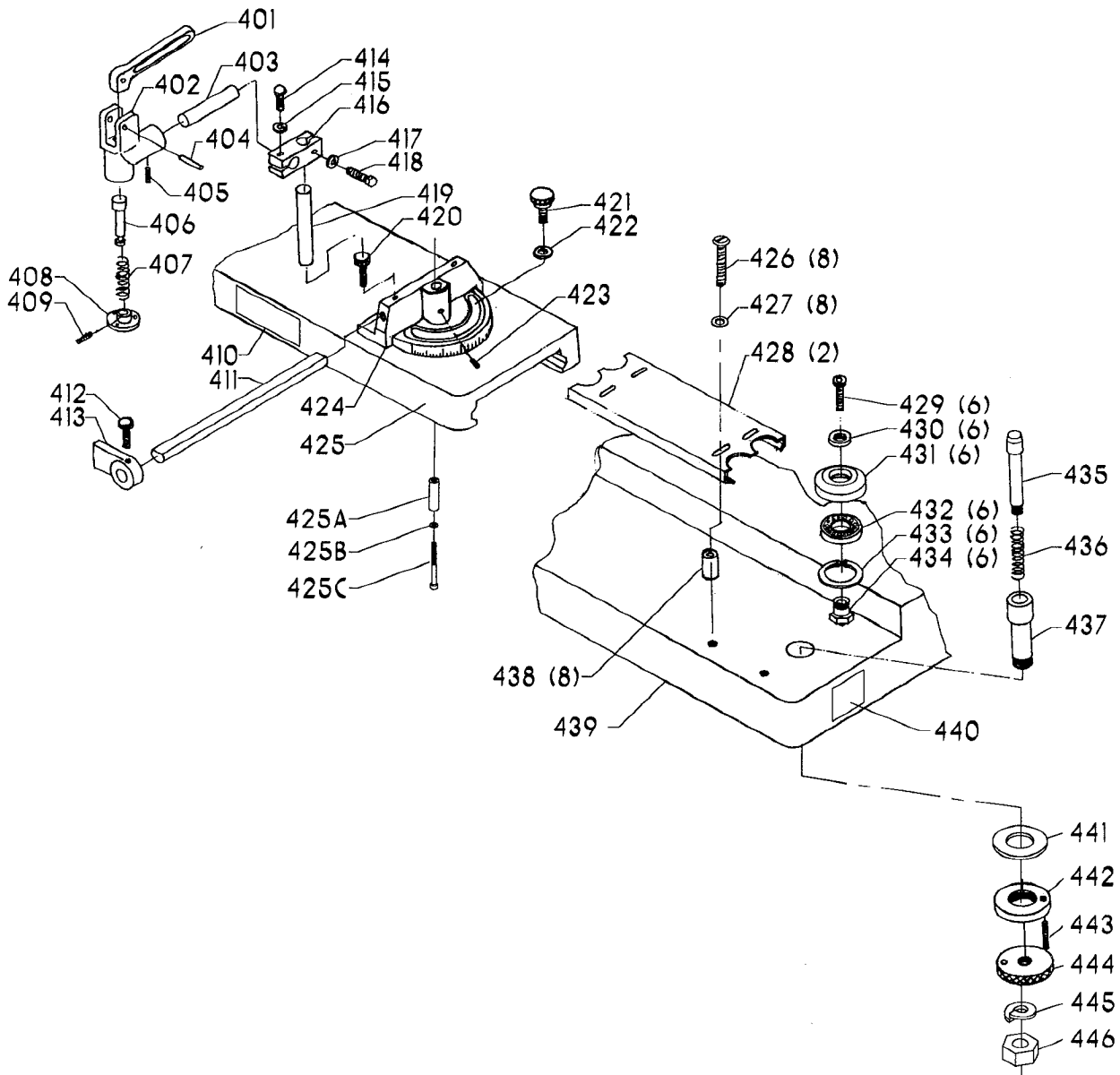


### STANDARD SAFETY EQUIPMENT

In order to promote tool safety, Delta International Machinery Corp. strictly enforces the policy of repairing or replacing any damaged or missing standard safety equipment on machines presented to Delta Authorized Service Centers for service/repair. Any product which is presented to a Delta Authorized Service Center for repairs which contains missing or damaged standard safety equipment will have that equipment repaired or replaced and the customer will be charged for any such service/repairs. Customers can avoid such charges only if the missing safety component is supplied to the service center at the time of repair.

This parts list is provided to aid in obtaining service parts. Copies of the instruction and maintenance literature can be obtained through the Delta Technical Publications Department or through your local service outlet.





## REPLACEMENT PARTS

<u>REF. NO.</u>	<u>PART NUMBER</u>	<u>DESCRIPTION</u>
301	1348518	LEVER
302	1348519	BRACKET
303	1348521	ROD <i>HORIZONTAL</i>
304	1348520	ROLL PIN
305	1330200	(DIN 916) M8 X 12MM HEX SOC SET SCR
306	1348522	PLUNGER
307	1348523	SPRING
308	1348524	PAD
309	1243549	(DIN 916) M6 X 12MM HEX SOC SET SCR
310	1246019	(DIN 933) M10 X 35MM HEX HD SCR
311	1243360	(DIN 7980) M10.2 LOCK WASHER
312	1348525	BLOCK
313	1243360	(DIN 7980) M10.2 LOCK WASHER
314	1246019	(DIN 933) M10 X 35MM HEX HD SCR
315	1348526	ROD <i>VERTICAL</i>
316	1348527	KNOB
317	1243502	(DIN 125) M10 FLAT WASHER
318	1348529	BODY
319	1348528	KNOB W/STUD
320	1348536	ROD
321	1348528	KNOB W/STUD
322	1348537	STOP BLOCK
323	901-02-030-0466	#08-32 X 3/8" FLAT HD SCR
324	1348532	RETAINER
325	1348533	GUIDE BAR
326	1348531	PIVOT STUD
327	1348530	STUD
328	1330200	(DIN 916) M8 X 12MM HEX SOC SET SCR
329	1348538	3/4" SPINDLE, <i>INCL.</i> :
329A	1348541	SPACER SET
329B	1348540	KEYED WASHER
329C	1348539	3/4" SPINDLE NUT
330	1348542	1-1/4" SPINDLE, <i>INCL.</i> :
330A	1348545	SPACER SET
330B	1348544	KEYED WASHER
330C	1348543	1-1/4" SPINDLE NUT
337	1348546	RETAINER NUT
338	1246098	(DIN 912) M5 X 16MM HEX SOC HD SCR
339	1348548	INSERT RING <i>SMALL</i>
340	1348549	INSERT RING <i>MEDIUM</i>
341	1348550	INSERT RING <i>LARGE</i>
342	1246001	(DIN 84) M5 X 12MM CHEESE HD SCR
343	1246102	(DIN 125) M5.3 FLAT WASHER
344	1348547	DUST HOOD
345	1348551	TABLE
346	1348482	NAMEPLATE

### AVAILABLE AS AN ACCESSORY

350	43-795	1" SPINDLE, <i>INCL.</i> :
350A	1348760	SPACER SET
350B	1348761	KEYED WASHER
350C	1348762	1" SPINDLE NUT
*	43-794	1/2" ROUTER ADAPTOR, <i>CONST OF.</i> :
360	1348763	COLLET NUT
361	1348764	1/2" COLLET
362	1348765	COLLET WRENCH

\* NOT SHOWN ASSEMBLED