

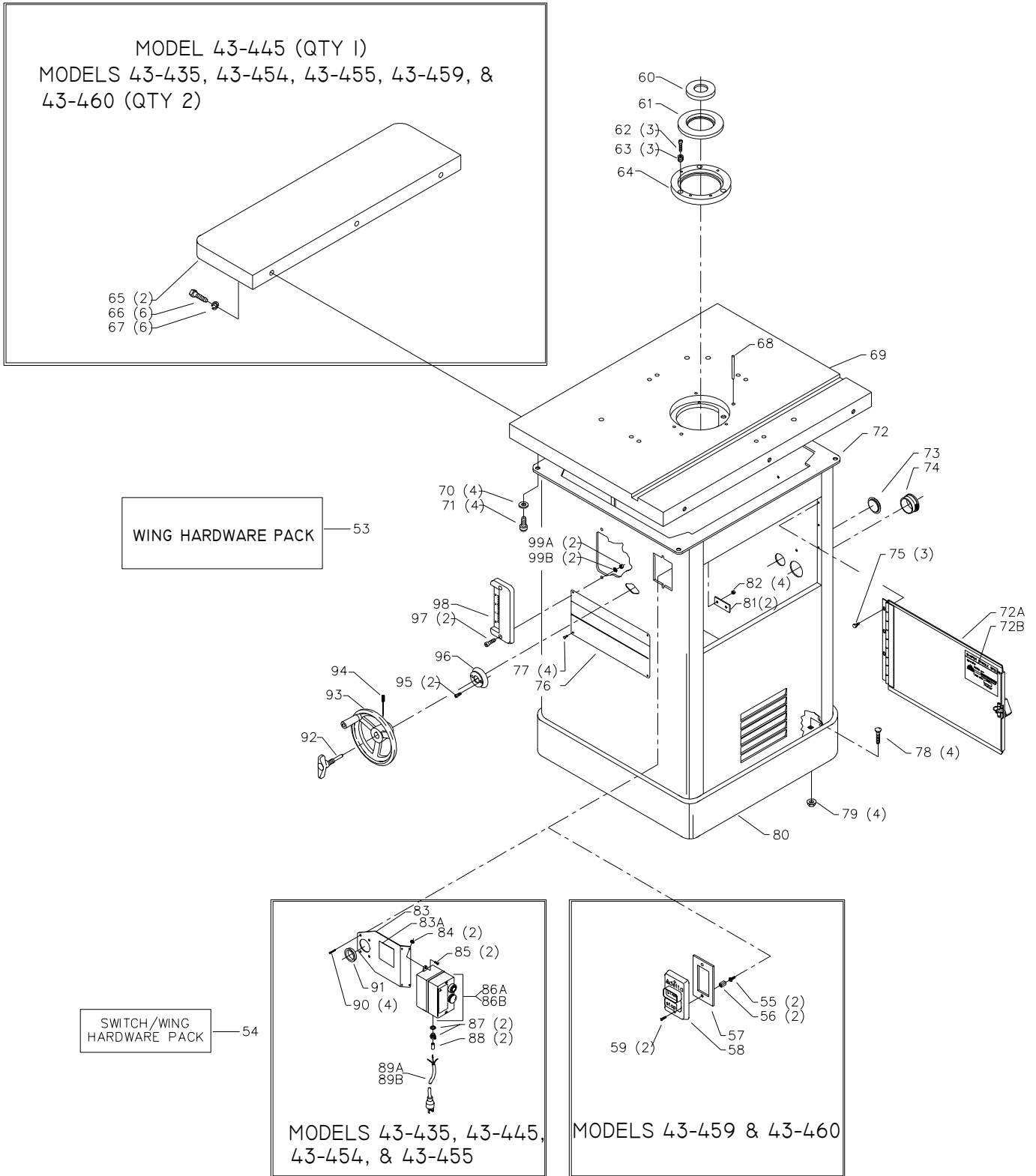


2 - SPEED HEAVY DUTY WOOD SHAPER

MODELS 43-435, 43-445, 43-454, 43-455,
43-459, 43-460

WS-2D-1

PART NO. 432-02-651-0040
DATE 05-12-04



REPLACEMENT PARTS

Ref.

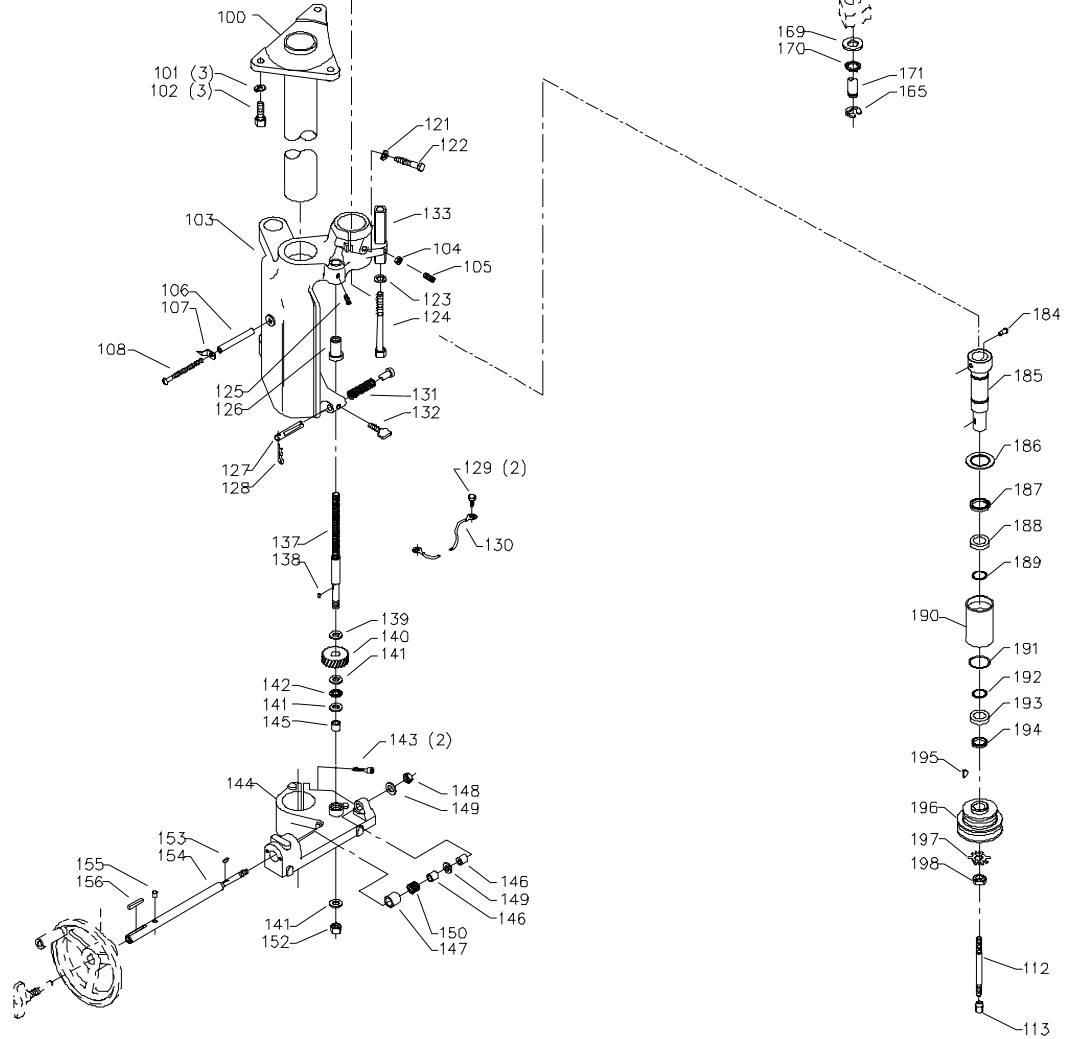
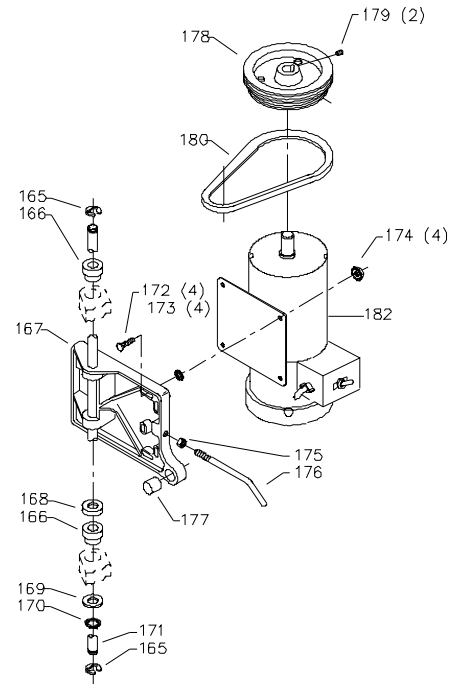
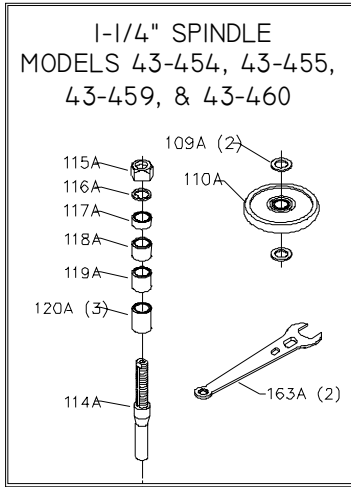
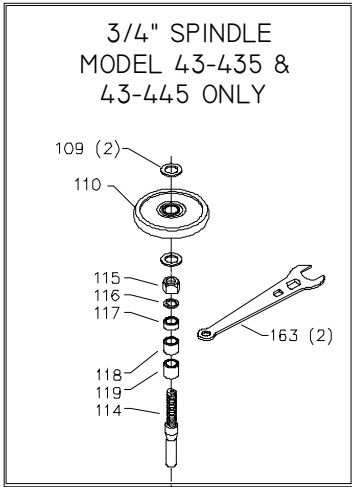
No.	Part No.	Description
53	n 432-02-628-0004	WING HARDWARE PACK
54	432-02-628-0003	SWITCH/WING HARDWARE PACK, 43-435, 43-445, 43-454 & 43-455
55	402-07-111-5002	STUD
56	402-07-104-5007	SPACER
57	422-04-116-0001	GASKET
58	438-01-017-0101	MAGNETIC SWITCH
59	901-02-010-0567	#06-32 X 1/4" ROUND HD SCR
60	432-02-063-0004	TABLE INSERT - SMALL
61	432-02-063-0002	TABLE INSERT - INTERMEDIATE
62	901-02-050-0725	1/4-20 X 1" FILL HD SCR
63	432-02-112-0002	INSERT SCR
64	432-02-063-0003	TABLE INSERT ASSY - OUTER
65	36-937	EXTENSION WING, INCL:
66	901-01-060-0664	7/16-20 X1" HEX HD SCR
67	904-10-031-2097	WASHER
68	905-03-013-1493	2-1/2" TAPER PIN
69	432-02-391-0005	TABLE
70	904-10-031-2097	WASHER
71	901-03-010-1487	7/16-20 X3/4" HEX SOC HD SCR
72	432-02-318-0021	CABINET ASSY. (NOTE C), INCL.:
	432-02-318-0012	CABINET ASSY. (NOTE D), INCL.:
72A	432-02-331-0013	DOOR ASSY (NOTE A), INCL:
	432-02-331-0011	DOOR ASSY (NOTE B), INCL:
72B	432-02-754-0006	SPEED CHART
73	438-01-011-0065	PLUG
74	438-01-011-0020	INSULATOR
75	901-05-213-1498	#10 X 1/2" HEX WASHER HD SCR
76	432-02-137-0011	NAMEPLATE (NOTE C)
	432-02-137-0006	NAMEPLATE (NOTE A)

Ref.

No.	Part No.	Description
	432-02-137-0005	NAMEPLATE (NOTE B)
77	1087794	RIVET
78	901-11-020-0834	5/16-18 X 3/4" CARRIAGE HD SCR
79	902-01-503-1514	5/16-18 FLANGE NUT
80	422-04-305-0001	SUB BASE
81	432-02-072-0002	SWITCH RETAINER PLATE
82	902-01-133-1529	1/4-20 FLANGE NUT
83	432-02-014-0017	STARTER BRACKET (NOTE A)
	432-02-014-0010	STARTER BRACKET (NOTE B)
83A	422-04-752-0185	LABEL (NOTE A)
84	902-01-293-1513	#10-32 KEPS NUT
85	901-02-453-1123	#10-32 X 1/2" PAN HD SCR
86A	438-01-016-0199	STARTER, GPE. 1PH, 200-230V, 3HP, INCL.:
86B	438-01-016-0204	STARTER, GPE. 1PH, 230V, 5HP, INCL.:
87	438-01-004-0007	CORD CLAMP
88	438-01-011-0054	INSULATOR SLEEVE
89A	438-01-302-2013	POWER CORD, 230V, 3HP
89B	438-01-302-2004	POWER CORD, 230V, 5HP
90	901-02-403-1131	1/4-20 X7/8" TRUSS HD SCR
91	438-01-011-0020	INSULATOR
92	422-04-412-0009	LOCK KNOB
93	422-04-400-0005	HANDWHEEL, INCL:
94	901-04-190-0201	5/16-18 X 5/16" HEX SOC SET SCR
95	901-03-010-3318	#10-32 X 3/8" HEX SOC HD SCR
96	432-02-031-5002	COVER
97	901-03-010-3345	1/4-20 X 1" HEX SOC HD SCR
98	432-02-014-0001	BRACKET W/SCALE
99A	902-01-120-1034	1/4-20 HEX NUT
99B	904-03-030-1757	1/4" EXT TOOTH WASHER

SERVICE NOTE:

- A – Serial Numbers Beginning with 01H and Above
- B – Serial Numbers Beginning with 01G and Below
- C – Serial Numbers Beginning with 01J and Above
- D – Serial Numbers Beginning with 01I and Below

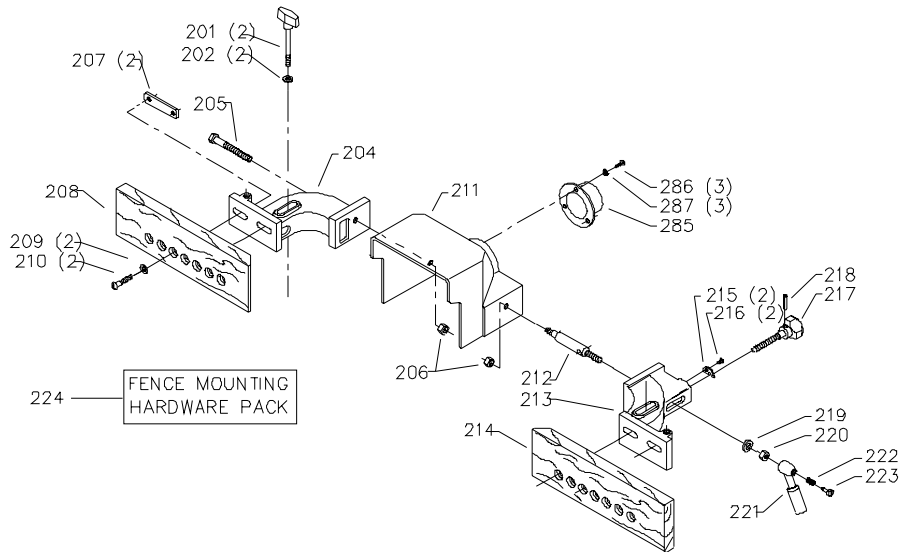


REPLACEMENT PARTS

<u>Ref.</u>	<u>No.</u>	<u>Part No.</u>	<u>Description</u>	<u>Ref.</u>	<u>No.</u>	<u>Part No.</u>	<u>Description</u>
	100	432-02-403-0002	FLANGE ASSY		148	902-01-213-1635	3/8-16 LOCK NUT
	101	904-02-020-1705	1/2" LOCK WASHER		149	920-76-033-1391	SPECIAL WASHER
	102	901-01-060-0672	1/2-20 X 1 1/4" HEX HD SCR		150	432-02-051-0001	SPIRAL GEAR
	103	432-02-012-0007	SPINDLE HOUSING ASSY, INCL.:		152	902-01-281-7295	1/4-20 HEX NUT
	104	902-01-010-1300	5/16-18 HEX NUT		153	927-01-010-2631	KEY
	105	901-04-193-1403	5/16-18 X 1" HEX SOC SET SCREW		154	432-02-106-0002	HORIZONTAL RAISING SCR
	106	432-02-104-5001	SPACER		155	422-04-074-0001	PLUG
	107	422-04-075-5001	POINTER		156	927-03-010-2650	1-3/8" KEY
	108	901-02-013-1813	5/16-18 X 3 1/2" ROUND HD SCR		163	955-01-050-1467	WRENCH, (FOR 3/4" SPINDLE)
	109	432-02-104-0006	SPACER (FOR 3/4" SPINDLES ONLY)		163A	434-10-101-0001	WRENCH, (FOR 1 1/4" SPINDLE)
	109A	432-02-104-0007	SPACER (FOR 1 1/4" SPINDLES ONLY)		165	904-15-060-7443	EXT RET RING
	110	43-440	4-1/2" SPINDLE GUARD (FOR 1/2" & 3/4" SPINDLES ONLY)		166	932-01-010-2860	BUSHING
	110A	43-442	6-1/2" SPINDLE GUARD (FOR 1 1/4" SPINDLES ONLY)		167	432-02-005-0001	MOTOR PLATE
	112	432-02-112-0003	TIE ROD		168	432-02-079-5001	RETAINER
	113	902-01-201-2584	5/16-18 HEX NUT		169	904-01-010-1611	13/16" FLAT WASHER
	114	43-806	3/4" SPINDLE ASSY, INCL: 409A, 411, 410, 413, 412		170	928-07-010-7378	FINGER SPRING WASHER
	115	902-01-131-3082	.76-14 HEX NUT		171	432-02-106-0001	SHAFT
	116	904-05-010-6662	3/4" LOCK WASHER		172	901-11-020-0830	5/16-18 X 1 1/4" CARRIAGE HD SCR
	117	904-10-031-4506	1/2" SPACER		173	904-03-030-1656	5/16" EXT TOOTH WASHER
	118	904-10-031-4507	3/4" SPACER		174	902-01-503-1514	5/16-18 FLANGE NUT
	119	904-10-031-4508	1" SPACER		175	902-01-201-2579	7/16-14 HEX NUT
	114A	43-811	1-1/4" SPINDLE ASSY, INCL., REF. 163A		176	432-02-067-0002	LEVER
	115A	902-01-063-1835	1-1/4" HEX NUT		177	432-02-016-5001	BUMPER
	116A	904-05-013-1834	SPECIAL WASHER		178	432-02-430-0003	MOTOR PULLEY ASSY, INCL.:
	117A	432-02-105-0008	3/8" SPACER		179	901-04-150-0206	5/16-18 X 5/16" HEX SOC SET SCR
	118A	432-02-105-0007	1/2" SPACER		180	432-02-133-0001	POLY V-BELT
	119A	432-02-105-0009	5/8" SPACER		182	n 438-02-314-6207	3HP 1PH 208-230V MOTOR - WEG
	120A	432-02-105-0006	1" SPACER			82-006	3HP 1PH 230V MOTOR, MARATHON
	121	904-02-020-1704	3/8" LOCK WASHER			n 438-02-314-6206	5HP 1PH 230V MOTOR - WEG
	122	901-01-060-0646	3/8-16 X 2" HEX HD SCR (NOTE A)			438-02-314-6180	5HP 1PH 230V MOTOR, MARATHON
	123	904-01-031-2905	FLAT WASHER			86-005	5HP 3PH 200-230/460V MOTOR, MARATHON
	124	901-01-060-0685	1/2-20 X 5" HEX HD SCR		*	432-02-385-0011	SPINDLE ASSY, CONST OF:
	125	901-04-190-0201	5/16-18 X 5/16" HEX SOC SET SCR		184	432-02-071-0003	DRIVE PIN
	126	432-02-105-5002	RAISING NUT		185	432-02-105-0003	FLANGE
	127	432-02-071-0001	PIN		186	432-02-103-0002	FLANGE
	128	905-05-040-2106	1/8" X 1 1/4" COTTER PIN		187	432-02-079-0002	NUT
	129	901-03-010-3318	#10-32 X 3/8" HEX SOC HD SCR		188	920-04-033-1821	BALL BEARING
	130	438-01-320-0258	JUMPER WIRE		189	904-15-013-1819	EXT RET RING
	131	432-02-122-0001	SPRING		190	432-02-077-0001	QUILL (NOTE A)
	132	901-04-260-1528	5/16-18 X 1" THUMB SCR		191	904-04-013-1820	WAVE WASHER
	133	432-02-110-5001	HEX GUIDE POST		192	904-15-013-1819	EXT RET RING
	*	432-02-314-0010	ELEVATING B/GEAR ASSY, CONST OF:		193	920-04-033-1821	BALL BEARING
	137	432-02-112-0001	VERTICAL RAISING SCR		194	432-02-104-0012	SPACER
	138	927-01-010-2633	WOODRUFF KEY		195	927-01-100-2606	KEY
	139	904-01-031-2905	FLAT WASHER		196	432-02-130-0006	SPINDLE PULLEY
	140	432-02-051-0002	SPIRAL GEAR		197	432-02-079-0001	RETAINER
	141	920-76-033-1392	THRUST BEARING		198	902-07-030-7171	.802-28 BEARING NUT
	142	920-45-013-1412	THRUST BEARING		*		NOT SHOWN ASSEMBLED
	143	901-03-010-0760	1/4-20 X 1 1/4" HEX SOC HD SCR				
	144	432-02-314-0009	BRACKET ASSY, INCL.:				
	145	920-75-013-1524	BEARING				
	146	920-75-013-1523	BEARING				
	147	920-75-011-2784	SLEEVE BEARING				

NOTE A: When replacing the QUILL (Ref. No. 190), the 3/8 – 16 X 2" HEX HD SCR (Ref no. 122) should be tightened 7 to 10 foot pounds.

43-830 SHAPER FENCE
MODEL 43-445 ONLY



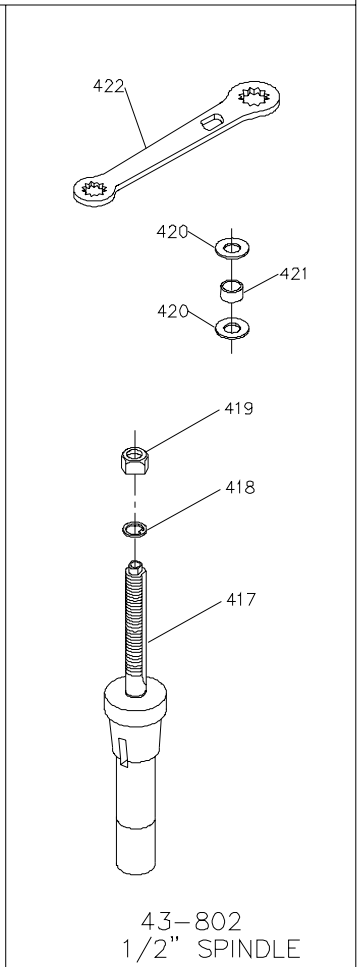
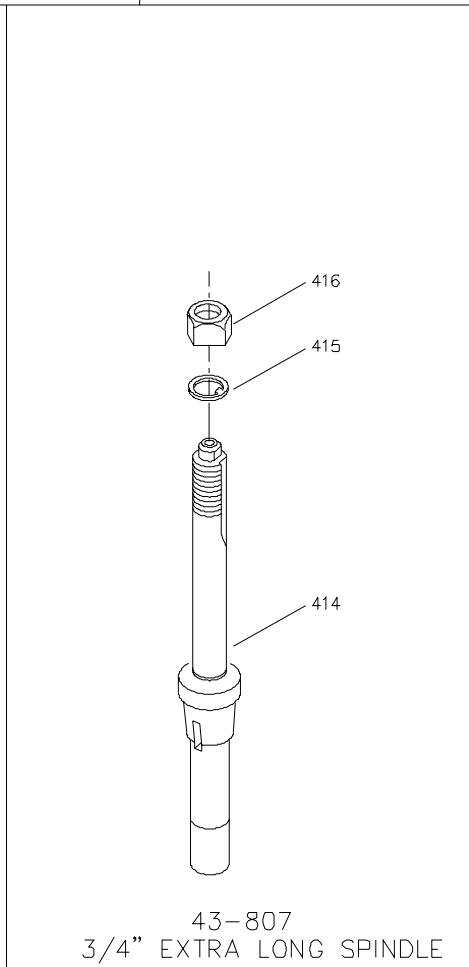
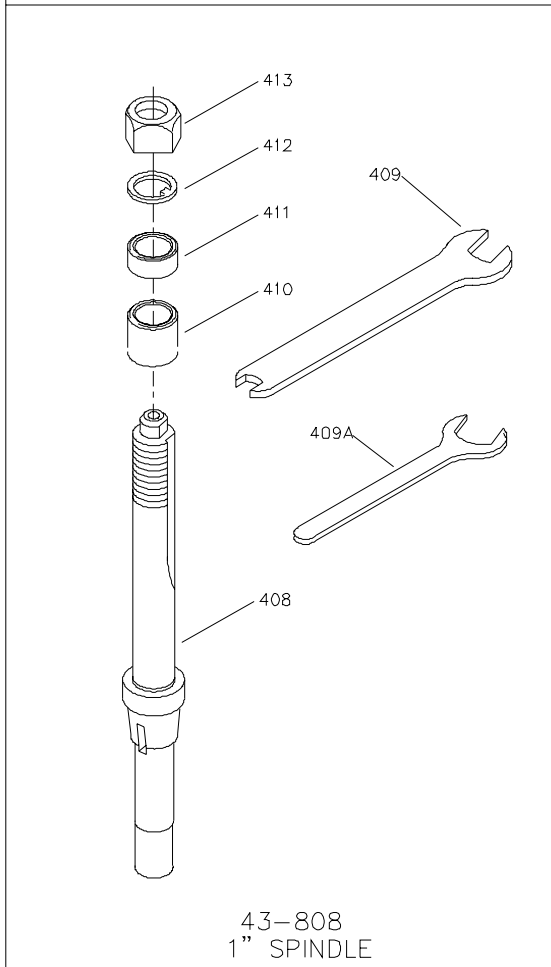
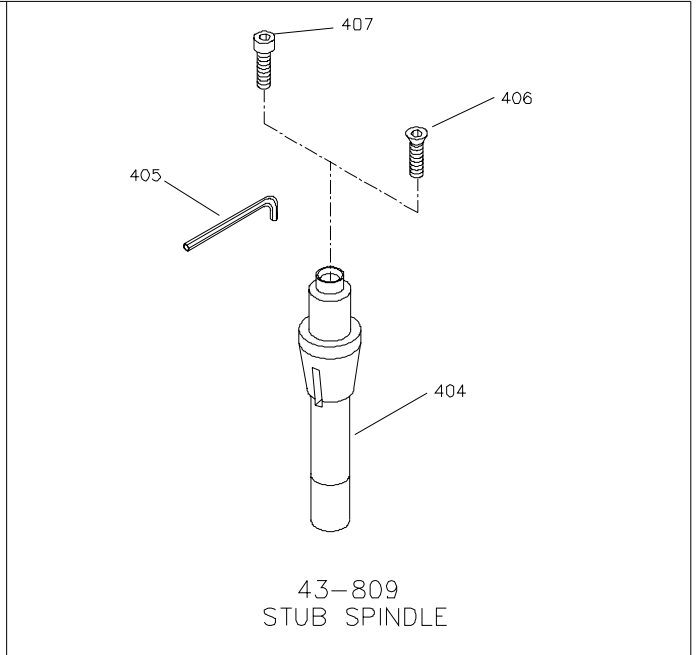
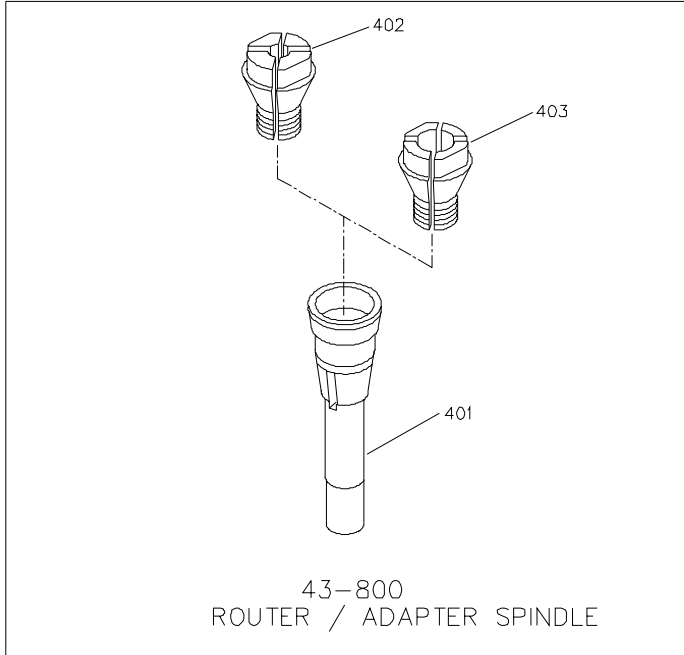
Ref.

No.	Part No.	Description
201	432-01-138-0002	FENCE CLAMP KNOB
202	904-01-031-2937	FLAT WASHER
204	432-01-089-0013	FENCE BODY, LH
205	901-01-060-0633	7/16-14 X 3 1/4" HEX HD SCR
206	902-01-201-2579	7/16-14 HEX NUT
207	432-01-004-0003	CLAMP PLATE
208	432-02-043-0004	FENCE, LH
209	904-01-010-1620	FLAT WASHER
210	901-02-010-0523	5/16-18 X 1 1/2" ROUND HD SCR
211	432-02-031-0001	COVER
212	432-02-111-0002	STUD
213	432-01-089-0012	FENCE BODY, RH
214	432-02-043-0003	FENCE, RH
215	432-01-047-0001	HALF COLLAR FLINGER
216	901-03-010-3318	#10-32 X 3/8" HEX SOC HD SCR
217	1087647	KNOB ASSY, INCL:
218	905-01-010-2706	3/16" X 1" SPRING PIN
219	904-10-031-2097	WASHER
220	902-01-201-2579	7/16-14 HEX NUT
221	406-03-033-0002	RATCHET HANDLE
222	406-03-122-0002	SPRING
223	406-03-112-0006	SPECIAL SCR
224	432-02-629-5007	FENCE MTG. HARDWARE PACK

ACCESSORIES: (OPTIONAL)

285	410-01-001-0014	VACUUM ADAPTER
286	901-02-010-0582	#10-32 X 5/8" ROUND HD SCR
287	904-01-010-1610	FLAT WASHER

SPINDLE
HARDWARE PACK — 423



REPLACEMENT PARTS

Ref.	<u>No.</u>	<u>Part No.</u>	<u>Description</u>
	401	43-800	ROUTER ADAPTER SPINDLE, INCL:
	402	58939	1/4" COLLET (ORDER F/ PORTER CABLE)
	403	18051	1/2" COLLET (ORDER F/ PORTER CABLE)
	404	43-809	STUB SPINDLE, INCL:
	405	955-03-010-0010	7/32" HEX WRENCH
	406	901-03-100-6144	5/16-18 X 1 1/8" FLAT HD SCR
	407	901-03-100-6139	5/16-18 X .86 HEX SOC HD SCR
	408	43-808	1" SPINDLE, INCL:
	409	955-01-040-1485	WRENCH
	409A	404-01-101-5001	WRENCH
	410	432-02-105-0001	1" COLLAR
	411	432-02-105-0002	1/2" COLLAR
	412	904-05-010-6674	SPECIAL KEYED WASHER
	413	902-01-201-8553	1.00-14 HEX NUT
	414	43-807	3/4" EXTRA LONG SPINDLE, INCL:
	415	904-05-010-6662	3/4" LOCK WASHER
	416	902-01-131-3082	.76-14 HEX NUT
	417	43-802	1/2" SPINDLE, INCL:
	418	904-05-010-1646	3/4" WASHER
	419	902-01-201-2575	.50-16 HEX NUT
	420	432-02-104-0008	SPACER
	421	432-02-017-0004	BUSHING
	422	955-01-020-0023	.567" X .88" BOX END WRENCH
	423	432-02-629-0011	SPINDLE HDWE. PACK, 43-435 & 43-445
		432-02-629-0014	SPINDLE HDWE. PACK, 43-455 & 43-460

STANDARD SAFETY EQUIPMENT

In order to promote tool safety, Delta Machinery strictly enforces the policy of repairing or replacing any damaged or missing standard safety equipment on machines presented to Delta Authorized Service Centers for service/repairs. Any product that is presented to a Delta Authorized Service Centers for repairs which contains missing or damaged standard safety equipment will have that equipment repaired or replaced and the customer will be charged for any such service/repairs. Customers can avoid such charges only if the missing safety component is supplied to the service center at the time of repair.

This parts list is provided to aid in obtaining service parts. Copies of the instruction and maintenance literature can be obtained through the Delta Technical Publications Department or through your service outlet.