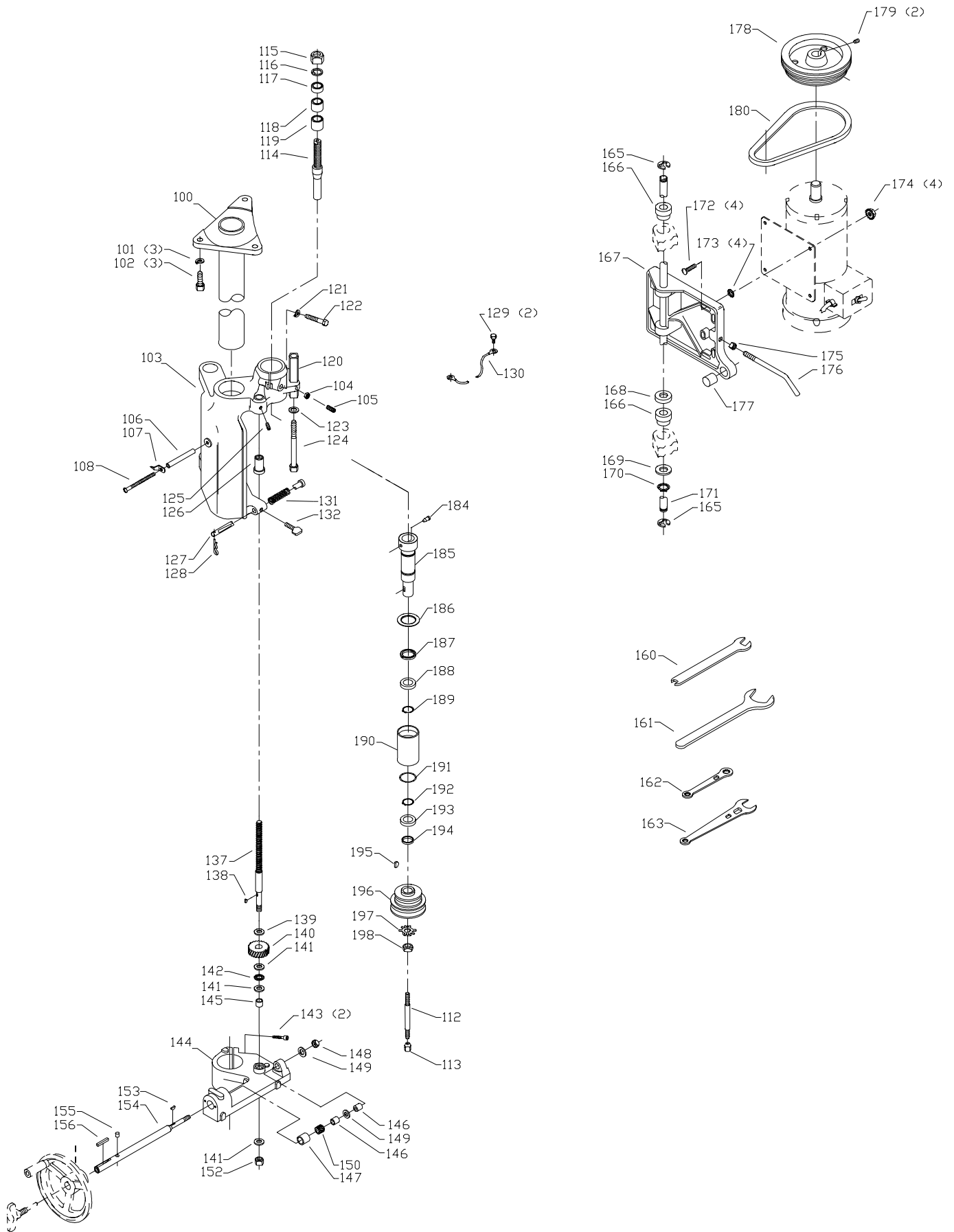


REPLACEMENT PARTS

| <u>Ref.</u> | <u>No.</u> | <u>Part No.</u> | <u>Description</u> | <u>Ref.</u> | <u>No.</u> | <u>Part No.</u> | <u>Description</u> |
|-------------|------------|-----------------|---------------------------------------|-------------|------------|-----------------|--|
| * | | 43-801 | DELUXE SHAPER FENCE, CONST OF: | * | | 43-555 | ADAPTER, CONST OF: (FOR 1/2" SPINDLES) |
| 1 | | 1348490 | CLIP | 56 | | 432-02-104-0008 | SPACER |
| 2 | | 1310023 | (DIN 316) M8 X 17MM THUMB SCREW | 57 | | 432-02-017-0004 | BUSHING |
| 3 | | 1349366 | BLOCK | 58 | | 432-02-104-0006 | SPACER (FOR 3/4" SPINDLES ONLY) |
| 4 | | 1348493 | VERTICAL BAR | 59 | | 43-440 | 4-1/2" SPINDLE GUARD (1/2" & 3/4" |
| 5 | | 1348494 | GUIDE | 60 | | 432-02-063-0004 | TABLE INSERT - SMALL |
| 6 | | 1348499 | CAM WASHER | 61 | | 432-02-063-0002 | TABLE INSERT - INTERMEDIATE |
| 7 | | 1246056 | (DIN 912) M6 X 12MM HEX SOC HD SCREW | 62 | | 901-02-050-0725 | 1/4-20 X 1" FILL HD SCREW |
| 8 | | 1348492 | HORIZONTAL BAR | 63 | | 432-02-112-0002 | INSERT SCREW |
| 9 | | 1342758 | VERTICAL BAR | 64 | | 432-02-063-0003 | TABLE INSERT ASSY - OUTER |
| 10 | | 1348495 | HOLD DOWN | 65 | | 36-933 | EXTENSION WING, INCL: |
| 11 | | 1342768 | HORIZONTAL BAR | 66 | | 901-01-060-0664 | 7/16-20 X 1" HEX HD SCREW |
| 12 | | 1348497 | SHIELD | 67 | | 904-10-031-2097 | WASHER |
| 13 | | 1348484 | WARNING LABEL | 68 | | 905-03-013-1493 | 2-1/2" TAPER PIN |
| 14 | | 1341104 | (DIN 84) M6 X 20MM CHEESE HD SCREW | 69 | | 432-02-391-0005 | TABLE |
| 15 | | 1348499 | CAM WASHER | 70 | | 904-10-031-2097 | WASHER |
| 16 | | 1340654 | (DIN 9021) M6.4 FLAT WASHER | 71 | | 901-03-010-1487 | 7/16-20 X 3/4" HEX SOC HD SCREW |
| 17 | | 1348491 | VERTICAL BAR | 72 | | 432-02-318-0008 | CABINET ASSY, INCL: |
| 18 | | 1343504 | (DIN 985) M5 LOCK NUT | 72A | | 432-02-137-0004 | NAMEPLATE (PLATINUM EDITION) |
| 19 | | 1343538 | (DIN 7980) M5.1 LOCK WASHER | 72B | | 1087794 | RIVET |
| 20 | | 1348498 | LATCH | 73 | | 438-01-011-0065 | PLUG |
| 21 | | 1246050 | (DIN 912) M5 X 25MM HEX SOC HD SCREW | 74 | | 438-01-011-0020 | INSULATOR |
| 22 | | 1346203 | (DIN 912) M5 X 10MM HEX SOC HD SCREW | 75 | | 901-05-213-1498 | #10 X 1/2" HEX WASHER HD SCREW |
| 23 | | 1348499 | CAM WASHER | 76 | | 432-02-331-0009 | DOOR ASSY, INCL: |
| 24 | | 1343504 | (DIN 985) M5 LOCK NUT | 77 | | 432-02-754-0004 | SPEED CHART |
| 25 | | 1343538 | (DIN 7980) M5.1 LOCK WASHER | 78 | | 901-11-020-0834 | 5/16-18 X 3/4" CARRIAGE HD SCREW |
| 26 | | 1348500 | BRACKET | 79 | | 902-01-503-1514 | 5/16-18 FLANGE NUT |
| 27 | | 1246050 | (DIN 912) M5 X 25MM HEX SOC HD SCREW | 80 | | 422-04-305-0001 | SUB BASE |
| 28 | | 1243398 | (DIN 934) M8 HEX NUT | 81 | | 432-02-072-0002 | SWITCH RETAINER PLATE |
| 29 | | 1243659 | (DIN 913) M8 X 40MM HEX SOC SET SCREW | 82 | | 902-01-133-1529 | 1/4-20 FLANGE NUT |
| 30 | | 1243336 | (DIN 912) M6 X 20MM HEX SOC HD SCREW | 83 | | 432-02-014-0007 | STARTER BRACKET |
| 31 | | 1243520 | (DIN 7980) M6.1 LOCK WASHER | 84 | | 902-01-293-1513 | #10-32 KEPS NUT |
| 32 | | 1348502 | KNOB W/STUD | 85 | | 901-02-453-1123 | #10-32 X 1/2" PAN HD SCREW |
| 33 | | 1345971 | M8 FLAT WASHER | 86 | | 438-01-016-0199 | STARTER,GPE,1PH 230V, CONST. OF |
| 34 | | 1342772 | PLATE | 86A | | 438-01-016-0200 | COVER |
| 35 | | 1342777 | FENCE BODY | 87 | | 438-01-004-0007 | CORD CLAMP |
| 36 | | 1340654 | (DIN 9021) M6.4 FLAT WASHER | 88 | | 438-01-011-0054 | INSULATOR SLEEVE |
| 37 | | 1343642 | (DIN 985) M6 LOCK NUT | 89 | | 438-01-302-2013 | POWER CORD, 230V |
| 38 | | 1342770 | LOCK LEVER | 90 | | 901-02-403-1131 | 1/4-20 X 7/8" TRUSS HD SCREW |
| 39 | | 1246158 | (DIN 916) M5 X 16MM HEX SOC SET SCREW | 91 | | 438-01-011-0020 | INSULATOR |
| 40 | | 1348511 | ADJUSTMENT KNOB | 92 | | 422-04-412-0009 | LOCK KNOB |
| 41 | | 1246051 | (DIN 912) M5 X 12MM HEX SOC HD SCREW | 93 | | 422-04-400-0005 | HANDWHEEL, INCL: |
| 42 | | 1342774 | PLATE | 94 | | 901-04-190-0201 | 5/16-18 X 5/16" HEX SOC SET SCREW |
| 43 | | 1342775 | ADJUSTMENT SCREW | 95 | | 901-03-010-3318 | #10-32 X 3/8" HEX SOC HD SCREW |
| 44 | | 1342776 | LOCK HANDLE | 96 | | 432-02-031-5002 | COVER |
| 45 | | 1243502 | (DIN 125) M10 FLAT WASHER | 97 | | 901-03-010-3345 | 1/4-20 X 1" HEX SOC HD SCREW |
| 46 | | 1342779 | RAM | 98 | | 432-02-014-0001 | BRACKET W/SCALE |
| 47 | | 1246053 | (DIN 912) M8 X 25MM HEX SOC HD SCREW | 99A | | 902-01-120-1034 | 1/4-20 HEX NUT |
| 48 | | 1348512 | LOCK LEVER | 99B | | 904-03-030-1757 | 1/4" EXT TOOTH WASHER |
| 49 | | 1341947 | M8 FLAT WASHER | 99C | | 432-02-629-0011 | HARDWARE PACK |
| 50 | | 1342781 | SET OF BLOCKS R.H. AND L.H. | | | | |
| 51 | | 1348517 | SET OF CAPS R.H. AND L.H. | * | | | NOT SHOWN ASSEMBLED |
| 52 | n | 1348516 | FENCE R.H. | | | | |
| 53 | | 1342787 | GUIDE | | | | |
| 54 | n | 1348515 | FENCE L.H. | | | | |

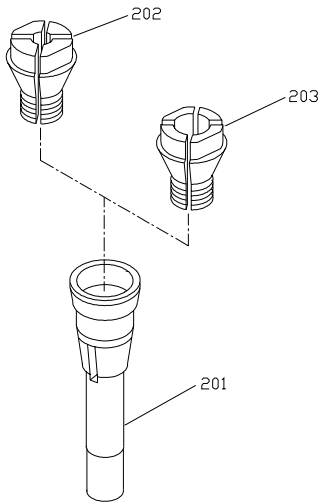


REPLACEMENT PARTS

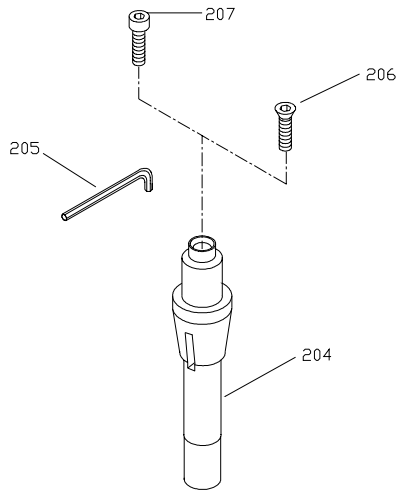
| Ref. No. | Part No. | Description | Ref. No. | Part No. | Description |
|----------|-----------------|---------------------------------------|----------|-----------------|------------------------------------|
| 100 | 432-02-403-0002 | FLANGE ASSY | 154 | 432-02-106-0002 | HORIZONTAL RAISING SCREW |
| 101 | 904-02-020-1705 | 1/2" LOCK WASHER | 155 | 422-04-074-0001 | PLUG |
| 102 | 901-01-060-0672 | 1/2-20 X 1 1/4" HEX HD SCREW | 156 | 927-03-010-2650 | 1-3/8" KEY |
| 103 | 432-02-012-0007 | SPINDLE HSG ASSY, INCLS REF 104 & 105 | 160 | 955-01-040-1485 | WRENCH |
| 104 | 902-01-010-1300 | 5/16-18 HEX NUT | 161 | 404-01-101-5001 | WRENCH |
| 105 | 901-04-193-1403 | 5/16-18 X 1" HEX SOC SET SCREW | 162 | 955-01-020-0023 | .567" X .88" BOX END WRENCH |
| 106 | 432-02-104-5001 | SPACER | 163 | 955-01-050-1467 | WRENCH |
| 107 | 422-04-075-5001 | POINTER | 165 | 904-15-060-7443 | EXT RET RING |
| 108 | 901-02-013-1813 | 5/16-18 X 3 1/2" ROUND HD SCREW | 166 | 932-01-010-2860 | BUSHING |
| 112 | 432-02-112-0003 | TIE ROD | 167 | 432-02-005-0001 | MOTOR PLATE |
| 113 | 902-01-201-2584 | 5/16-18 HEX NUT | 168 | 432-02-079-5001 | RETAINER |
| 114 | 43-806 | 3/4" SPINDLE ASSY, INCL: | 169 | 904-01-010-1611 | 13/16" FLAT WASHER |
| 115 | 902-01-131-3082 | .76-14 HEX NUT | 170 | 928-07-010-7378 | FINGER SPRING WASHER |
| 116 | 904-05-010-6662 | 3/4" LOCK WASHER | 171 | 432-02-106-0001 | SHAFT |
| 117 | 904-10-031-4506 | 1-1/4 X 1/2" COLLAR | 172 | 901-11-020-0830 | 5/16-18 X 1 1/4" CARRIAGE HD SCREW |
| 118 | 904-10-031-4507 | 1-1/4 X 3/4" COLLAR | 173 | 904-03-030-1656 | 5/16" EXT TOOTH WASHER |
| 119 | 904-10-031-4508 | 1-1/4 X 1" COLLAR | 174 | 902-01-503-1514 | 5/16-18 FLANGE NUT |
| 120 | 432-02-110-5001 | HEX GUIDE POST | 175 | 902-01-201-2579 | 7/16-14 HEX NUT |
| 121 | 904-02-020-1704 | 3/8" LOCK WASHER | 176 | 432-02-067-0002 | LEVER |
| 122 | 901-01-060-0646 | 3/8-16 X 2" HEX HD SCREW (NOTE A) | 177 | 432-02-016-5001 | BUMPER |
| 123 | 904-01-031-2905 | FLAT WASHER | 178 | 432-02-430-0003 | MOTOR PULLEY ASSY, INCL: |
| 124 | 901-01-060-0685 | 1/2-20 X 5" HEX HD SCREW | 179 | 901-04-150-0206 | 5/16-18 X 5/16" HEX SOC SET SCREW |
| 125 | 901-04-190-0201 | 5/16-18 X 5/16" HEX SOC SET SCREW | 180 | 432-02-133-0001 | POLY V-BELT |
| 126 | 432-02-105-5002 | RAISING NUT | * | 432-02-385-0011 | SPINDLE ASSY, CONST OF: |
| 127 | 432-02-071-0001 | PIN | 184 | 432-02-071-0003 | DRIVE PIN |
| 128 | 905-05-040-2106 | 1/8" X 1 1/4" COTTER PIN | 185 | 432-02-105-0003 | FLANGE |
| 129 | 901-03-010-3318 | #10-32 X 3/8" HEX SOC HD SCREW | 186 | 432-02-103-0002 | FLANGE |
| 130 | 438-01-320-0258 | JUMPER WIRE | 187 | 432-02-079-0002 | NUT |
| 131 | 432-02-122-0001 | SPRING | 188 | 920-04-033-1821 | BALL BEARING |
| 132 | 901-04-260-1528 | 5/16-18 X 1" THUMB SCREW | 189 | 904-15-013-1819 | EXT RET RING |
| * | 432-02-314-0010 | ELEVATING BRACKET/GEAR ASSY,A,CONST: | 190 | 432-02-077-0001 | QUILL (NOTE A) |
| 137 | 432-02-112-0001 | VERTICAL RAISING SCREW | 191 | 904-04-013-1820 | WAVE WASHER |
| 138 | 927-01-010-2633 | WOODRUFF KEY | 192 | 904-15-013-1819 | EXT RET RING |
| 139 | 904-01-031-2905 | FLAT WASHER | 193 | 920-04-033-1821 | BALL BEARING |
| 140 | 432-02-051-0002 | SPIRAL GEAR | 194 | 432-02-104-0012 | SPACER |
| 141 | 920-76-033-1392 | THRUST BEARING | 195 | 927-01-100-2606 | KEY |
| 142 | 920-45-013-1412 | THRUST BEARING | 196 | 432-02-130-0006 | SPINDLE PULLEY |
| 143 | 901-03-010-0760 | 1/4-20 X 1 1/4" HEX SOC HD SCREW | 197 | 432-02-079-0001 | RETAINER |
| 144 | 432-02-314-0009 | BRACKET ASSY,, INCL: | 198 | 902-07-030-7171 | .802-28 BEARING NUT |
| 145 | 920-75-013-1524 | BEARING | * | | NOT SHOWN ASSEMBLED |
| 146 | 920-75-013-1523 | BEARING | | | |
| 147 | 920-75-011-2784 | SLEEVE BEARING | | | |
| 148 | 902-01-213-1635 | 3/8-16 LOCK NUT | | | |
| 149 | 920-76-033-1391 | SPECIAL WASHER | | | |
| 150 | 432-02-051-0001 | SPIRAL GEAR | | | |

SERVICE NOTES:

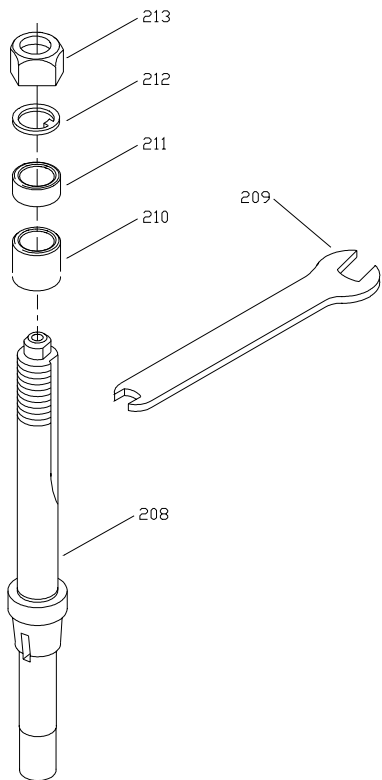
B- When replacing the QUILL (ref no 190), the 3/8-16 X 2" HEX HD SCR (Ref No 122) should be tightened 7 to 10 foot pounds.



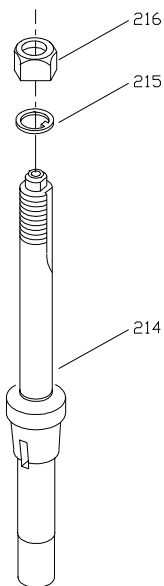
43-800
ROUTER / ADAPTER SPINDLE



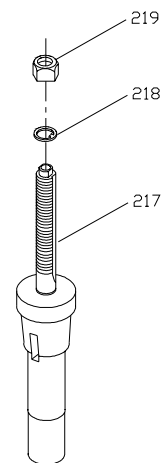
43-809
STUB SPINDLE



43-808
1" SPINDLE



43-807
3/4" EXTRA LONG SPINDLE



43-802
1/2" SPINDLE

REPLACEMENT PARTS

| <u>Ref.</u> | <u>No.</u> | <u>Part No.</u> | <u>Description</u> |
|-------------|------------|--------------------------------|--|
| | | ACCESSORIES: (Optional) | |
| | 201 | 43-800 | ROUTER ADAPTER SPINDLE, INCL: |
| | 202 | 58939 | 1/4" COLLET (ORDER FROM PORTER CABLE) |
| | 203 | 18051 | 1/2" COLLET (ORDER FROM PORTER CABLE) |
| | 204 | 43-809 | STUB SPINDLE |
| | 205 | 955-03-010-0010 | 7/32" HEX WRENCH |
| | 206 | 901-03-100-6144 | 5/16-18 X 1 1/8" FLAT HD SCREW |
| | 207 | 901-03-100-6139 | 5/16-18 X .86 HEX SOC HD SCREW |
| | 208 | 43-808 | 1" SPINDLE, INCL: |
| | 209 | 955-01-040-1485 | WRENCH |
| | * | 43-832 | SPACER COLLAR SET,(1"SPINDLES), CONST OF |
| | 210 | 432-02-105-0001 | 1" COLLAR |
| | 211 | 432-02-105-0002 | 1/2" COLLAR |
| | 212 | 904-05-010-6674 | SPECIAL KEYED WASHER |
| | 213 | 902-01-201-8553 | 1.00-14 HEX NUT |
| | 214 | 43-807 | 3/4" EXTRA LONG SPINDLE, INCL: |
| | 215 | 904-05-010-6662 | 3/4" LOCK WASHER |
| | 216 | 902-01-131-3082 | .76-14 HEX NUT |
| | 217 | 43-802 | 1/2" SPINDLE, INCL: |
| | 218 | 904-05-010-1646 | 3/4" WASHER |
| | 219 | 902-01-201-2575 | .50-16 HEX NUT |
| | * | NOT SHOWN ASSEMBLED | |

STANDARD SAFETY EQUIPMENT

In order to promote tool safety, Delta Machinery strictly enforces the policy of repairing or replacing any damaged or missing standard safety equipment on machines presented to Delta Authorized Service Centers for service/repairs. Any product which is presented to a Delta Authorized Service Centers for repairs which contains missing or damaged standard safety equipment will have that equipment repaired or replaced and the customer will be charged for any such service/repairs. Customers can avoid such charges only if the missing safety component is supplied to the service center at the time of repair.

This parts list is provided to aid in obtaining service parts. Copies of the instruction and maintenance literature can be obtained through the Delta Technical Publications Department or through your service outlet.