



# REPLACEMENT PARTS

Ref.	No.	Part No.	Description	Ref.	No.	Part No.	Description
*		1086935	BLADE GUARD, CONST OF: (SEE NOTE C)	49		422-19-318-0011	CABINET ASSY, INCL: (SEE NOTE C)
*		34-412	BLADE GUARD ASSY, CONST OF: (SEE NOTE D)			422-19-318-0007	CABINET ASSY, INCL: (SEE NOTE D)
1		1086334	"SEE THRU" GUARD	50		422-19-754-0005	WARNING LABEL (SEE NOTE C)
2		1086388	PUSH NUT CAP			422-19-754-0001	WARNING LABEL (SEE NOTE D)
3		1087811	PIN	51		1087794	RIVET
4		1086388	PUSH NUT CAP	52		422-19-132-0013	NAMEPLATE (SEE NOTE C)
5		1086353	SPRING			422-19-132-0006	NAMEPLATE (SEE NOTE D)
6		422-16-047-0001	KICK BACK FINGER	53		902-01-503-1514	5/16-18 FLANGE NUT
7		422-04-071-0007	PIN	54		422-19-089-0007	BRACKET
8		1086337	PIVOT BRACKET	55		901-02-050-0704	5/16-18 X 5/8" FILL HD SCREW
9		1086387	PUSH NUT	60		1231355	5/16-18 X 1/2" HEX WASHER HD SCREW
10		422-04-086-0002	SPLITTER W/BUSHING	61		901-01-060-0606	5/16-18 X 5/8" HEX HD SCREW
11		905-01-010-6729	5/32" X 11/16" SPRING PIN	62		904-01-010-1620	FLAT WASHER
12		901-11-023-1476	5/16-18 X 5/8" CARRIAGE HD SCREW	63		904-02-010-1703	5/16" LOCK WASHER
13		422-19-089-0003	BRACKET	64		902-01-010-1300	5/16-18 HEX NUT
14		904-01-010-1620	FLAT WASHER	65		436-06-123-0005	LEG PANEL - REAR (SEE NOTE C)
15		902-01-010-1300	5/16-18 HEX NUT			436-06-123-0002	LEG PANEL - REAR (SEE NOTE D)
16		901-01-060-0626	1/4-20 X 3/4" HEX HD SCREW	66		436-06-026-0004	DUST CHUTE (SEE NOTE C)
17		904-01-010-1614	FLAT WASHER			436-06-026-0002	DUST CHUTE (SEE NOTE D)
18		901-01-060-0649	5/16-18 X 1" HEX HD SCREW	67		436-06-423-0004	LEG PANEL - FR., INCL: (SEE NOTE C)
19		422-03-072-0001	PLATE			436-06-423-0002	LEG PANEL - FR., INCL: (SEE NOTE D)
20		422-04-014-0037	SPLITTER BRACKET	68		1087794	RIVET
21		901-03-010-0230	1/4-20 X 2" HEX SOC HD SCREW	69		422-19-754-0006	NAMEPLATE (SEE NOTE C)
22		901-03-010-0755	1/4-20 X 3/4" HEX SOC HD SCREW			422-19-132-0009	NAMEPLATE (SEE NOTE D)
23		904-01-010-1614	FLAT WASHER	70		438-01-004-0097	BUSHING
25		36-937	EXT. WING, INCL: (SEE NOTE C)	71		901-05-213-1498	#10 X 1/2" HEX WASHER HD SCREW
		34-862	EXT. WING, INCL: (SEE NOTE D)	72		902-01-293-1513	#10-32 KEPS NUT
26		901-01-060-0664	7/16-20 X 1" HEX HD SCREW	73		901-02-453-1123	#10-32 X 1/2" PAN HD SCREW
27		904-10-031-2097	FLAT WASHER	74		427-99-048-0001	FOOT
*		438-01-317-0128	SWITCH KIT ASSY, CONST OF: (SEE NOTE A)	75		438-01-004-0054	CABLE TIE
28		902-01-010-1300	5/16 -18 NUT	80		34-895	MITER GAGE, CONST OF:
29		904-01-010-1620	WASHER	80		422-02-074-0001	HOLE PLUG
30		901-03-033-1046	5/16-18 X 1" FLAT HD SCREW (SEE NOTE A)	81		422-02-060-0003	HANDLE
31		902-01-120-1034	3/8-16 JAM NUT (SEE NOTE A)	82		904-07-010-5555	1/4" FIBER WASHER
32		422-39-067-0001	SWITCH ACTUATOR	83		422-01-355-0004	MITER GAGE BODY, INCL:
33		422-19-001-0003	SWITCH PLATE (SEE NOTE A)	84		901-04-150-1181	1/4-28 X 3/16" HEX SOC SET SCREW
34		438-01-317-0127	SWITCH	85		901-04-150-9428	#08-32 X 1/2" HEX SOC SET SCREW
36		422-39-014-0022	SWITCH BOX COVER	86		422-04-004-0001	BAR, INCL:
37		901-05-163-1229	#10-16 X 1/2" PAN HD SCREW	87		422-01-088-0004	STOP LINK
38		901-05-163-1229	#10-16 X 1/2" PAN HD SCREW	88		901-04-150-1181	1/4-28 X 3/16" HEX SOC SET SCREW
39		422-39-013-0001	SWITCH BOX	89		422-01-075-0001	POINTER
40		901-05-163-1126	#08-32 X 5/16" PAN HD SCREW	90		422-01-112-0001	SCREW
41		438-01-302-0671	CORD W/FEMALE CONNECTOR (SEE NOTE B)	91		422-04-072-0001	PLATE
42		438-01-302-0672	CORD SET (SEE NOTE B)	92		901-02-030-5750	1/4-28 X 5/16" FLAT HD SCREW
45		34-154	TABLE INSERT, INCL:	93		422-19-725-0024	HARDWARE PACK
46		901-04-461-5297	1/4-28 X 3/8" HEX SOC SET SCREW				
47		901-04-293-1395	5/16-18 X 3/4" HEX SOC SET SCREW				
48	n	422-35-391-0003	TABLE	*			NOT SHOWN ASSEMBLED

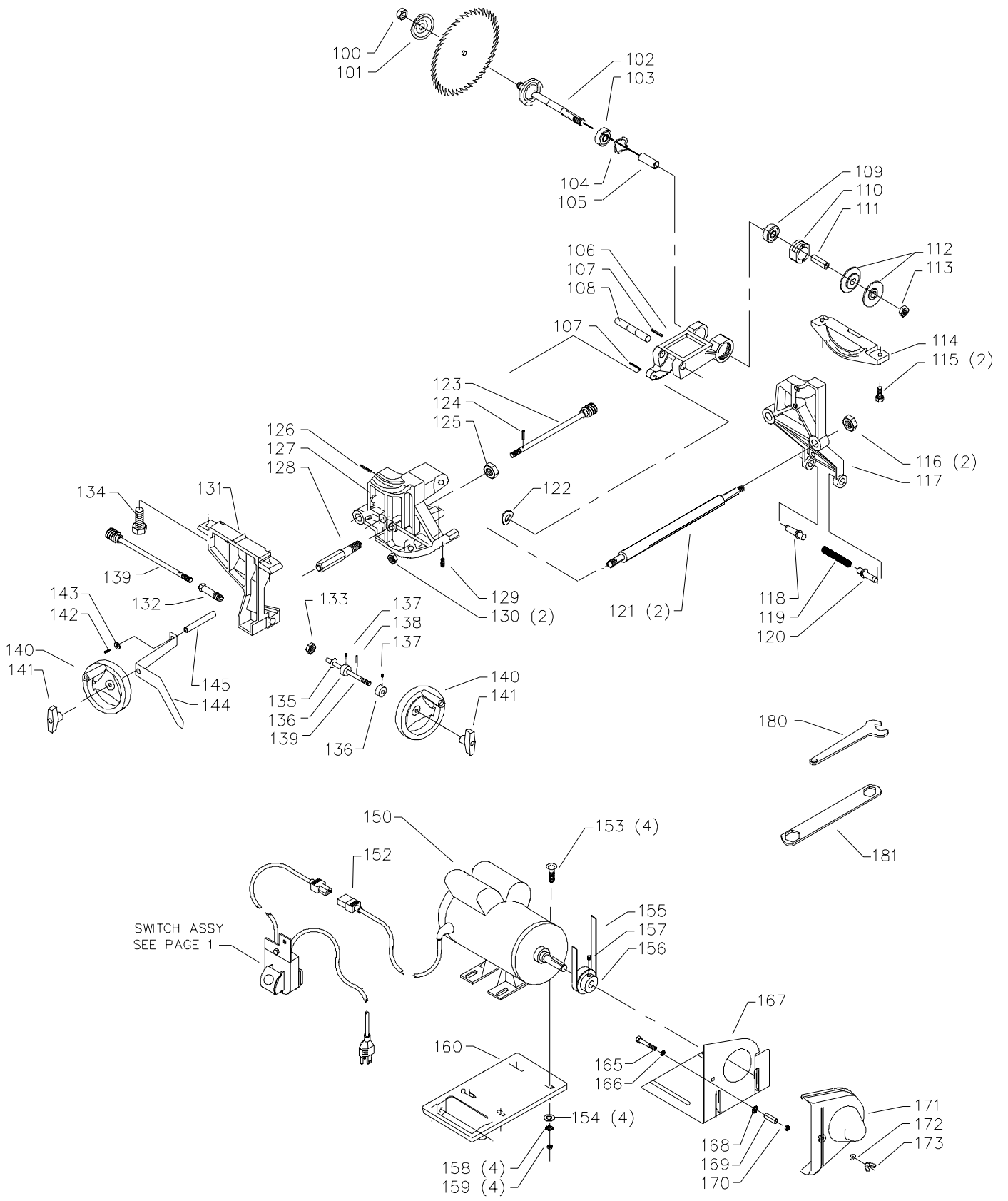
## SERVICE NOTES:

**A** – Refer to you Fence System owners manual for correct Switch mounting configuration and correct mounting hardware.

**B** – When installing power cords , (Ref. 41 & 42), in to the switch box, take care to ensure that the cords outer insulating jacket passes through the switch box cord clamp area before tightening the switch box assembly screws.

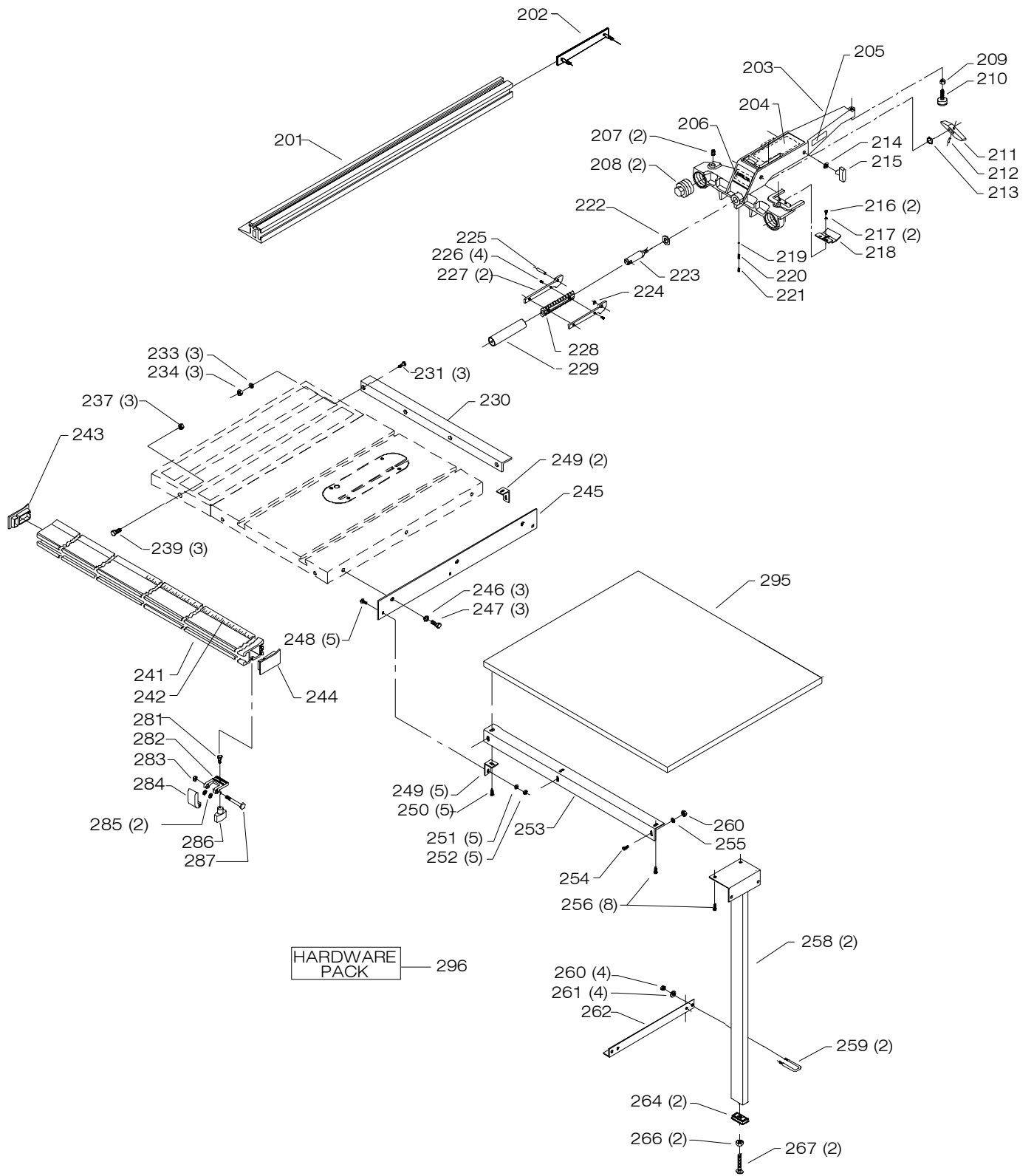
**C** – For units built with serial number beginning with, '01G' and after.

**D** – For units built with serial number beginning with, '01F' and before.



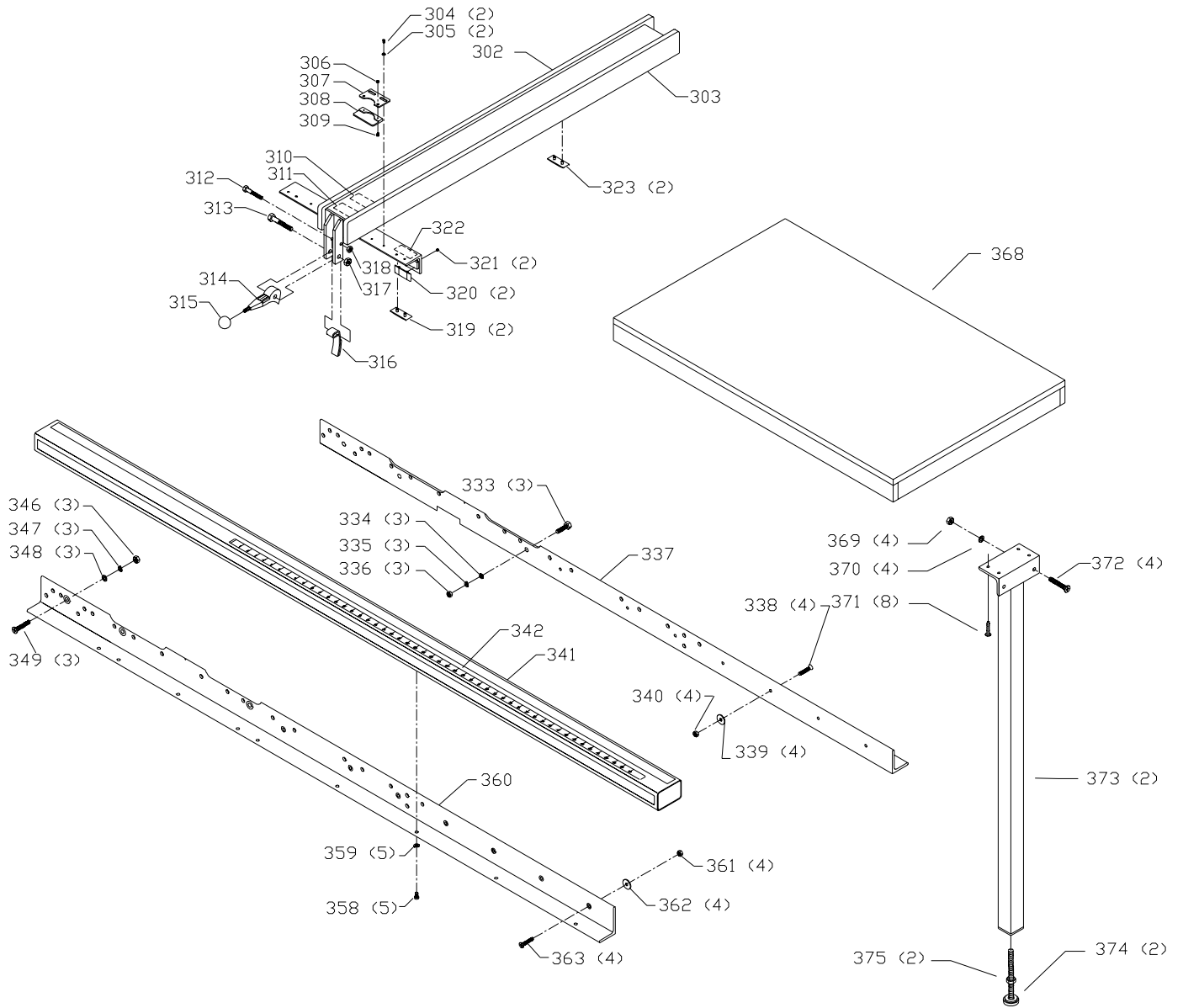
# REPLACEMENT PARTS

Ref.			Ref.		
<u>No.</u>	<u>Part No.</u>	<u>Description</u>	<u>No.</u>	<u>Part No.</u>	<u>Description</u>
100	902-01-200-9848	ARBOR NUT - LH	136	426-03-388-0001	SET COLLAR ASSY, INCL:
101	422-04-103-5001	FLANGE	137	901-04-150-0208	1/4-20 X 1/4" HEX SOC SET SCREW
102	422-19-303-0002	ARBOR ASSY	138	905-01-010-2711	1/8" X 5/8" SPRING PIN
103	1086894	BALL BEARING	139	1087893	TILT SHAFT ASSY, INCL:
104	928-06-020-7382	LOAD SPRING	**	905-01-010-2716	1/8" X 9/16" SPRING PIN
105	1087857	SPACER	140	1086491	HANDWHEEL ASSY
106	422-02-014-0017	ARBOR BRACKET	141	422-19-138-0003	KNOB
107	905-01-010-2710	3/16" X 7/8" SPRING PIN	142	901-03-010-3309	1/4-20 X 5/8" HEX SOC HD SCREW
108	952-01-101-3267	ARBOR BRACKET SHAFT	143	904-01-010-1614	FLAT WASHER
109	1086894	BALL BEARING	144	422-19-075-0001	POINTER
110	902-07-020-7176	BEARING CLOSURE NUT	145	422-19-104-0001	SPACER
111	422-19-104-0005	SPACER	150	62-044	MOTOR ASSY, INCL:
112	422-19-130-0001	PULLEY HALF	152	438-01-302-0661	CORD W/MALE CONNECTOR (SEE NOTE B)
113	902-01-020-1226	5/8-18 JAM NUT	153	901-11-020-0834	5/16-18 X 3/4" CARRIAGE HD SCREW
114	422-02-014-0010	TRUNNION BRACKET - REAR	154	904-01-010-1620	FLAT WASHER
115	901-02-763-1526	5/16-18 X 7/8" HEX WASHER HD SCREW	155	49-034	BELT
116	902-01-283-1393	5/8-18 LOCK NUT	156	926-01-041-9366	MOTOR PULLEY (2-1/4"OD), INCL:
117	422-19-095-0004	REAR TRUNNION	157	901-04-150-0206	5/16-18 X 5/16" HEX SOC SET SCREW
118	422-19-071-0002	PIN	158	904-03-030-1656	5/16" EXT TOOTH WASHER
119	422-19-122-0001	SPRING	159	902-01-010-1300	5/16-18 HEX NUT
120	422-19-071-0002	PIN	160	422-02-089-0005	MOTOR PLATE
121	422-19-004-0002	TIE BAR	*	34-965	BELT & PULLEY GUARD, CONST OF:
122	928-06-013-1779	11/16" WAVE WASHER	165	901-01-060-3124	1/4-20 X 1 1/2" HEX HD SCREW
**	905-01-010-2716	1/8" X 9/16" SPRING PIN	166	904-03-030-1757	1/4" EXT TOOTH WASHER
123	422-35-406-0001	ELEVATING SHAFT ASSY	167	1088314	PLATE
124	905-01-010-2711	1/8" X 5/8" SPRING PIN	168	904-01-010-1614	FLAT WASHER
125	902-01-020-1226	5/8-18 JAM NUT	169	424-03-017-0003	SPACER
126	905-01-010-2706	3/16" X 1" SPRING PIN	170	902-01-120-1034	1/4-20 HEX NUT
127	422-35-095-0001	FR. TRUNNION	171	1088315	COVER
128	422-35-105-0001	SLEEVE	172	904-03-030-1757	1/4" EXT TOOTH WASHER
129	901-04-141-9152	1/4-20 X 5/16" HEX SOC SET SCREW	173	902-04-010-1402	1/4-20 WING NUT
130	902-01-283-1393	5/8-18 LOCK NUT	180	955-01-050-1472	WRENCH
131	1087233	FR. TRUNNION, INCL:	181	422-39-101-0001	7/8 X 1/2" WRENCH
132	422-35-042-0001	ECCENTRIC			
133	902-01-020-9145	9/16-18 HEX NUT	*		NOT SHOWN ASSEMBLED
134	901-02-763-1526	5/16-18 X 7/8" HEX WASHER HD SCREW	**		NOT SHOWN
135	904-07-010-5554	3/8" FIBER WASHER			



# REPLACEMENT PARTS

<u>Ref.</u>	<u>Part No.</u>	<u>Description</u>	<u>Ref.</u>	<u>Part No.</u>	<u>Description</u>
201	34-916	FENCE	244	422-27-020-0004	END CAP-RH
202	400-06-327-0001	CLAMP ASSY	245	422-27-001-0002	ADAPTOR
203	400-06-312-0005	FENCE BODY ASSEMBLY, INCL:	246	904-02-010-1716	7/16" LOCK WASHER
204	422-27-754-0012	LABEL	247	901-01-060-0664	7/16-20 X 1" HEX HD SCREW
205	422-27-752-0018	LABEL	248	901-11-020-0821	1/4-20 X 3/4" CARRIAGE HD SCREW
206	422-27-754-0013	LABEL	249	422-27-089-0007	ANGLE BRACKET
207	422-39-112-0005	LEVELING SCREW	250	901-25-043-1791	#8 X 3/4" HEX WASHER HD SCREW
208	422-39-048-0001	ADJUSTMENT PLUG	251	904-01-010-1614	FLAT WASHER
209	902-01-010-1300	5/16-18 HEX NUT	252	902-01-120-1034	1/4-20 HEX NUT
210	422-27-048-0001	REAR SUPPORT FOOT	253	422-27-089-0018	TABLE SUPPORT
211	422-27-068-0003	LOCKING LUG	254	901-01-060-0612	1/4-20 X 5/8" HEX HD SCREW
212	905-01-010-2702	1/4" X 5/8" SPRING PIN	255	904-01-010-1614	FLAT WASHER
213	908-25-013-1808	O-RING	256	901-25-043-1791	#8 X 3/4" HEX WASHER HD SCREW
214	904-01-010-1620	FLAT WASHER	258	422-27-366-0005	LEG ASSY
215	424-12-060-0005	KNOB	259	422-27-112-0005	U-BOLT
216	901-02-443-1812	#8-32 X 1/2" PAN HD SCR	260	902-01-120-1034	1/4-20 HEX NUT
217	904-01-013-1738	3/16" FLAT WASHER	261	904-01-010-1614	FLAT WASHER
218	400-06-375-0002	CURSOR	262	422-27-089-0017	SHELF SUPPORT
219	921-01-110-0001	BALL	264	1350481	LEG ADAPTER
220	928-01-250-0001	SPRING	266	902-01-020-5433	3/8-16 JAM NUT
221	901-04-150-9440	1/4-20 X 1/2" HEX SOC SET SCREW	267	901-09-131-5295	LEVELING SCREW
222	422-27-104-0002	THRUST WASHER	281	901-01-060-0649	5/16-18 X 1.00 HEX HEAD SCREW
223	422-39-106-0002	SHAFT	282	422-27-084-0007	BRACKET
224	908-25-013-1756	O-RING	283	902-01-212-2409	LOCKNUT
225	905-01-103-1370	5/16" X 1 1/4" SPRING PIN	284	422-27-088-0002	FLIP STOP
226	901-05-163-1229	#10-16 X 1/2" PAN HD SCREW	285	904-07-010-5573	WASHER
227	422-39-019-0001	CAM HANDLE	286	424-12-060-0005	KNOB 2" 5/16-18
228	422-39-138-0002	HANDLE	287	901-01-060-0622	1/4-20 X 2" HEX HEAD SCREW
229	422-39-105-0001	GRIP	295	36-893	TABLE
230	422-19-089-0013	EXT WING SUPPORT	296	422-27-725-0016	HARDWARE PACK
231	901-01-060-0642	3/8-16 X 1" HEX HD SCREW			
233	904-01-010-1615	3/8" FLAT WASHER	*	NOT SHOWN ASSEMBLED	
234	902-01-010-5900	3/8-16 JAM NUT	**	NOT SHOWN	
237	902-01-010-5900	3/8-16 JAM NUT			
239	901-01-060-0648	3/8-16 X 1 1/4" SCREW			
241	422-27-055-0008	FR. GUIDE RAIL, INCL:			
242	400-06-432-0001	SCALE KIT (SEE A)			
243	422-27-020-0003	END CAP-LH			



# REPLACEMENT PARTS

<u>Ref. No.</u>	<u>Part No.</u>	<u>Description</u>	<u>Ref. No.</u>	<u>Part No.</u>	<u>Description</u>
*	78-914	FENCE ASSY, INCL:	337	1359176	REAR RAIL (30")
302	1359178	LEFT BOARD KIT (SEE NOTE A)	338	1350289	1/4-20 X 1 1/2" FLAT HD SCREW
303	1359179	RIGHT BOARD KIT (SEE NOTE A)	339	1350317	1/4" FLAT WASHER
304	1350275	#10-32 X 3/8" ROUND HD SCREW	340	1350284	1/4-20 HEX NUT
305	1350276	FLAT WASHER	341	1359177	GUIDE TUBE ASSY (30"), INCL:
306	1350315	#10-32 HEX NUT	342	79-064	SCALE (SEE B)
307	1352593	CURSOR	346	1350291	3/8-16 HEX NUT
309	1350316	#10-32 X 1/2" FLAT HD SCREW	347	1350288	3/8" LOCK WASHER
310	1350077	FLAG DECAL	348	1350286	FLAT WASHER
311	1350156	NAMEPLATE	349	1352011	3/8-16 X 1 1/2" FLAT HD SCREW
312	1350277	1/4-20 X 1 3/4" HEX HD SCREW	358	1350295	1/4-20 X 1/2" HEX HD SCREW
313	1350278	SPECIAL SCREW	359	1350293	1/4" LOCK WASHER
314	1352490	CAM HANDLE ASSY	360	1359175	FR. RAIL (30")
315	1350050	KNOB	361	1350284	1/4-20 HEX NUT
316	1352492	CAM FOOT ASSY	362	1350317	1/4" FLAT WASHER
317	1350279	3/8-16 LOCK NUT	363	1350289	1/4-20 X 1 1/2" FLAT HD SCREW
318	1350280	1/4-20 LOCK NUT	368	78-943	RIGHT EXT 30IN WHL
319	1350019	GLIDE PAD	369	1350284	1/4-20 HEX NUT
320	1350051	GLIDE PAD	370	1350283	1/4" FLAT WASHER
321	1350492	3/8-16 X 5/16" HEX SOC SET SCREW	371	1350630	#08 X 5/8" PAN HD SCREW
322	1350155	DECAL	372	1350289	1/4-20 X 1 1/2" FLAT HD SCREW
323	1350019	GLIDE PAD	373	1352485	LEG ASSY
333	1350285	3/8-24 X 1 1/4" HEX HD SCREW	374	1350194	LEVELING ASSY
334	1350286	FLAT WASHER	375	1350291	3/8-16 HEX NUT
335	1350288	3/8" LOCK WASHER			
336	1350287	3/8-24 HEX NUT	*	NOT SHOWN ASSEMBLED	

---

## STANDARD SAFETY EQUIPMENT

In order to promote tool safety, Delta Machinery strictly enforces the policy of repairing or replacing any damaged or missing standard safety equipment on machines presented to Delta Authorized Service Centers for service/repairs. Any product that is presented to a Delta Authorized Service Centers for repairs which contains missing or damaged standard safety equipment will have that equipment repaired or replaced and the customer will be charged for any such service/repairs. Customers can avoid such charges only if the missing safety component is supplied to the service center at the time of repair.

*This parts list is provided to aid in obtaining service parts. Copies of the instruction and maintenance literature can be obtained through the Delta Technical Publications Department or through your service outlet.*