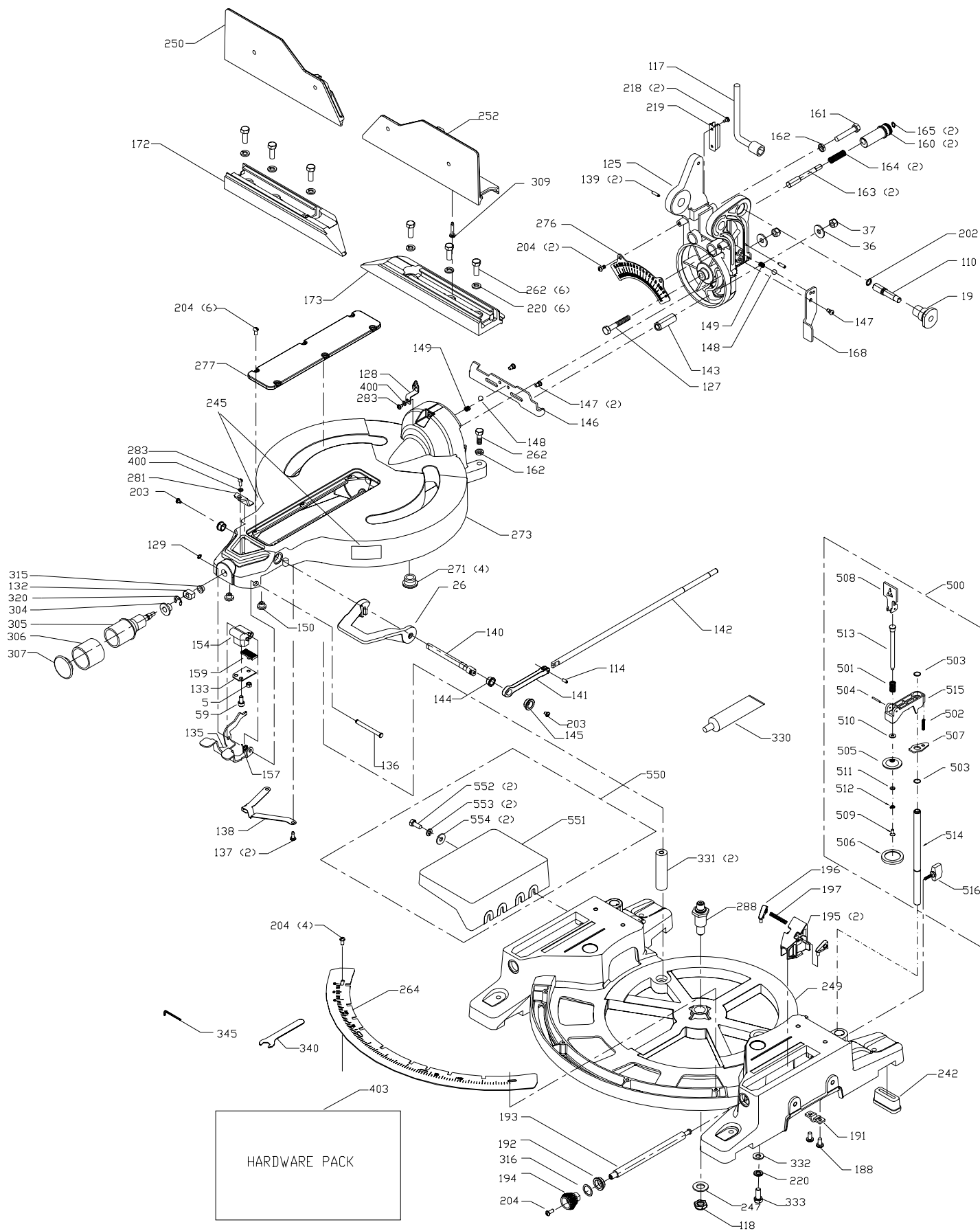


REPLACEMENT PARTS

Ref. <u>No.</u>	<u>Part No.</u>	<u>Description</u>	Ref. <u>No.</u>	<u>Part No.</u>	<u>Description</u>
1	901-02-120-1711	SCREW , #10-32 X 3/8"	86	910150	HANDLE GRIP
5	1343504	LOCK NUT	88	910153	CHIP DEFLECTOR
6	1347280	PLATE	91	904574	WEAR PLATE
8	910021	MOUNT	92	910128	SPRING
9	1342998	SPRING	93	1349953	SCREW
10	1343054	SCREW, M5 X 10MM	94	1345483	DUST SPOUT
11	908601	SCREW	95	900243	DUST BAG
12	1347232	OUTER BLADE FLANGE	105	910133	LINKAGE
13	1349165	SCREW, 5/16-18 X 5"	137	886538	SCREW, 10-24X.1/2"
14	910146	GUARD STOP	175	1344003	BEARING
16	SEE CATALOG	BLADE	176	894443	GEAR
17	910152	INNER BLADE FLANGE	177	1243407	RET RING
18	1231355	SCREW	178	906349	KEY
20	910147	DUST SHROUD	182	904586	BEARING RETAINER
22	1243520	LOCK WASHER	183	910130	BEARING RETAINER
25	894461	WASHER	184	910713	SHAFT
27	886538	SCREW, 10-24 X 1/2:	185	1343259	BEARING
28	910118	CORD COVER	186	904590	LOCK PIN
30	893944	SCREW, 10-24 X 1	187	906353	SPRING
31	910719	HANDLE SET	197	910139	SPRING
32	910717	LOWER GUARD	198	910105	REAR GUARD
33	910579	SPACER	199	909882	UPPER GUARD
34	910148	BUSHING	202	910655	O-RING
35	910149	SPRING	204	912164	SCREW, M5 X .8 X 10
36	904-01-031-2937	WASHER	207	910584	SCREW, M4 X 1.75 X 8
37	1342922	LOCK NUT, 5/16-18	208	910585	SCREW, 10-24 X 5/16"
38	1313306	SCREW, M6 X 1.0 X 18	209	910586	SCREW, M6 X 1 X 55
40	1349622	BLOCK	216	910371	SCREW, M5 X .8
41	1350297	SCREW, #08 X 3/4"	322	438-01-007-0042	WIRE NUT
45	1087576	SCREW, #08 X 1/2"	401	893180	SCREW, M4 X 12MM
47	895393	SWITCH			
52	911704	CORD CLAMP			
53	894431	CORD			
58	910712	JACKSHAFT			
62	882185	SCREW, 8-16 X3/8"			
63	909881	GEAR HOUSING			
64	910024	HOUSING			
69	1347587	RING			
70	400-08-139-0008	BEARING			
71	894412	ARMATURE			
72	1344026	SCREW, M5 X 65MM			
73	1343538	LOCK WASHER			
74	912714	FIELD			
75	894463	BEARING			
76	1343267	WASHER			
77	894467	MOTOR HOUSING			
79	1246140	WASHER			
80	910132	GUARD MOUNTING PLATE			
82	1246043	SCREW, M5 X 10MM			
83	1348263	BRUSH HOLDER			
84	1348266	BRUSH			
85	1348267	BRUSH CAP			



REPLACEMENT PARTS

<u>Ref. No.</u>	<u>Part No.</u>	<u>Description</u>	<u>Ref. No.</u>	<u>Part No.</u>	<u>Description</u>
5	1343504	LOCK NUT	247	1347252	WASHER
19	910122	STOP	249	909883	BASE
26	910033	HANDLE	250	910175	LEFT FENCE WING
36	904-01-031-2937	WASHER	251	876731	CORD
37	1342922	LOCK NUT, 5/16-18	252	910174	RIGHT FENCE WING
59	1243379	SCREW, M6 X 1 X 10	262	901-01-060-0608	SCREW, 5/16-18 X 7/8"
110	910120	PIN	264	910112	MITER SCALE
114	1342607	PIN	271	1346269	WEAR PAD
117	911320	WRENCH	273	909884	TABLE
118	1347293	LOCK NUT, 1/2-13	276	910121	BEVEL SCALE
125	909885	TRUNNION	277	910116	INSERT
127	901-02-183-1280	SCREW, 5/16-18 X 2"	281	910034	CURSOR
128	910144	POINTER	283	901-02-010-0555	ROUND HD SCREW
129	1341547	RETAINING RING	288	894572	PIVOT BOLT
132	910104	CAM	304	894582	BUSHING
133	910103	LEVER	305	894583	HANDLE
135	910106	LEVER	306	894584	HANDLE COVER
136	910107	PIN	307	900183	CAP
137	886538	SCREW, 10-24X 1/2"	315	894594	BUSHING
138	910108	SPRING CLIP	316	910180	WASHER
139	1330050	SCREW	320	1349940	RET RING
140	910109	SHAFT	330	801945	GREASE
141	910110	CONNECTING ROD	331	910119	SUPPOR ROD
142	910111	SHAFT	332	900019	8.6MX18 FLAT WASHER
143	910140	BUSHING	333	900020	5/16 HEX HD. SCREW
144	910141	BUSHING	340	910699	WRENCH
145	910142	BUSHING	345	891902	HEX WRENCH
146	910068	SLIDE	400	911752	WASHER
147	910217	SCREW	402	1346772	PIN
148	1243426	BALL	403	910710	HARDWARE PKG
149	901691	SPRING			
150	910143	WEAR PAD			
154	910154	LOCK BLOCK			
157	910137	SPRING			
159	910496	PLATE	500	36-218	CLAMP, INCL.: REF. 501 THRU 515
160	910134	BUSHING	501	1346337	SPRING
161	901-01-060-0613	SCREW, 5/16-18 X 1 3/4"	502	1346338	SPRING
162	911709	NUT, 5/16-18 X 4.5MM	503	1348273	RET RING
163	910135	PIN	504	894525	PIN
164	910136	SPRING	505	894527	CUP
165	1330327	RET RING	506	894531	CAP
168	910138	STOP BRACKET	507	894535	LEVER
169	1330682	CLAMP	508	900126	LEVER
171	1343545	WASHER	509	901-02-010-0555	SCREW, #08-32 X 3/8"
172	910715	L. H. LOWER FENCE	510	904-01-010-1603	WASHER
173	910714	R. H. LOWER FENCE	511	904-01-010-1610	WASHER
188	1310162	SCREW, M5 X 0.8 X 12	512	904-02-010-1726	WASHER
191	910126	CLAMP	513	910722	ROD
192	910127	BUSHING	514	910723	SHAFT
193	910123	SPINDLE	515	912047	BODY
194	910032	KNOB	516	894538	KNOB
195	910124	STOP DOG	550	36-300	TABLE ASSY., INCL.: REF. 551 THRU 554
196	910125	EAR	551	910595	TABLE
203	910580	SCREW, M4 X .7 X 6	552	901-01-060-0607	BOLT
204	912164	SCREW, M5 X .8 X 10	553	904-02-010-1703	LOCK WASHER
210	910587	SCREW, M6 X 1 X 35 .	554	894517	WASHER
217	804415	WASHER			
218	901-05-163-1126	SCREW, #08-32 X 5/16"			
219	1346330	CLIP			
220	904-02-010-1703	WASHER			
242	894543	FOOT			
245	911924	ENGLISH WARNING LABEL			
	911938	SPANISH WARNING LABEL			

ACCESSORIES: (Optional)

STANDARD SAFETY EQUIPMENT

In order to promote tool safety, Delta Machinery strictly enforces the policy of repairing or replacing any damaged or missing standard safety equipment on machines presented to Delta Authorized Service Centers for service/repairs. Any product that is presented to a Delta Authorized Service Centers for repairs which contains missing or damaged standard safety equipment will have that equipment repaired or replaced and the customer will be charged for any such service/repairs. Customers can avoid such charges only if the missing safety component is supplied to the service center at the time of repair.

This parts list is provided to aid in obtaining service parts. Copies of the instruction and maintenance literature can be obtained through the Delta Technical Publications Department or through your service outlet.