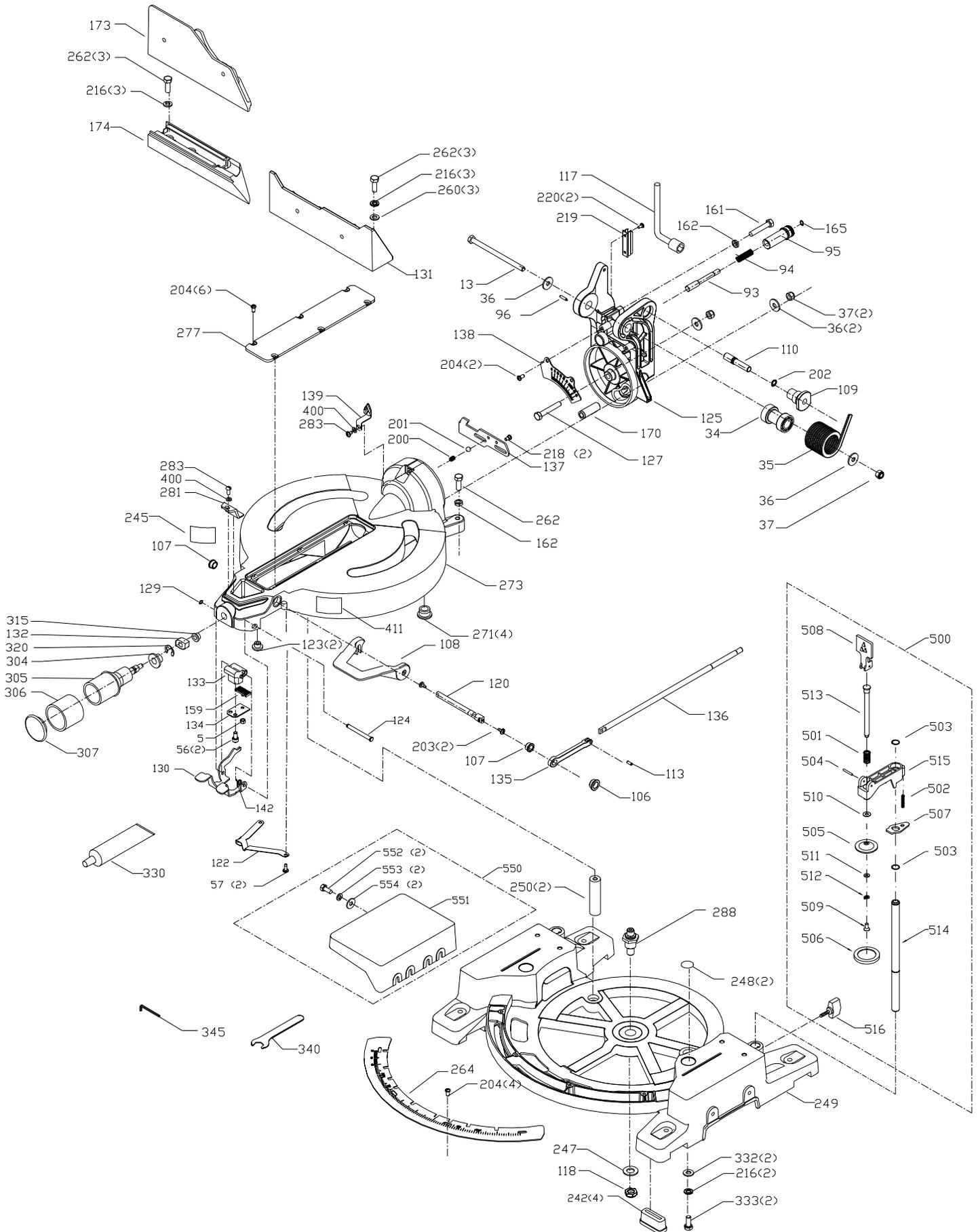


REPLACEMENT PARTS

<u>Ref.</u>	<u>No.</u>	<u>Part No.</u>	<u>Description</u>
	1	901-02-120-1711	SCREW
	2	1347287	PUSH NUT
	3	1347286	WHEEL
	4	1347285	BUSHING
	5	1343504	LOCK NUT
	6	1347280	PLATE
	7	909886	BLADE GUARD
	8	910021	BLADE GUARD MOUNT
	9	1342998	SPRING
	10	1343054	M5 X 10MM SCREW
	11	908601	SCREW
	12	1347232	OUTER BLADE FLANGE
	14	910146	GUARD STOP
	16	SEE CATALOG	12" BLADE
	17	1347233	INNER BLADE FLANGE
	18	901-01-060-0629	SCREW
	20	910147	DUST SHROUD
	22	1243520	WASHER
	23	909877	ARM/GUARD HOUSING
	25	894461	WASHER
	29	900243	DUST BAG
	31	910720	HANDLE SET
	33	910579	SPACER
	40	1349622	BLOCK
	41	1350297	08 X 3/4" SCREW
	45	1087576	08 X 1/2" SCREW
	47	895393	SWITCH
	49	1348861	WASHER
	50	1348860	WASHER
	51	1330682	CLAMP
	52	911704	CORD CLAMP
	53	894431	CORD GROMMET
	57	886538	10-24X1/2" SCREW
	58	900111	JACKSHAFT ASSEMBLY
	59	1347291	M6 X 12 MM SCREW
	60	1347290	M6 X 35MM SCREW
	61	1243407	EXT RET RING
	62	1341834	BALL BEARING
	63	900115	GEAR HOUSING
	64	894453	ARBOR BUTTON
	65	1346716	M6 X 25MM SCREW
	66	894452	RETAINING RING
	67	894454	ARBOR LOCK PIN
	68	1348261	SPRING
	69	1347587	RING
	70	894450	BEARING
	72	1344026	M5 X 65M SCREW
	73	1343538	WASHER
	74	912712	FIELD
	75	400-08-139-0008	BEARING
	76	1343267	WAVE WASHER
	77	894467	MOTOR HOUSING
	79	1246140	WASHER
	81	894476	SCREW
	82	1246043	M5 X 10M M SCREW
	83	1348263	BRUSH HOLDER
	84	1348266	BRUSH
	85	1348267	BRUSH CAP
	87	910158	GUARD MOUNTING PLATE
	92	894412	ARMATURE
	105	910155	LINKAGE
	116	1345483	SPOUT
	119	904574	WEAR PLATE
	121	910037	HANDLE BRACKET
	141	910117	CORD COVER
	143	910150	HANDLE GRIP
	144	882185	8-16 X3/8 SCREW
	145	1349953	SCREW
	148	910375	CHIP DEFLECTOR
	171	1343545	WASHER
	203	910580	M4 X .7 X 6 SCREW
	207	910584	M4 X 1.75 SCREW
	208	910585	10-24 X 5/16 SCREW
	251	876731	CORD
	322	438-01-007-0042	WIRE NUT
	401	893180	SCREW
	402	910710	HARDWARE PACK



REPLACEMENT PARTS

<u>Ref. No.</u>	<u>Part No.</u>	<u>Description</u>	<u>Ref. No.</u>	<u>Part No.</u>	<u>Description</u>
5	1343504	LOCK NUT	271	1346269	WEAR PAD
13	1349165	5/16-18 X 5" SCREW	273	909879	ROTATING TABLE
34	910148	BUSHING	277	910116	INSERT
35	910149	SPRING	281	910041	MITER CURSOR
36	904-01-031-2937	WASHER	283	901-02-010-0555	SCREW
37	1342922	5/16-18 LOCK NUT	288	910239	PIVOT BOLT
56	1243379	M6 X 1 SCREW	304	894582	HAT BUSHING
57	886538	10-24X.1/2" SCREW	305	894583	HANDLE
93	910135	BEVEL PIN	306	894584	HANDLE COVER
94	910136	SPRING	307	900183	CAP
95	910134	ECCENTRIC BUSHING	315	894594	HAT BUSHING
96	1330050	HEX SOC SET SCREW	320	1349940	RETAINING RING
106	910142	BEVEL BUSHING	330	801945	GREASE
107	910141	BUSHING	332	900019	WASHER
108	910033	BEVEL LOCK HANDLE	333	900020	SCREW
109	910122	ARM LIFTING STOP	340	910699	WRENCH
110	910120	HEAD LOCK DOWN PIN	345	891902	HEX WRENCH
113	1342607	DOWEL PIN	400	911752	WASHER
117	911320	SOCKET WRENCH	411	911950	WARNING LABEL
118	1347293	LOCK NUT			
120	910109	BEVEL LOCK SHAFT			
122	910108	MITER DETENT SPRING CLIP			
123	910143	FRONT WEAR PAD	500	36-218	CLAMP, INCL.: REF. 501 THRU 516
124	910107	MITER ASSY PIN	501	1346337	SPRING
125	909880	TRUNNION	502	1346338	SPRING
127	901-02-183-1280	SCREW	503	1348273	RETAINING RING
129	1341547	RETAINING RING	504	894525	PIN
130	910106	MITER DETENT LEVER	505	894527	CUP
131	910035	FENCE RIGHT	506	894531	CAP
132	910104	MITER LOCK CAM	507	894535	LEVER
133	910154	MITER LOCK BLOCK	508	900126	LEVER
134	910103	MITER LOCK LEVER	509	901-02-010-0555	SCREW
135	910110	BEVEL LOCK ROD END	510	904-01-010-1603	WASHER
136	910156	TENSIONING SHAFT	511	904-01-010-1610	WASHER
137	910069	BEVEL DETENT SLIDE	512	904-02-010-1726	WASHER
138	910157	BEVEL SCALE PLATE	513	910722	ROD
139	910144	POINTER	514	910723	SHAFT
142	910137	SPRING	515	912047	BODY
159	910496	MITER SUPPRESSOR	516	894538	KNOB
161	901-01-060-0613	SCREW	550	36-300	TABLE ASSY., INCL.: REF. 551 THRU 554
162	911709	HEX JAM NUT	551	910595	TABLE
165	1330327	RETAINING RING	552	901-01-060-0607	5/16-18 X 3/8 BOLT
170	910140	BUSHING	553	904-02-010-1703	LOCK WASHER
173	910711	FENCE	554	894517	WASHER
174	910716	BOTTOM FENCE ASSY.			
200	901691	SPRING			
201	1243426	STEEL BALL			
202	910655	RING O			
203	910580	M4 X .7 X 6 SCREW			
204	912164	SCREW			
216	904-02-010-1703	WASHER			
218	910217	SCREW			
219	1346330	CLIP			
220	901-05-163-1126	SCREW			
242	894543	FOOT			
245	911948	WARNING LABEL			
247	1347252	WASHER			
248	1348257	WARNING LABEL			
249	909878	BASE			
250	910119	FENCE SUPPORT ROD			
260	1243526	WASHER			
262	901-01-060-0608	SCREW			
264	910151	MITER SCALE PLATE			

ACCESSORIES: (Optional)

STANDARD SAFETY EQUIPMENT

In order to promote tool safety, Delta Machinery strictly enforces the policy of repairing or replacing any damaged or missing standard safety equipment on machines presented to Delta Authorized Service Centers for service/repairs. Any product that is presented to a Delta Authorized Service Centers for repairs which contains missing or damaged standard safety equipment will have that equipment repaired or replaced and the customer will be charged for any such service/repairs. Customers can avoid such charges only if the missing safety component is supplied to the service center at the time of repair.

This parts list is provided to aid in obtaining service parts. Copies of the instruction and maintenance literature can be obtained through the Delta Technical Publications Department or through your service outlet.