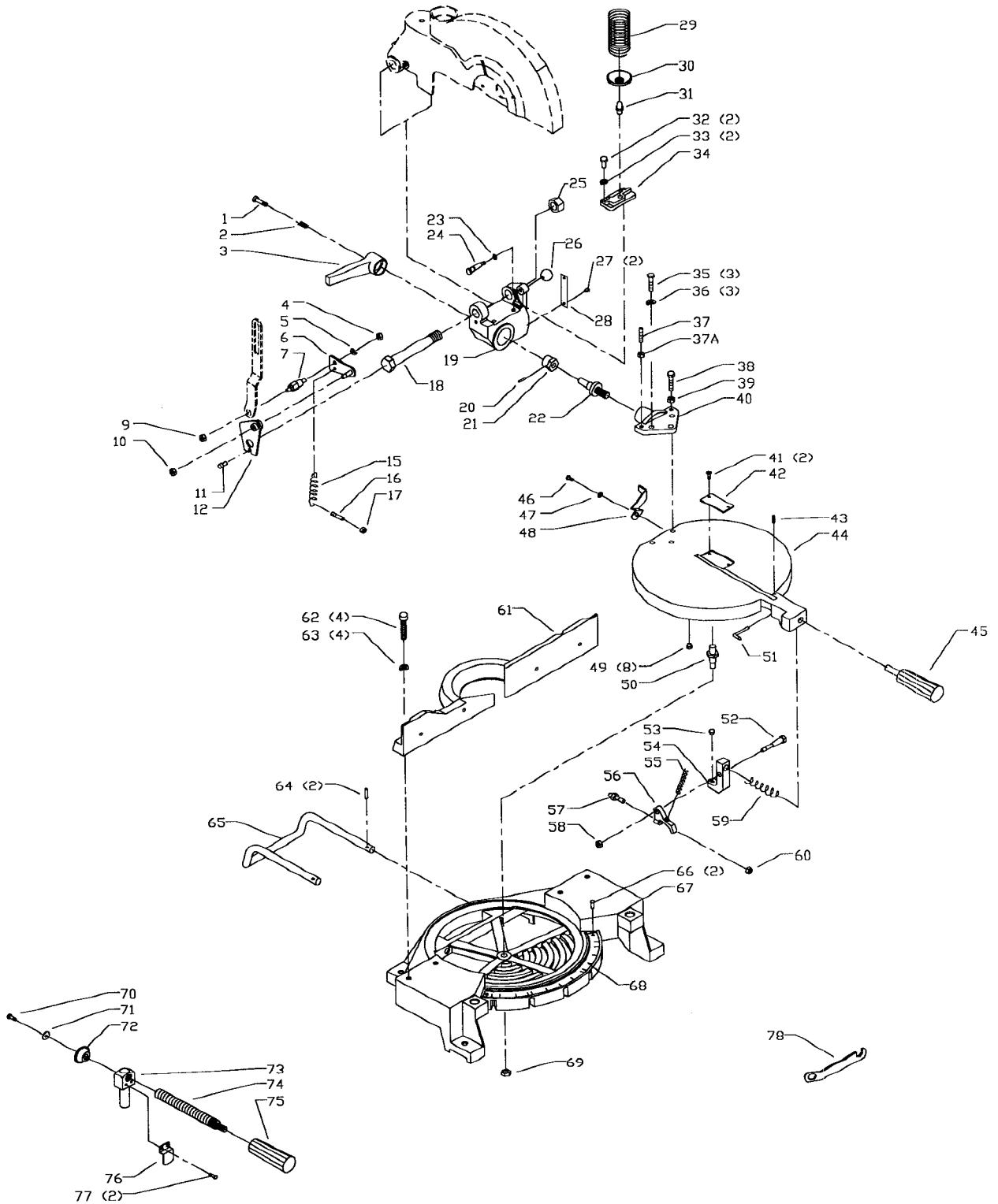


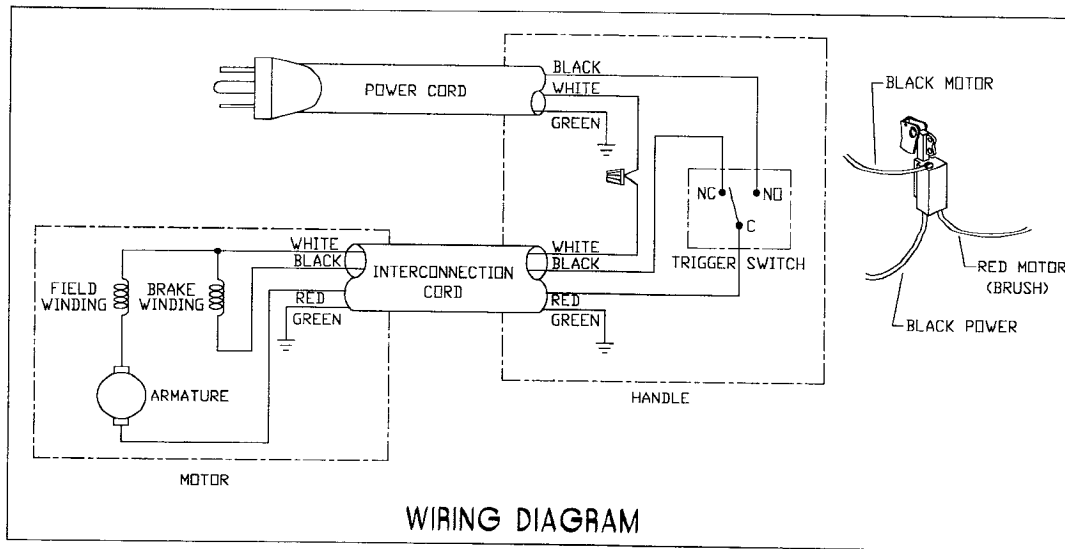
36-210
SIDEKICK 10" MOTORIZED
COMPOUND MITER SAW
FOR SERIAL # K9610 AND LOWER

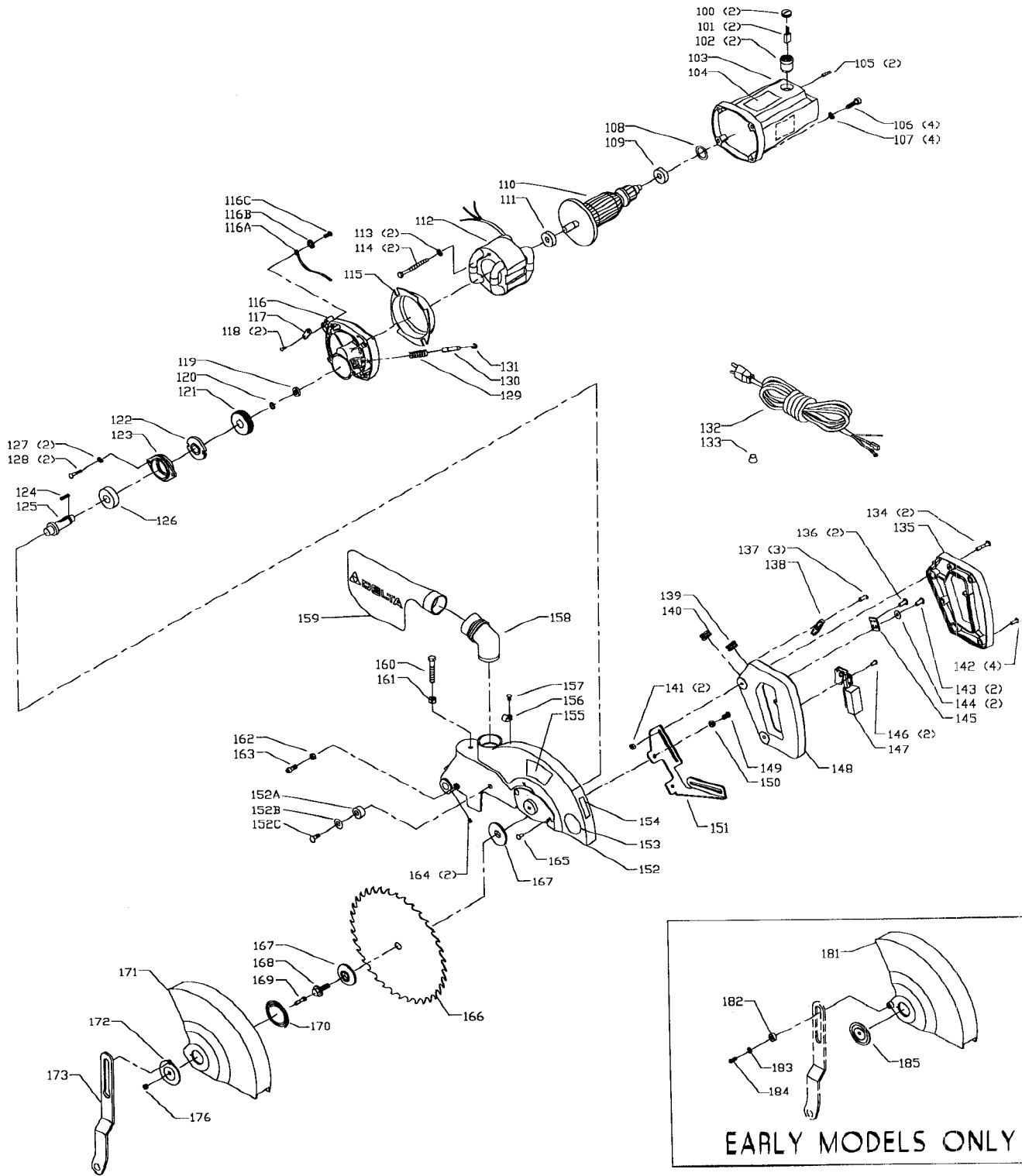


REPLACEMENT PARTS

REF. NO.	PART NUMBER	DESCRIPTION	REF. NO.	PART NUMBER	DESCRIPTION
1	1345531	SCR	43	1243581	(DIN 914) M4 X 6MM HEX SOC SET SCR
2	1345532	SPRING	44	1345451	TABLE
3	1345481	HANDLE	45	1343012	HANDLE
4	1343642	(DIN 985) M6 LOCK NUT	46	1246045	(DIN 84) M6 X 10MM CHEESE HD SCR
5	1243520	(DIN 7980) M6.1 LOCK WASHER	47	904-01-010-1602	3/16" FLAT WASHER
6	1343040	LINK ASSY	48	1345467	POINTER
7	1342982	FLOATING PIN	49	1343008	NYLON INSERT
9	1343642	(DIN 985) M6 LOCK NUT	50	1342973	PIVOT STUD
10	1343642	(DIN 985) M6 LOCK NUT	51	1345468	POINTER
11	1246051	(DIN 912) M5 X 12MM HEX SOC HD SCR	52	1342991	CLAMP SHAFT
12	1345458	PLATE ASSY	53	1343008	NYLON INSERT
15	1343024	SPRING	54	1342990	CLAMP
16	1343045	STUD	55	1343009	SPRING
17	1243456	(DIN 934) M6 HEX NUT	56	1342995	INDEX TRIGGER
18	1345461	SHAFT	57	1342992	INDEX PIN
19	1345454	TRUNNION	58	1343642	(DIN 985) M6 LOCK NUT
20	1310310	(DIN 1481) M3 X 18MM SPRING PIN	59	1343013	SPRING
21	1345480	NUT	60	1343642	(DIN 985) M6 LOCK NUT
22	1345479	STUD	61	1345455	FENCE
23	1345534	O-RING	62	1330147	(DIN 912) M8 X 40MM HEX SOC HD SCR
24	1345533	PIN	63	1246157	(DIN 7980) M8.1 LOCK WASHER
25	1313165	(DIN 985) M16 LOCK NUT	64	1330410	(DIN 1481) M5 X 20MM SPRING PIN
26	1345535	KNOB	65	1342981	STABILIZER BAR
27	1310016	(DIN 1476) 5MM DRIVE SCR	66	1310016	(DIN 1476) 5MM DRIVE SCR
28	1345482	SCALE	67	1342962	BASE
29	1345463	RETURN SPRING	68	1343000	SCALE
30	1345462	CUP	69	1341996	(DIN 985) M10 LOCK NUT
31	1345465	PIN	*	36-221	CLAMP ASSY, INCL:
32	1246004	(DIN 912) M6 X 16MM HEX SOC HD SCR	70	901-02-010-0561	#10-32 X 3/8" ROUND HD SCR
33	1243520	(DIN 7980) M6.1 LOCK WASHER	71	1340608	M6.4 FLAT WASHER
34	1345464	BRACKET	72	1345550	CLAMP CUP
35	1246053	(DIN 912) M8 X 25MM HEX SOC HD SCR	73	1345549	SUPPORT
36	1246157	(DIN 7980) M8.1 LOCK WASHER	74	1345547	SHAFT
37	1246127	(DIN 916) M6 X 30MM HEX SOC SET SCR	75	1345546	KNOB
37A	1243456	(DIN 934) M6 HEX NUT	76	1345548	RETAINER
38	1246175	(DIN 931) M6 X 30MM HEX HD SCR	77	901-02-010-0561	#10-32 X 3/8" ROUND HD SCR
39	1243456	(DIN 934) M6 HEX NUT	78	1342906	1/2" BLADE WRENCH
40	1345453	BRACKET			
41	1246117	(DIN 963) M4 X 10MM FLAT HD SCR			
42	1345466	INSERT			

* NOT SHOWN ASSEMBLED





REPLACEMENT PARTS

<u>REF. NO.</u>	<u>PART NUMBER</u>	<u>DESCRIPTION</u>	<u>REF. NO.</u>	<u>PART NUMBER</u>	<u>DESCRIPTION</u>
*	1345457	MOTOR ASSY, <i>INCL.</i> :	147	1345405	SWITCH
100	1345542	BRUSH CAP	148	1343016	HANDLE (<i>LH</i>)
101	1345541	BRUSH	149	1246067	(DIN 84) M6 X 15MM CHEESE HD SCR
102	1345540	BRUSH HOLDER	150	1243520	(DIN 7980) M6.1 LOCK WASHER
103	1345470	HOUSING, <i>INCL.</i> :	151	1343022	MOUNTING STRAP
104	1346969	WARNING LABEL	152	1345452	UPPER GUARD ASSY, <i>INCL.</i> :
105	1246008	(DIN 916) M5 X 12MM HEX SOC SET SCR	152A	1349870	BUMPER
106	1246091	(DIN 84) M6 X 50MM CHEESE HD SCR	152B	1320086	FLAT WASHER
107	1243520	(DIN 7980) M6.1 LOCK WASHER	152C	1348696	(DIN 7380) M5 X 18MM BUTTON HD SCR
108	1343267	WAVE WASHER	153	1346964	BLADE WARNING LABEL
109	920-08-020-5352	BALL BEARING	154	1342953	DIRECTION DECAL
110	1345539	ARMATURE	155	1346971	NAMEPLATE
111	400-08-139-0008	BALL BEARING	156	1343050	1/2" CABLE CLAMP
112	1345538	FIELD	157	1243394	(DIN 84) M5 X 10MM CHEESE HD SCR
113	1320101	(DIN 6797A) M5.3 EXT TOOTH WASHER	158	1345483	SPOUT
114	1341770	(DIN 85) M5 X 72MM PAN HD SCR	159	34-084	DUST BAG
115	1345477	RETAINER	160	1345536	SPECIAL SCR
116	1345471	HOUSING	161	1243398	(DIN 934) M6 HEX NUT
116A	1349871	GROUND WIRE	162	1243456	(DIN 934) M6 HEX NUT
116B	1320102	(DIN 6797A) M4.3 EXT TOOTH WASHER	163	1246004	(DIN 912) M6 X 16MM HEX SOC HD SCR
116C	1243501	(DIN 84) M4 X 10MM CHEESE HD SCR	164	1246008	(DIN 916) M5 X 12MM HEX SOC SET SCR
117	1345695	CORD CLAMP	165	1345431	SPECIAL SCREW
118	1343526	(DIN 7981B) M4 X 15MM SELF TAP SCR	166	<i>OPTIONAL</i>	BLADE (<i>SEE NOTE A</i>)
119	1344003	NEEDLE BEARING	167	1342975	OUTER FLANGE
*	1345484	JACKSHAFT ASSY, <i>INCL.</i> :	168	1342989	ARBOR BOLT
120	1341016	EXT RET RING	169	1343054	(DIN 603) M5 X 10MM CARRIAGE HD SCR
121	1345475	GEAR	170	1342998	SPRING
122	1345472	COLLAR	*	1345435	BLADE GUARD ASSY, <i>CONST OF.</i> :
123	1345476	SUPPORT	171	1345432	LOWER BLADE GUARD
124	1345537	KEY	172	1345433	PLATE
125	1345469	JACKSHAFT	173	1345456	LINK
126	1066894	BALL BEARING	176	1343504	(DIN 985) M5 LOCK NUT
127	1243520	(DIN 7980) M6.1 LOCK WASHER	181	1345460	LOWER BLADE GUARD (<i>SEE NOTE B</i>)
128	1341104	(DIN 84) M6 X 20MM CHEESE HD SCR	182	1342984	BUSHING
129	1348261	SPRING	183	1246102	(DIN 125) M5.3 FLAT WASHER
130	1345478	PIN	184	1246001	(DIN 84) M5 X 12MM CHEESE HD SCR
131	1330258	EXT RET RING	185	1342996	PLATE (<i>SEE NOTE B</i>)
132	1345544	POWER CORD			
133	438-01-007-0042	WIRE NUT			<i>* NOT SHOWN ASSEMBLED</i>
134	1330011	(DIN 84) M6 X 40MM CHEESE HD SCR			
135	1343017	HANDLE (<i>RH</i>)			
136	1343526	(DIN 7981B) M4 X 15MM SELF TAP SCR			
137	1343526	(DIN 7981B) M4 X 15MM SELF TAP SCR			
138	1343020	CORD STRAP			
139	1343019	3/8" GROMMET			
140	1343018	1/2" GROMMET			
141	1343058	(DIN 6920) M6 FLANGE NUT			
142	1343051	(DIN 7981B) M4.2 X 20MM PAN HD SCR			
143	1310143	(DIN 85) M5 X 8MM PAN HD SCR			
144	1320101	(DIN 6797A) M5.3 EXT TOOTH WASHER			
145	1343021	GROUND LUG			
146	1343526	(DIN 7981B) M4 X 15MM SELF TAP SCR			

NOTE A: USE CROSS CUT BLADES ONLY! DO NOT USE BLADES DESIGNED FOR RIPPING, COMBINATION BLADES OR BLADES WITH EXCESSIVE HOOK ANGLES.

NOTE B: WHEN REPLACING PLATE (REF. NO. 185) AND / OR LOWER BLADE GUARD (REF. NO. 181), ORDER SERVICE ASSY P/N 1345435 BLADE GUARD ASSY, WHICH INCLUDES THE NEW STYLE LINK, PLATE, AND LOWER BLADE GUARD.

STANDARD SAFETY EQUIPMENT

In order to promote tool safety, Delta International Machinery Corp. strictly enforces the policy of repairing or replacing any damaged or missing standard safety equipment on machines presented to Delta Authorized Service Centers for service/repair. Any product which is presented to a Delta Authorized Service Center for repairs which contains missing or damaged standard safety equipment will have that equipment repaired or replaced and the customer will be charged for any such service/repairs. Customers can avoid such charges only if the missing safety component is supplied to the service center at the time of repair.

This parts list is provided to aid in obtaining service parts. Copies of the instruction and maintenance literature can be obtained through the Delta Technical Publications Department or through your local service outlet.