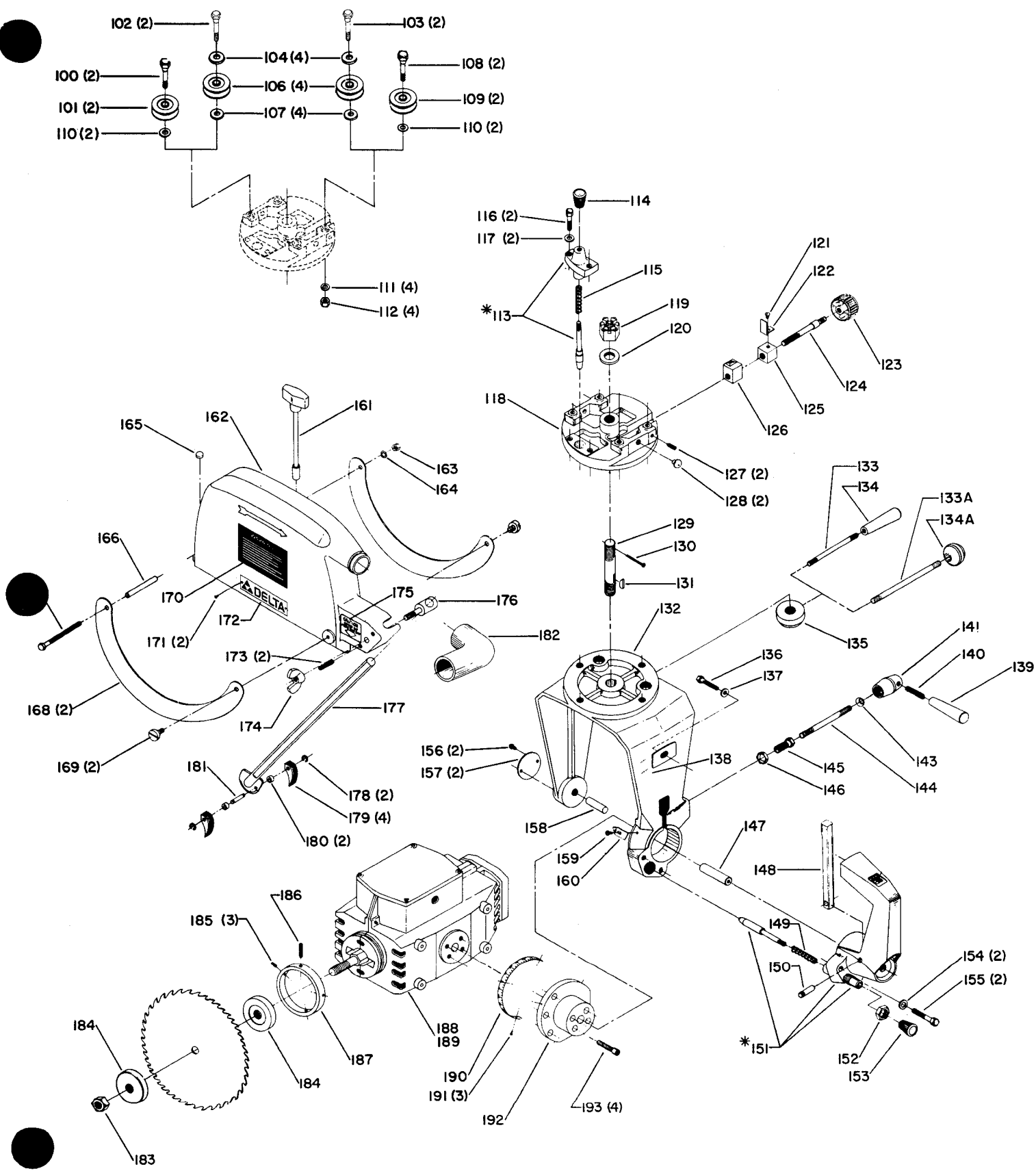


## REPLACEMENT PARTS

REF. NO.	PART NO.	DESCRIPTION	REF. NO.	PART NO.	DESCRIPTION
1	901-02-010-7562	#10-32 x 5/16" Rd Hd Screw	40	424-02-368-0002	Lock, Including 2:
2	424-02-031-0030	Index Cover	**	424-08-068-0001	Key
3	424-02-112-0013	Special Screw	41	424-02-031-0036	Switch Cover
4	424-02-088-0005	Stop	42	901-02-010-0558	#8-32 x 1/4" Rd Hd Screw
5	901-04-161-9252	1/4-28 x 1/2" Soc Set Screw	43	901-02-010-0567	#6-32 x 1/4" Rd Hd Screw
*	424-02-330-0006	Index Column Assembly, Const. of:	44	905-02-011-8145	3/8 x 1 1/2" Groove Pin
6	424-02-030-0004	Index Column	*	424-02-330-0007	Column Assembly, Const. of:
7	424-02-071-0009	Pin	45	424-02-030-0005	Column
8	928-01-251-8872	Spring	46	424-02-128-0001	Column Key
9	400-06-371-0001	Bushing w/Pin (See Service Note A)	47	901-02-030-0406	1/4-20 x 3/4" Flat Hd Screw
10	905-01-010-2729	3/16 x 1/2" Roll Pin	48	901-03-010-3345	1/4-20 x 1" Soc Hd Screw
11	424-02-004-0014	Bar	49	901-03-010-0771	5/16-18 x 7/8" Soc Hd Screw
12	424-02-105-0002	Sleeve	50	424-02-035-0001	Raising Nut
13	905-02-040-6846	1/4 x 1" Groove Pin	51	424-02-031-0035	Rear Cover
14	424-04-031-0009	Support Cover	52	902-04-010-1402	1/4-20 Wing Nut
15	901-02-010-0558	#8-32 x 1/2" Rd Hd Screw	53	901-02-050-0718	5/16-18 x 1/2" Fil Hd Screw
16	901-01-060-0648	3/8-16 x 1 1/4" Hex Hd Screw	54	904-07-081-6237	Rubber Washer
17	904-02-020-1704	3/8" Lockwasher	55	901-02-050-0721	#10-32 x 1/2" Fil Hd Screw
18	424-02-089-0017	Support			(Early Models Only - See Service Note B)
19	438-01-009-0063	Fitting	55	901-02-010-0554	#8-32 x 1/2" Rd Hd Screw
20	438-01-004-0030	Clamp (For Single Phase Only)			(Current Models Only - See Service Note B)
20	438-01-004-0054	Clamp (For Three Phase Only)			
21	901-02-010-0509	1/4-20 x 1/2" Rd Hd Screw	56	424-02-088-0006	Stop
22	1087842	Spacer	57	901-01-060-0614	1/4-20 x 1 1/4" Hex Hd Screw
23	901-01-060-0614	1/4-20 x 1 1/4" Hex Hd Screw	58	904-02-020-1705	1/2" Lockwasher
24	931-01-072-0453	Handle	59	901-03-010-0765	1/2-13 x 1 1/2" Soc Hd Screw
25	901-04-150-0292	5/16-18 x 1 1/4" Headless Set Screw	60	424-02-108-0015	Track Rod (Early Models Only - See Service Note B)
26	424-02-107-0001	Hub	60	424-02-108-0017	Track Rod (Current Models Only - See Service Note B)
27	424-02-027-0010	Clamp	61	902-01-010-1300	5/16-18 Hex Nut
28	928-01-601-8873	Spring	62	424-02-108-0012	Rod
29	901-02-010-0558	#8-32 x 1/4" Rd Hd Screw	63	424-02-132-0003	Rip Scale
30	424-02-031-0032	Bottom Cover	64	901-02-160-3729	#8-32 x 1/4" Pan Hd Screw
31	438-01-004-0007	Clamp	65	424-02-355-0022	Guide (Early Models Only - See Service Note B)
32	961-01-010-7494	Plug	65	424-02-055-0015	Guide (Current Models Only - See Service Note B)
33	901-01-101-9846	5/16-18 x 4 1/4" Hex Hd Screw	66	424-02-331-0013	Front Cover, Incl.:
34	424-02-027-0010	Clamp	67	910-01-071-0132	Heyco Bushing
35	904-07-011-8401	Fiber Washer	68	931-01-042-0455	Knob
36	424-02-071-0017	Pin	69	901-02-050-0718	5/16-18 x 1/2" Fil Hd Screw
37	951-01-021-7019	Pointer	70	904-07-081-6273	Rubber Washer
38	438-01-011-0036	Insulating Paper	*		Not Shown Assembled
39	438-01-017-0213	Manual Switch	**		Not Shown
39	438-01-017-0085	LVC Switch			

### SERVICE NOTES:

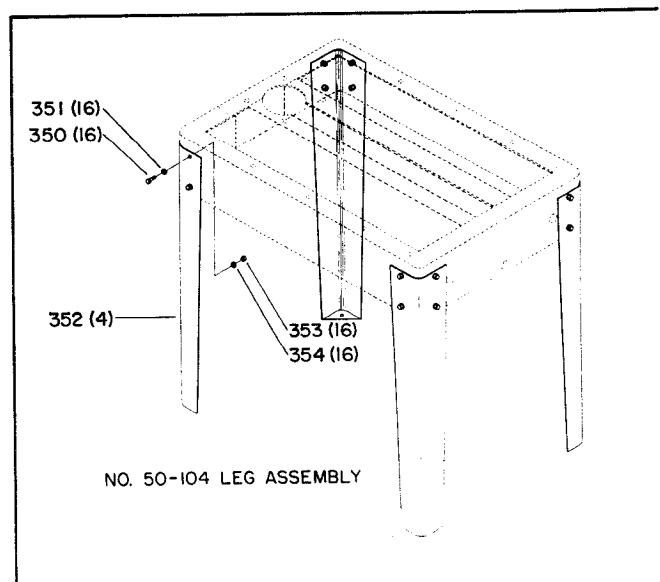
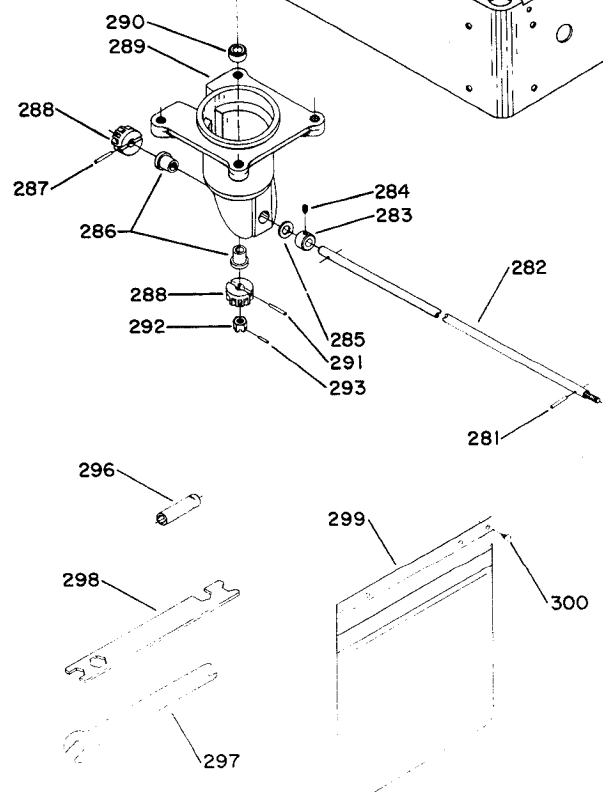
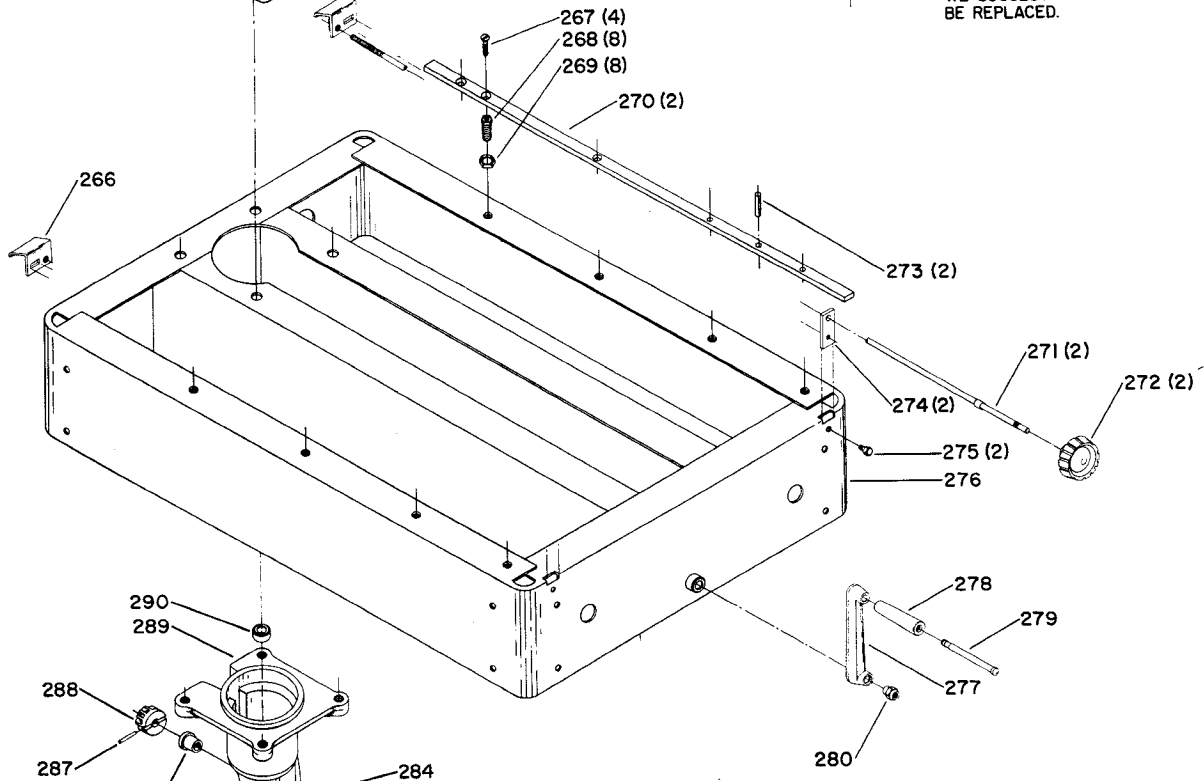
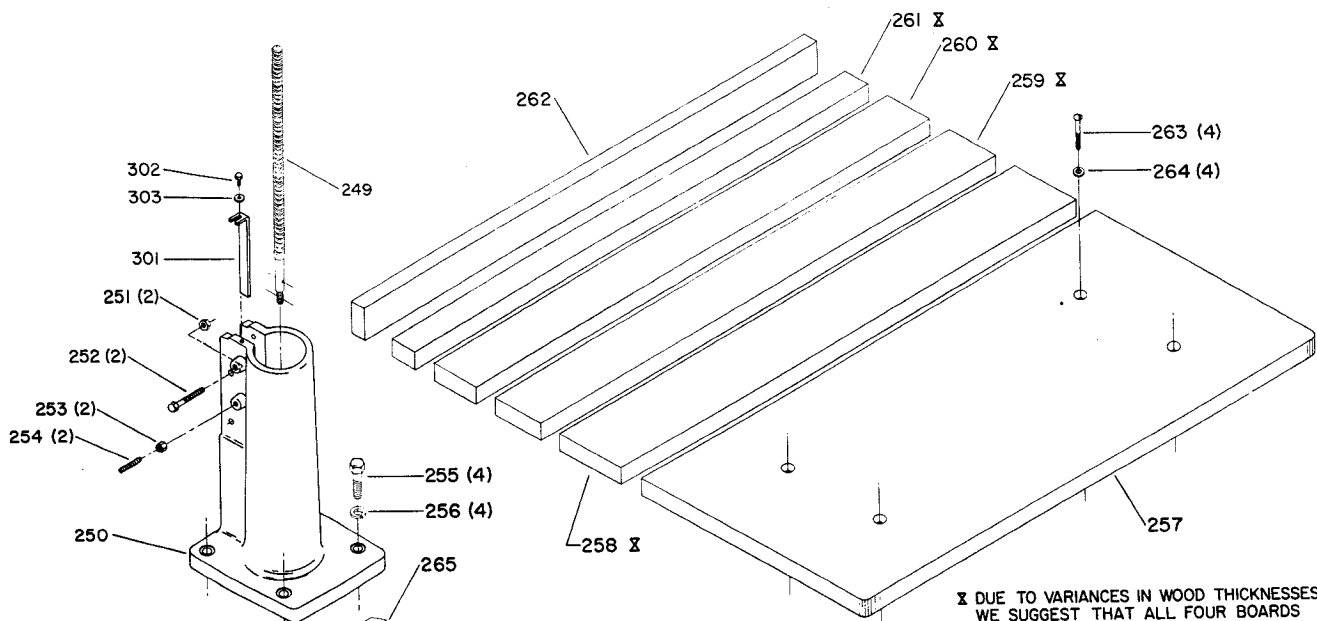
- A - Bushing and Pin are furnished (and must be replaced) as a matched set. A small tube of #680 Loctite is provided with the set to secure the bushing in the Index Column.
- B - Early models had 3/8" diameter track rods. Current models have 5/16" diameter track rods. The early model guide (424-02-355-0022, Ref. No. 65) is a service kit including all parts (Ref. Nos. 55, 60, 65, 102, 103, 104, 106 and 107) required to convert early style machines to current track arm configuration. Instructions are included with kit.



\* TO MAINTAIN THE REQUIRED FIT, THE PLUNGER HOUSINGS ARE HONED AND FITTED WITH THE PLUNGER AND SUPPLIED AS AN ASSEMBLY ONLY.

## REPLACEMENT PARTS

REF. NO.	PART NO.	DESCRIPTION	REF. NO.	PART NO.	DESCRIPTION
100	424-01-111-0002	Stud (Early Models Only)	154	904-01-010-1620	5/16" Flat Washer
101	424-02-080-0001	Bearing	155	901-01-060-0609	5/16-18 x 1 1/2" Hex Hd Screw
102	424-02-111-0015	Stud (Current Models Only)	156	901-02-160-3729	#8-32 x 1/2" Pan Hd Screw
103	424-02-111-0016	Stud-Eccentric (Current Models Only)	157	424-01-072-0002	Trunnion Cover
104	904-01-010-1606	7/16 x 1 x .083" Flat Washer (Current Models Only)	158	424-02-071-0001	Rear Pin
106	424-02-080-0001	Bearing	159	901-02-160-3729	#8-32 x 1/4" Pan Hd Screw
107	904-01-010-1605	3/8 x 7/8 x .083" Flat Washer (Current Models Only)	160	951-01-021-7017	Pointer
108	424-02-111-0010	Stud (Early Models Only)	161	424-02-327-0013	Clamp Assembly
109	424-02-080-0001	Bearing	162	424-02-354-0025	Blade Guard Assembly, Incl.:
110	424-02-083-0001	Shim (Early Models Only)	163	902-01-120-1034	1/4-20 Hex Nut
111	904-02-010-1703	5/16" Lockwasher	164	904-02-020-1702	1/4" Lockwasher
112	902-01-010-1206	5/16-24 Hex Nut	165	1086889	Bumper
113	424-02-388-0019	Stop Assembly, Incl.:	166	1087837	Spacer
114	931-01-021-4099	Knob	167	901-01-060-9596	1/4-20 x 3 1/4" Hex Hd Screw
115	928-01-041-4123	Spring	168	424-02-054-0005	Leaf Guard
116	901-01-060-0649	5/16-18 x 1" Hex Hd Screw	169	901-09-011-2455	Stud
117	904-01-010-1620	5/16" Flat Washer	170	424-02-754-0001	Warning Label
118	424-02-057-0004	Roller Head	171	901-06-450-2250	#4 x 3/16" Drive Screw
119	902-01-161-7838	3/14-16 Castellated Hex Nut	172	406-03-137-0002	Nameplate
120	904-01-031-5749	Special Washer	173	901-04-193-1297	5/16-18 x 1" Spl. Set Screw
121	901-02-010-0569	#8-32 x 5/16" Rd Hd Screw	174	902-04-010-1404	3/8-16 Wing Nut
122	951-01-021-7018	Rip Scale Pointer	175	424-02-752-0050	Caution Label
123	931-02-011-3537	Knob	176	424-02-111-0014	Clamp
124	424-02-112-0011	Screw	177	424-02-408-0017	Kick Back Rod, Incl.:
125	424-02-027-0014	Outer Clamp	178	904-15-062-0269	Retaining Ring
126	424-02-027-0011	Inner Clamp	179	424-04-047-0002	Finger
127	901-04-150-0202	1/4-20 x 1/2" Soc Set Screw	180	424-02-104-0014	Spacer
128	424-03-016-0002	Rubber Bumper	181	424-02-071-0023	Pin
129	424-02-111-0009	Stud	182	424-02-026-0001	Dust Chute
130	905-05-040-2106	1/8 x 1 1/4" Cotter Pin	183	424-12-079-0007	Arbor Nut
131	927-01-100-2606	Hi-Pro Key	184	424-02-103-0001	Flange
132	424-02-102-0007	Yoke	185	901-04-150-0235	#10-24 x 3/8" Set Screw
133	424-02-111-0012	Stud (Early Models Only)	186	901-04-151-9195	1/4-20 x 7/8" Set Screw
133A	424-02-112-0016	Stud (Current Models Only)	187	424-02-001-0011	Collar
134	931-01-072-0453	Handle (Early Models Only)	188	438-02-314-0911	Motor-115/230 V, Single Phase, Incl.:
134A	931-01-011-4091	Handle (Current Models Only)	**	438-01-017-0156	Overload
135	424-02-027-0004	Clamp	**	438-01-029-0010	Capacitor
136	901-01-060-3124	1/4-20 x 1 1/2" Hex Hd Screw	**	438-01-015-0029	Relay
137	904-01-010-1614	1/4" Flat Washer	189	438-02-314-0912	Motor-230/460 V, Three Phase
138	424-12-072-0015	Warning Label	190	438-02-314-0913	Motor-200 V, Three Phase
139	931-01-072-0453	Handle	191	951-02-011-8295	Bevel Scale
140	901-04-150-0292	5/16-18 x 1 1/4" Hdls Set Screw	192	901-06-450-2252	#2 x 3/16" Drive Screw
141	424-02-107-0002	Hub	193	424-02-095-0007	Front Trunnion
143	904-03-010-6676	Spring Washer		901-03-010-0770	5/16-18 x 1 1/4" Soc Hd Screw
144	424-02-111-0008	Stud			
145	424-02-017-0008	Threaded Bushing			
146	902-10-010-2956	Pal Nut	*		Not Shown Assembled
147	424-02-071-0022	Front Trunnion Pin	**		Not Shown
*	424-02-355-0015	Guide Assembly, Const. of:			
148	424-02-004-0015	Lever			
149	928-01-041-5310	Spring			
150	424-02-071-0012	Pin			
151	424-02-355-0013	Guide Assembly, Incl.:			
152	902-01-200-9847	Special Hex Nut			
153	931-01-021-4099	Knob			



# REPLACEMENT PARTS

REF. NO.	PART NO.	DESCRIPTION	REF. NO.	PART NO.	DESCRIPTION
249	424-02-112-0010	Screw	280	424-02-079-0007	Special Retainer
250	424-02-305-0025	Column Base, Incl.:	281	905-04-091-7956	Shear Pin
251	902-01-010-1300	5/16-18 Hex Nut	282	424-02-108-0013	Rod
252	901-02-183-1280	5/16-18 x 2" Mach Screw	283	904-10-991-2051	Collar, Incl.:
253	902-01-020-5435	5/16-18 Hex Jam Nut	284	901-04-150-0208	1/4-20 x 1/4" Soc Set Screw
254	901-04-150-0292	5/16-18 x 1 1/4" Set Screw	285	904-07-010-5567	Fiber Washer
255	901-01-060-0616	1/2-13 x 1 1/2" Hex Hd Screw	286	424-02-017-0003	Bushing
256	904-02-020-1705	1/2" Lockwasher	287	905-01-010-2732	5/32 x 1" Roll Pin
*	424-02-311-0002	Table Board Assy, Consisting of:	288	424-02-051-0008	Gear
257	424-02-011-0018	Front Board	289	424-02-013-0004	Gear Box
258	424-02-011-0007	Board	290	920-52-010-5323	Bearing
259	424-02-011-0008	Board	291	905-01-010-2732	5/32 x 1" Roll Pin
260	424-02-011-0009	Board	292	902-01-161-7837	Castellated Nut
261	424-02-011-0010	Board	293	905-01-010-2717	3/32 x 9/16" Roll Pin
262	424-02-011-0011	Fence	296	424-02-012-0006	Wrench
263	901-02-010-0536	1/4-20 x 1 3/4" Rd Hd Screw	297	955-01-040-1485	1/2" Wrench
264	904-01-010-1614	1/4" Flat Washer	298	424-12-101-0001	Arbor Nut Wrench
265	424-01-327-0005	Clamp Pad - R.H.	299	400-06-603-0001	Envelope
266	424-01-327-0006	Clamp Pad - L.H.	300	400-06-079-0001	Retainer
267	901-02-030-0406	1/4-20 x 3/4" Flat Hd Screw	301	424-12-052-0001	Gib
268	424-01-112-0001	Leveling Screw	302	901-02-010-0559	#10-32 x 1/2" Hex Hd Screw
269	902-10-010-2956	Pal Nut	303	904-01-010-1610	#10 Flat Washer
270	424-02-004-0013	Bar	*	50-104	Leg Assy, Consisting of:
271	424-02-408-0009	Rod Assy	350	901-01-060-0607	5/16-18 x 3/4" Hex Hd Screw
272	931-02-011-9037	Handle	351	904-01-010-1620	5/16" Flat Washer
273	905-01-010-2720	1/4 x 1" Roll Pin	352	424-02-366-0005	Leg Assy
274	424-02-089-0009	Support	353	902-01-010-1300	5/16-18 Hex Nut
275	901-01-060-0601	1/4-20 x 3/8" Hex Hd Screw	354	904-02-010-1703	5/16" Lockwasher
276	424-02-305-0016	Base			
277	424-02-333-0008	Crank Assy., Incl.:	*	Not Shown Assembled	
278	1086395	Handle			
279	422-04-071-5002	Pin			