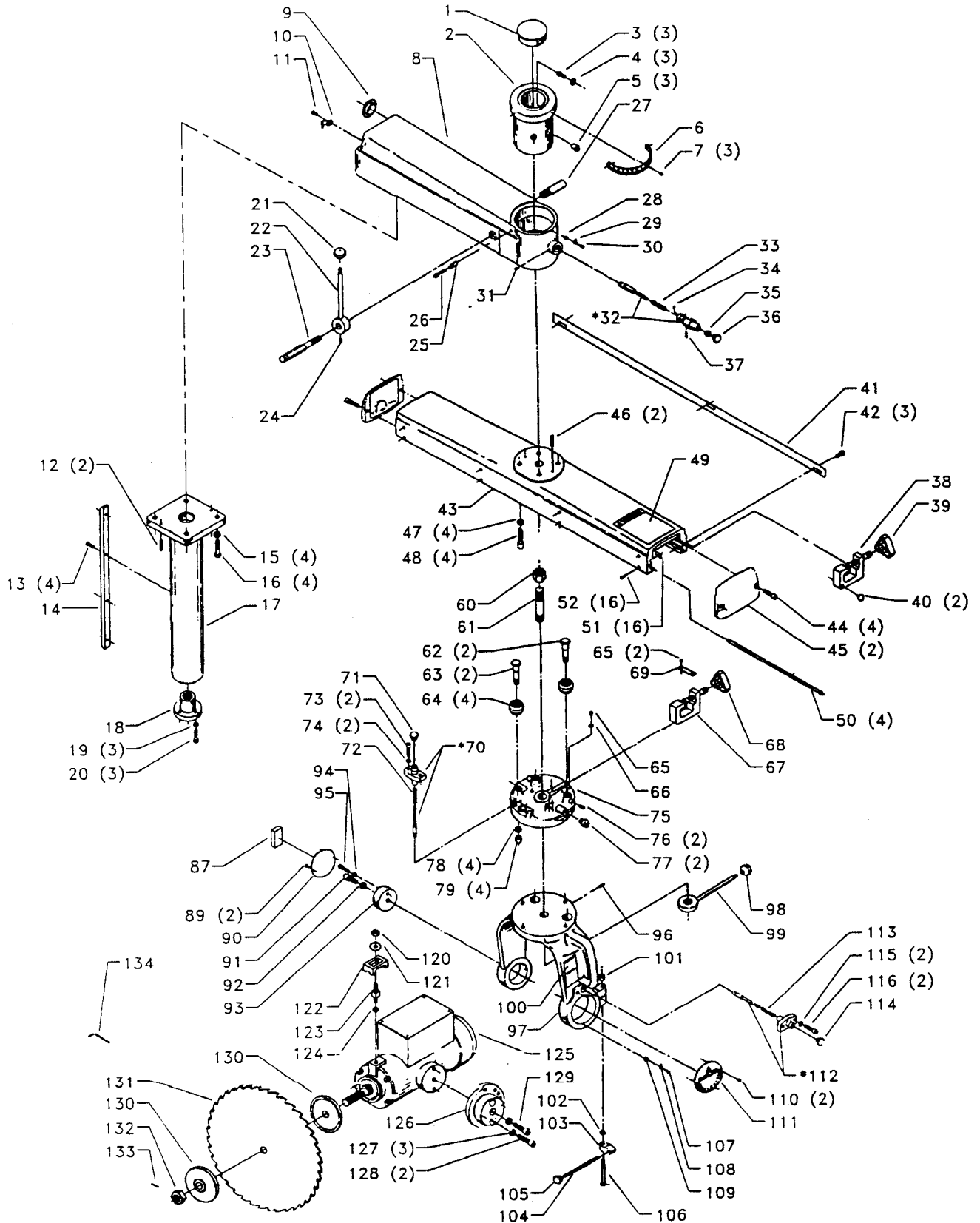


33-400, 33-401, 33-402, & 33-403 14" RADIAL SAWS

33-410, 33-411, 33-412, & 33-413 16" RADIAL SAWS

33-420, 33-421, 33-422, & 33-423 18" RADIAL SAWS

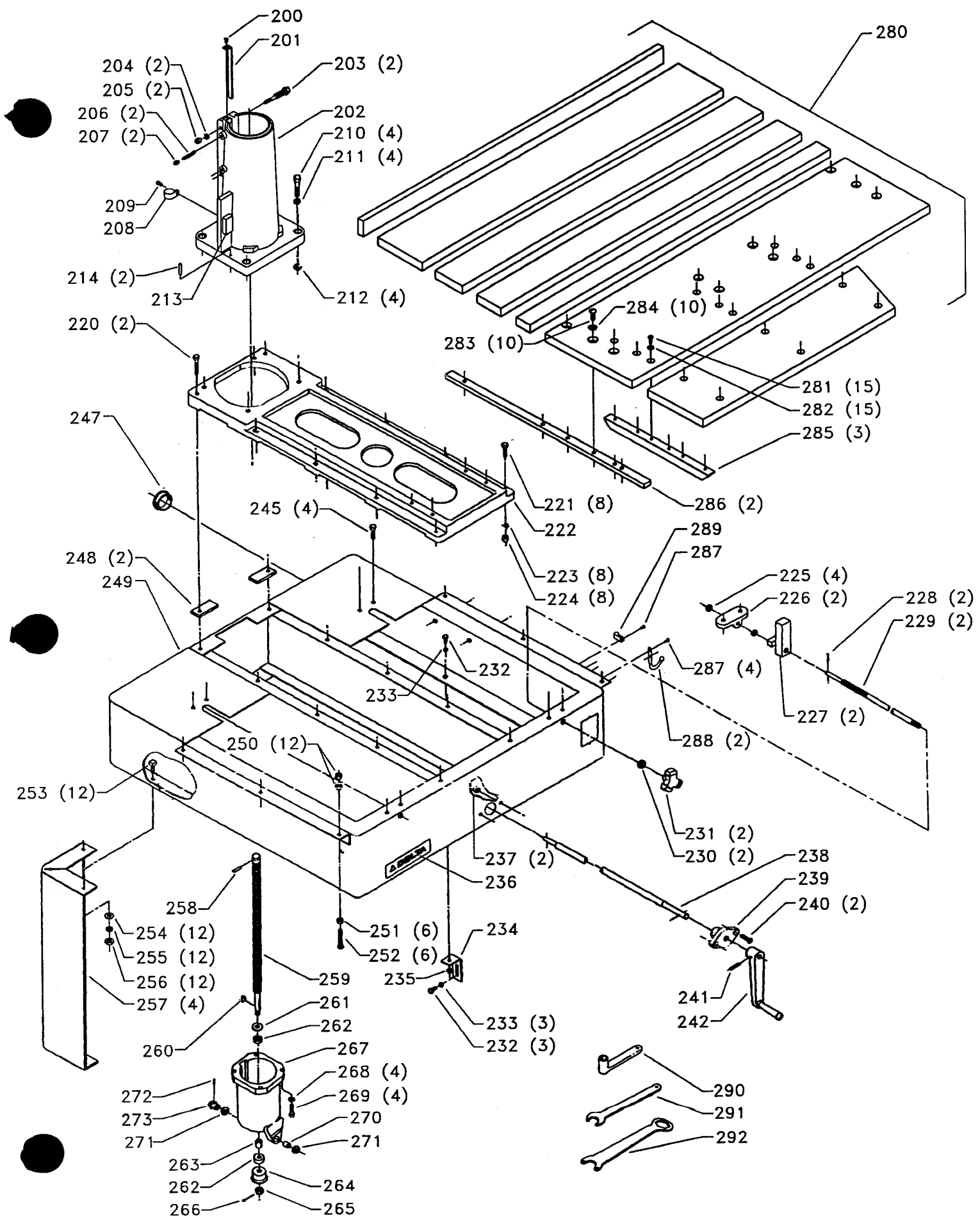
Revised 11-29-91



* To maintain the required fit, the plunger housings are honed and fitted with the plunger and supplied as an assembly.

REPLACEMENT PARTS

REF NO	PART NUMBER	DESCRIPTION	REF NO	PART NUMBER	DESCRIPTION
1	424-03-074-0002	Hole Plug	73	901-03-010-0784	3/16-16 x 1 1/4" Soc Hd Screw
2	424-03-030-0007	Index Column	74	904-02-020-1704	3/8" Lockwasher
3	901-01-060-0605	5/16-18 x 1/2" Hex Hd Screw	75	424-03-057-0001	Roller Head
4	904-10-031-3810	Collar	76	901-04-150-0202	1/4-20 x 1/2" Hex Soc Set Screw
5	424-03-074-0001	Locating Pin	77	424-03-016-0002	Rubber Bumper
6	951-02-011-3974	Miter Scale	78	904-02-020-1705	1/2" Lockwasher
7	901-06-450-2250	#4 x 3/16" Drive Screw	79	902-01-020-1227	1/2-20 Hex Jam Nut
8	424-03-089-0014	Arm	87	424-03-016-0003	Bumper
9	438-01-011-0051	Insulator Bushing	88	904-01-010-1604	1/4" Flat Washer
10	438-01-004-0036	Cable Clamp	89	901-02-010-0558	#8-32 x 1/4" Rd Hd Screw
11	901-03-040-8015	1/4-20 x 1/2" Button Hd Screw	90	424-04-031-0009	Rear Trunnion Cover
12	905-02-010-7105	1/4 x 1 1/4" Groove Pin	91	901-03-010-0793	1/2-13 x 1" Soc Hd Screw
13	901-03-030-8013	1/4-20 x 3/4" Flat Hd Screw	92	904-02-020-1705	1/2" Lockwasher
14	424-04-004-0005	Column Key	93	424-04-095-0002	Rear Trunnion Boss
15	904-02-020-1705	1/2" Lockwasher	94	904-02-010-1703	5/16" Lockwasher
16	901-01-060-3117	1/2-13 x 2" Hex Hd Screw	95	901-03-010-0750	5/16-18 x 1" Soc Hd Screw
17	424-03-030-0008	Column	96	901-04-160-1103	5/16-18 x 5/8" Hex Hd Screw
18	929-76-010-6318	Elevating Nut	97	424-03-102-0005	Yoke
19	904-02-010-1703	5/16" Lockwasher	98	931-01-011-4091	Knob
20	901-01-060-0649	5/16-18 x 1" Hex Hd Screw	99	1085982	Handle Assembly
21	931-01-011-4091	Knob	100	424-12-072-0015	Warning Label
22	1085978	Handle Assembly	101	902-01-040-1026	3/8-16 Hex Nut
23	1085979	Lock Screw	102	904-01-031-2925	Special Washer
24	901-04-150-0206	5/16-18 x 5/16" Hex Soc Set Screw	103	424-04-027-0004	Bevel Lock Nut
25	424-03-017-0003	Spacer	104	901-07-261-3234	Bevel Lock Rod
26	901-03-010-3345	1/4-20 x 1" Soc Hd Screw	105	931-01-021-4099	Knob
27	424-04-061-0003	Cable Support	106	901-01-060-3121	3/8-16 x 3 1/2" Hex Hd Screw
28	904-01-010-1610	#10 Flat Washer	107	901-02-010-0558	#8-32 x 1/4" Rd Hd Screw
29	424-04-075-0001	Pointtr	108	424-04-075-0001	Pointer
30	901-02-010-0558	#8-32 x 1/4" Rd Hd Screw	109	904-01-010-1610	#10 Flat Washer
31	901-04-170-1104	1/4-20 x 1/4" Hex Soc Set Screw	110	901-02-010-0567	#6-32 x 1/4" Rd Hd Screw
32	424-03-388-0003	Index Housing, Incl:	111	424-03-132-0005	Bevel Scale
33	928-01-041-5310	Spring	112	424-03-388-0001	Locating Housing, Incl:
34	901-06-450-8210	#00 x 1/8" Rd Hd Screw	113	928-01-041-5310	Spring
35	902-01-010-1300	5/16-18 Hex Nut	114	931-01-021-4099	Knob
36	931-01-021-4099	Knob	115	904-02-020-1704	3/8" Lockwasher
37	905-01-010-6731	Roll Pin	116	901-03-010-0784	3/8-16 x 1 1/4" Soc Hd Screw
38	1087358	Clamp Assembly, Incl:	120	902-01-010-1282	1/2-13 Hex Nut
39	406-03-138-0005	Knob	121	904-01-010-1618	1/2" Flat Washer
40	424-03-016-0002	Rubber Bumper	122	424-04-054-0005	Guard Clamp
41	424-03-132-0007	Rip Scale	123	424-04-111-0010	Stud
42	901-02-010-0558	#8-32 x 1/4" Rd Hd Screw	124	904-07-010-5564	Fiber Washer
43	424-03-355-0011	Track Arm Assembly, Incl:	125	400-06-131-0014	Motor - 3HP, 1PH, 230V (For 14" & 16" Models Only)
44	901-03-010-0775	3/8-16 x 1" Soc Hd Screw	125	400-06-131-0016	Motor - 5HP, 1PH, 230V (For 18" Models Only)
45	424-03-031-0011	Track End Cover	125	400-06-131-0018	Motor - 5HP, 3PH, 200V (For 14", 16" & 18" Models Only)
46	905-02-010-7105	1/4 x 1 1/4" Groove Pin	125	400-06-131-0015	Motor - 5HP, 3PH, 230/460V (For 14" & 16" Models Only)-
47	904-02-020-1705	1/2" Lockwasher	125	400-06-131-0019	Motor - 5HP, 3PH, 575V (For 14", 16" & 18" Models Only)
48	901-03-010-3308	1/2-13 x 1 3/4" Soc Hd Screw	125	400-06-131-0017	Motor - 7 1/2HP, 3PH, 230/460V (For 18" Models Only)
49	424-00-752-0001	Warning Label	126	424-04-095-0001	Front Trunnion
50	424-03-108-0007	Rod	127	904-02-020-1705	1/2" Lockwasher
51	902-03-020-2982	Speed Nut	128	901-03-010-3308	1/2-13 x 3/4" Soc Hd Screw
52	901-02-010-0541	#10-24 x 3/4" Rd Hd Screw	129	901-03-010-0765	1/2-13 x 1 1/2" Soc Hd Screw
60	0906348	1-14 Hex Lock Nut	130	33-814	Arbor Collar (For 14" & 16" Models Only)
61	1085980	Yoke Pin	130	424-04-103-0004	Arbor Collar (For 18" Models Only)
62	424-04-111-0006	Eccentric Bearing Stud	131	33-179	14" Combination Blade
63	424-04-111-0005	Stationary Bearing Stud	131	33-183	16" Combination Blade
64	920-10-151-4919	Bearing	131	33-740	18" Combination Blade
65	901-02-010-0558	#8-32 x 1/4" Rd Hd Screw	132	424-04-360-0001	Arbor Nut, Incl:
66	951-01-021-3951	Pointer	133	901-03-010-8072	#6-32 x 3/4" Soc Hd Screw
67	424-04-327-0002	Rip Lock, Incl:	134	955-03-010-0047	Wrench
68	406-03-138-0005	Knob			
69	424-03-072-0004	Rip Lock Hold Down Strip			
70	424-03-388-0001	Locating Housing, Incl:			
71	931-01-021-4099	Knob			
72	928-01-041-5310	Spring			

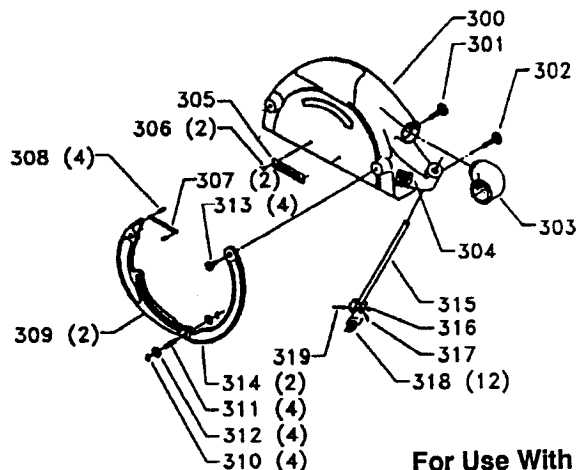


REPLACEMENT PARTS

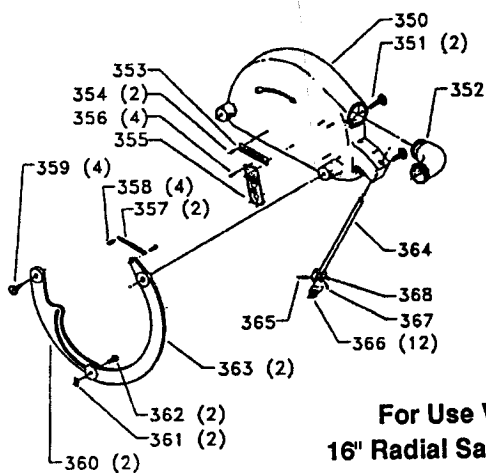
REF			REF		
<u>NO</u>	<u>PART NUMBER</u>	<u>DESCRIPTION</u>	<u>NO</u>	<u>PART NUMBER</u>	<u>DESCRIPTION</u>
200	901-03-040-8015	1/4-20 x 1/2" Button Hd Screw	247	438-01-011-0020	Insulator
201	424-04-052-0001	Gib	248	424-04-004-0008	Reinforcing Strip
202	424-04-305-0017	Column Base Assembly, Incl:	249	424-04-305-0016	Frame Assembly
203	424-04-111-0002	Spreader Stud	250	902-01-040-1026	3/8-16 Hex Nut
204	904-02-020-1704	3/8" Lockwasher	251	902-01-040-1005	3/8-16 Hex Jam Nut
205	902-01-040-1026	3/8-16 Hex Nut	252	901-04-020-0324	3/8-16 x 2" Square Hd Screw
206	901-04-150-0297	5/16-24 x 1 3/4" Hex Soc Set Screw	253	901-01-060-0642	3/8-16 x 1" Hex Hd Screw
207	902-01-010-1206	5/16-24 Hex Nut	254	904-01-010-1615	3/8" Flat Washer
208	438-01-004-0052	Cord Clamp	255	904-02-020-1704	3/8" Lockwasher
209	901-03-010-3318	#10-32 x 3/8" Soc Hd Screw	256	902-01-010-5900	3/8-16 Hex Nut
210	901-01-060-3117	1/2-13 x 2" Hex Hd Screw	257	424-04-066-0003	Base Leg
211	904-02-020-1705	1/2" Lockwasher	258	905-01-010-2730	3/16 x 1 1/2" Roll Pin
212	424-04-083-0001	Shim Washer (As Required)	259	424-03-112-0002	Elevating Screw
213	424-03-016-0003	Bumper	260	927-01-010-2607	#3 Woodruff Key
214	905-02-010-7105	1/4 x 1 1/4" Groove Pin	261	904-01-030-1649	Bearing Washer
220	901-01-060-0646	3/8-16 x 2" Hex Hd Screw	262	920-52-011-3924	Thrust Bearing
221	901-01-060-0648	3/8-16 x 1 1/4" Hex Hd Screw	263	920-24-061-3962	Needle Bearing
222	424-04-005-0002	Table Base	264	424-02-351-0001	Gear Set
223	904-02-020-1704	3/8" Lockwasher	265	902-01-150-1011	Bearing Lock Nut
224	902-01-040-1026	3/8-16 Hex Nut	266	905-05-040-2106	1/8 x 1 1/4" Cotter Pin
225	904-01-033-1451	Special Washer	267	424-03-013-0003	Column Housing
226	424-03-014-0017	Fence Clamp Bracket	268	904-02-020-1704	3/8" Lockwasher
227	424-03-327-0003	Fence Clamp Nut	269	901-01-060-0648	3/8-16 x 1 1/4" Hex Hd Screw
228	905-05-040-2101	Cotter Pin	270	920-24-061-3962	Needle Bearing
229	424-04-112-0015	Fence Clamp Screw	271	920-76-021-3909	Thrust Bearing
230	961-03-013-1452	Rubber Grommet	272	905-02-010-5030	3/16 x 3/4" Groove Pin
231	406-03-138-0008	Knob	273	424-02-351-0001	Gear Set
232	901-01-060-0611	1/4-20 x 1/2" Hex Hd Screw	280	424-04-391-0006	Table Board Set
233	904-02-020-1702	1/4" Lockwasher	281	901-02-010-0511	1/4-20 x 7/8" Rd Hd Screw
234	424-02-014-0025	LVC Box Mounting Bracket	282	904-01-010-1614	1/4" Flat Washer
235	902-01-120-1034	1/4-20 Hex Nut	283	901-02-010-7502	3/8-16 x 1" Rd Hd Screw
236	426-13-754-0001	Nameplate	284	904-01-010-1615	3/8" Flat Washer
237	902-01-040-1026	3/8-16 Hex Hd Screw	285	424-03-004-0014	Extension Bar
238	1086622	Elevating Shaft	286	424-04-004-0004	Clamp Strip
239	424-04-017-0001	Elevating Shaft Bearing	290	424-03-117-0001	Roller Head Wrench
240	901-02-030-0417	3/8-16 x 1" Flat Hd Screw	291	955-01-030-1488	Arbor Wrench
241	905-02-010-5045	3/16 x 1 1/2" Groove Pin	292	955-02-100-1492	Arbor Wrench
242	424-03-333-0001	Crank Assembly			
245	901-01-060-0640	3/8-16 x 3/4" Hex Hd Screw			
			*	NOT SHOWN ASSEMBLED	

REPLACEMENT PARTS

REF NO	PART NUMBER	DESCRIPTION
300	424-03-354-0011	14" Blade Guard Assembly, Incl:
301	901-04-260-1505	1/4-20 x 1/2" Thumb Screw
302	901-04-260-1527	5/16-18 x 3/4" Thumb Screw
303	424-03-036-0001	Dust Spout
304	424-02-752-0050	Caution Plate
305	406-03-137-0004	Nameplate
306	901-06-450-2250	#4 x 3/16" Drive Screw
307	928-02-231-3394	Spring
308	901-09-011-2456	Stud
309	424-03-054-0002	Rear Leaf
310	904-15-062-0269	Snap Ring
311	424-08-071-0001	Pin
312	904-01-010-1614	1/4" Flat Washer
313	901-09-011-2455	Stud
314	424-04-054-0001	Front Leaf
315	424-04-408-0002	Anti-Kick Back, Incl:
316	424-04-071-0013	Pin
317	904-15-062-0269	Snap Ring
318	424-04-047-0002	Finger
319	905-02-010-2489	1/8 x 7/8" Groove Pin



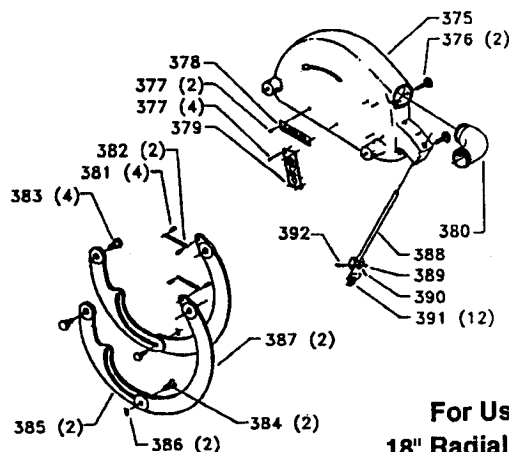
For Use With
14" Radial Saws Only



For Use With
16" Radial Saws Only

REF NO	PART NUMBER	DESCRIPTION
350	424-03-354-0012	16" Blade Guard Assembly, Incl:
351	901-04-260-1528	5/16-18 x 1" Thumb Screw
352	424-04-036-0001	Dust Spout
353	406-03-137-0004	Nameplate
354	901-06-450-2250	#4 x 3/16" Drive Screw
355	960-04-010-1887	Caution Plate
356	901-06-450-2250	#4 x 3/16" Drive Screw
357	928-02-231-3394	Spring
358	901-09-011-2456	Stud
359	901-09-011-2455	Stud
360	424-04-054-0011	Rear Leaf
361	904-15-210-7403	Retainer
362	424-01-111-0003	Stud
363	424-04-054-0010	Front Leaf
364	424-04-408-0002	Anti-Kick Back, Incl:
365	424-04-071-0013	Pin
366	424-04-047-0002	Finger
367	905-02-010-2489	1/8 x 7/8" Groove Pin
368	904-16-062-0269	Snap Ring

REF NO	PART NUMBER	DESCRIPTION
375	424-04-354-0015	18" Blade Guard Assembly, Incl:
376	901-04-260-1528	5/16-18 x 1" Thumb Screw
377	901-06-450-2250	#4 x 3/16" Drive Screw
378	406-03-137-0004	Nameplate
379	960-04-010-1887	Caution Plate
380	424-04-036-0001	Dust Spout
381	424-04-111-0009	Stud
382	928-02-231-3394	Spring
383	424-04-111-0007	Stud
384	424-04-111-0008	Stud
385	424-04-054-0018	Front Leaf
386	904-15-210-7403	Retainer
387	424-04-054-0017	Rear Leaf
388	1086605	Anti-Kick Back, Incl:
389	904-15-062-0269	Snap Ring
390	905-02-010-2489	1/8 x 7/8" Groove Pin
391	424-04-047-0002	Finger
392	424-04-071-0013	Pin



For Use With
18" Radial Saws Only

This parts list is provided to aid in obtaining service parts. Copies of the instruction and maintenance literature can be obtained through the Delta Technical Publications Department or through your local service outlet.