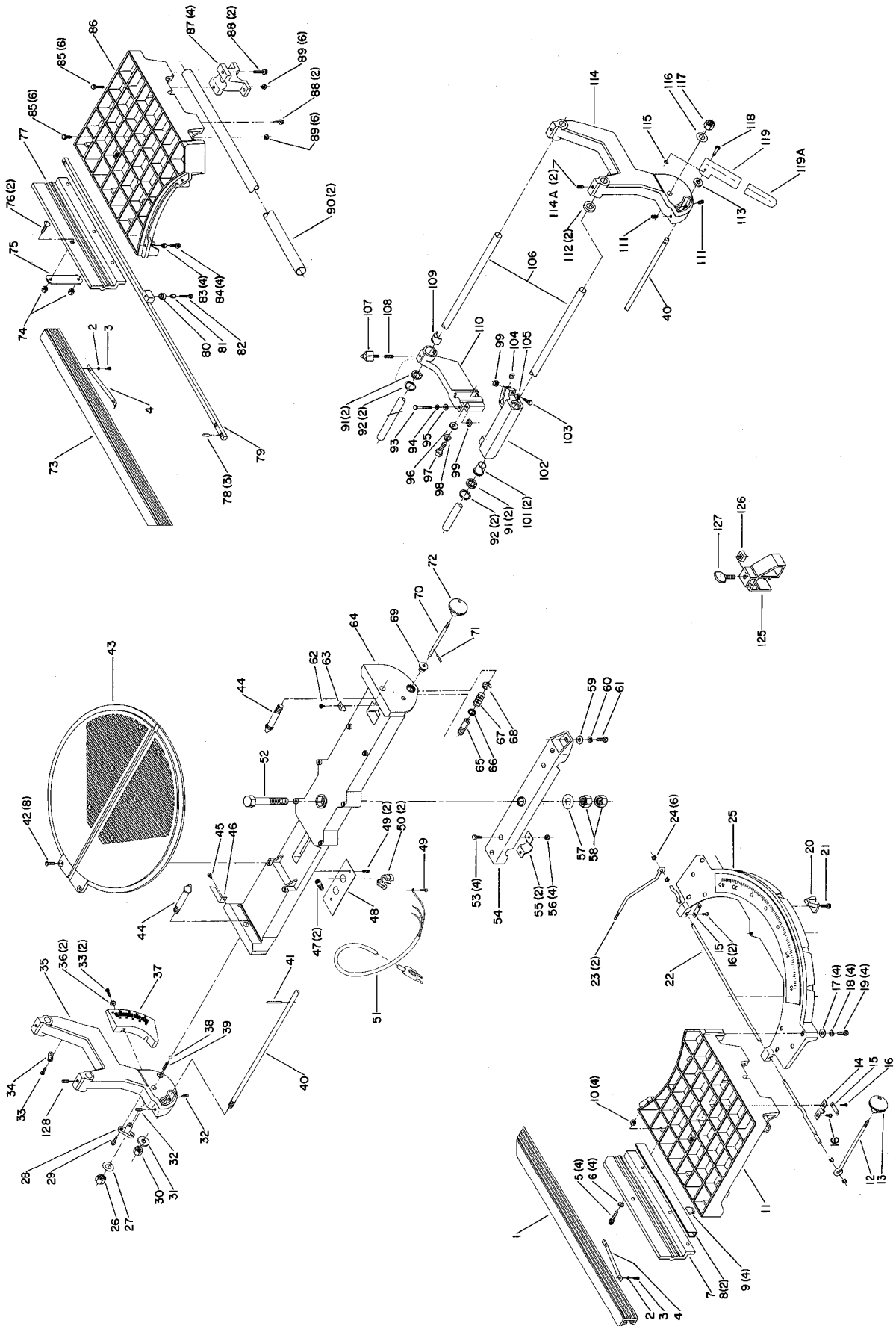


33-150 SAWBUCK FRAME & TRIM SAW

(For Units w/Serial No 87E69387)



REPLACEMENT PARTS

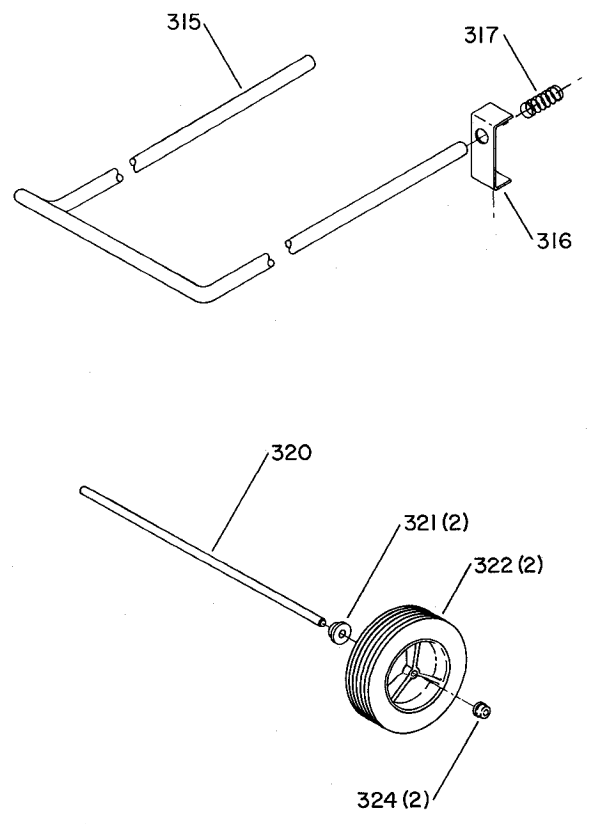
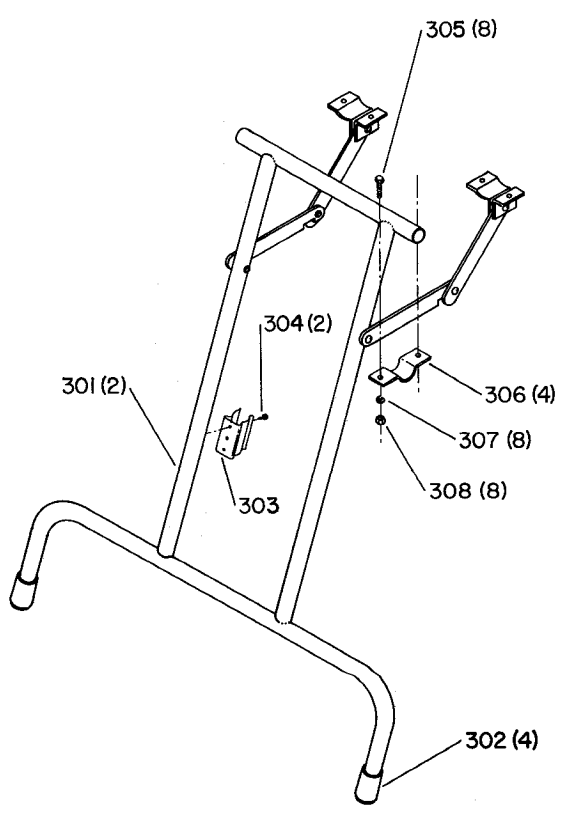
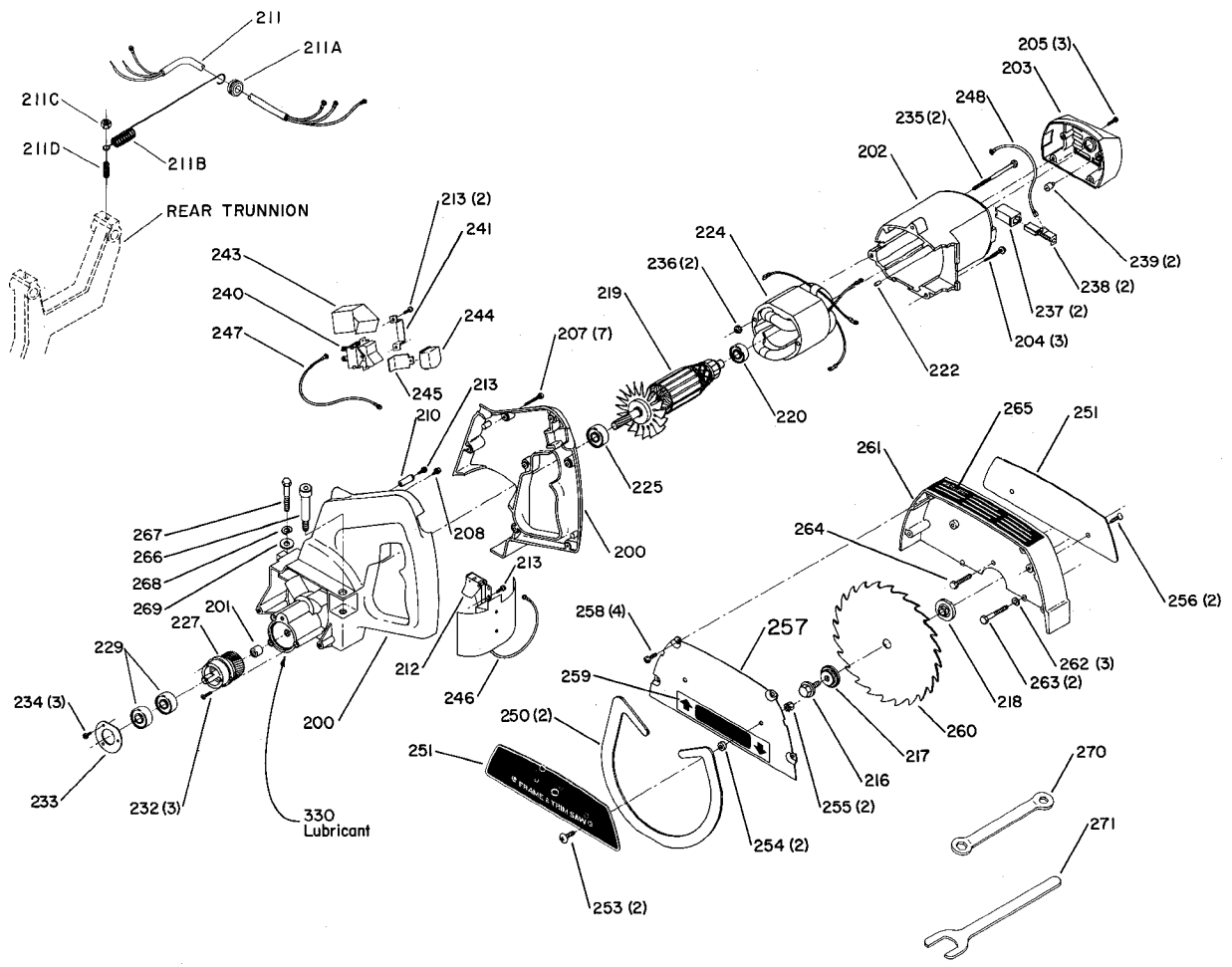
REF NO.	PART NUMBER	DESCRIPTION	REF NO.	PART NUMBER	DESCRIPTION
1	422-25-043-0005	Fence - Left	66	904-01-033-1306	Washer
2	904-02-010-1726	#10 Lockwasher	67	422-25-122-0005	Spring
3	901-06-121-7383	#10-24 x 3/8" Rd Hd Screw	68	904-15-063-1301	Bowed E-Ring
4	422-25-067-0005	Fence Link Lever	69	422-25-017-0003	Miter Index Bushing
5	901-03-010-0750	5/16-18 x 11 Soc Hd Screw	70	422-25-071-0008	Plunger Pin
6	904-02-010-1703	5/16" Lockwasher	71	905-01-011-9327	3/32 x 3/4" Roll Pin
7	422-25-089-0004	Fence Support - Left	72	422-25-060-0006	Knob
8	422-25-055-0004	Guide	73	422-25-043-0004	Fence - Right
9	422-25-079-0011	Tinnerman Nut	74	1087640	5/16-18 Hex Lock Nut
10	902-01-010-1300	5/16-18 Hex Nut	75	422-25-067-0002	Lever Fence Lock
11	422-25-109-0004	Table Extension - Left	76	901-11-083-1313	5/16-18 x 1" Step Bolt
12	422-25-111-0003	5/16" Dia Eye Bolt	77	422-25-089-0003	Fence Support - Right
13	422-25-060-0006	Knob	78	905-01-010-2729	3/16 x 1/2" Roll Pin
14	422-25-072-0008	Clamp	79	422-25-435-0001	Link Rod
15	422-17-072-0001	Plate	80	422-25-017-0006	Roller
16	901-06-121-7381	#10-24 x 1/2" Pan Hd Screw	81	418-09-104-0003	Spacer
17	904-01-010-1604	5/16" Flat Washer	82	901-01-060-0626	1/4-20 x 3/4" Hex Hd Screw
18	904-02-010-1703	5/16" Lockwasher	83	902-01-120-1034	1/4-20 Hex Nut
19	901-01-060-0607	5/16-18 x 3/4" Hex Hd Screw	84	901-09-073-1304	1/4-20 x 3/4" Nylon Hex Hd Screw
20	422-25-063-0001	Insert	85	901-01-060-0623	1/4-20 x 1" Hex Hd Screw
21	901-05-943-1303	1/4-20 x 1" Hex Washer Hd Screw	86	422-25-109-0005	Table Extension - Right
22	422-25-108-0004	Clamp Rod	87	422-25-014-0004	Bracket
23	422-25-111-0004	5/16" Dia Eye Bolt	88	901-05-943-1303	1/4-20 x 1" Hex Washer Hd Screw
24	422-25-079-0016	5/16" Radial Grip Ring	89	902-01-293-1240	1/4-20 Keps Nut
25	422-25-072-0009	Miter Index Plate	90	422-25-089-0002	Table Support Tube
26	902-01-283-1393	Lock Nut	91	422-25-113-0001	Wiper (See Service Note A)
27	422-25-104-0010	Nylon Washer	92	422-25-079-0020	Internal Retaining Ring (See Service Note A)
28	422-25-012-0001	Housing			
29	901-05-943-1303	1/4-20 x 1" Hex Washer Hd Screw	93	901-01-060-3124	1/4-20 x 1 1/2" Hex Hd Screw
30	902-01-281-7295	1/2-20 Lock Nut	94	904-02-020-1702	1/4" Lockwasher
31	422-25-104-0007	Special Washer	95	904-01-010-1603	1/4" Flat Washer
32	901-04-193-1314	5/16-18 Patch Lock Screw	96	904-01-010-1604	5/16" Flat Washer
33	901-06-121-7381	#10-24 x 1/2" Pan Hd Screw	97	901-01-060-0607	5/16-18 x 3/4" Hex Hd Screw
34	438-01-004-0074	Cord Clamp	98	904-02-010-1703	5/16" Lockwasher
35	422-25-095-0002	Trunnion - Rear	99	902-02-010-1315	1/4-20 Square Nut
36	904-01-010-1603	1/4" Flat Washer	101	422-25-017-0002	Bushing (See Service Note A)
37	422-25-072-0007	Bevel Scale	102	422-25-055-0002	Guide Scale
38	422-25-088-0001	Plastic Ball	103	901-01-060-0623	1/4-20 x 1" Hex Hd Screw
39	928-01-041-8851	Spring	104	904-01-010-1603	1/4" Flat Washer
40	422-25-108-0003	Bevel Clamp Rod	105	904-02-020-1702	1/4" Lockwasher
41	905-01-010-2710	3/16 x 7/8" Roll Pin	106	422-25-108-0002	Guide Rail
42	901-03-030-8013	1/4-20 x 3/4" Flat Hd Screw	107	422-25-068-0001	Lock Knob
43	422-25-091-0001	Table	108	422-25-122-0004	Spring
44	422-25-071-0011	Pointed Head Pivot Pin	109	422-25-084-0001	Slide (See Service Note A)
45	901-05-163-1126	#8-32 x 5/16" Pan Hd Screw	110	422-25-102-0001	Carriage
46	422-25-075-0003	Bevel Pointer	111	901-04-193-1314	5/16-18 Patch Lock Screw
47	438-01-007-0009	Wire Nut	112	904-07-043-1305	Rubber Washer
48	422-25-031-0003	Cover	113	422-25-104-0007	Special Washer
49	901-06-121-7381	#10-24 x 1/2" Pan Hd Screw	114	422-25-095-0001	Trunnion - Front
50	438-01-004-0069	Bushing	114A	901-04-170-0213	5/16-18 x 1/2" Hex Soc Set Screw
51	438-01-302-0571	Power Cord	115	422-25-079-0019	1/4" Push Nut
52	422-25-071-0010	Center Pivot Pin	116	422-25-104-0010	Nylon Washer
53	901-01-060-0623	1/4-20 x 1" Hex Hd Screw	117	902-01-283-1393	Lock Nut
54	422-25-090-0001	Pivot Bracket	118	903-01-013-1358	1/4 x 3/4" Rivet
55	422-25-027-0001	Clamp	119	422-25-067-0004	Bevel Clamp Lever
56	902-01-293-1240	1/4-20 Keps Nut	119A	961-02-033-1226	Sleeve
57	904-07-010-5569	Fiber Washer	**	422-25-753-0002	Lube Decal
58	902-01-020-9101	3/4-16 Hex Nut	125	33-153	Stop Assembly, Incl:
59	904-01-010-1604	5/16" Flat Washer	126	902-02-040-1303	5/16-18 Square Nut
60	904-02-010-1703	5/16" Lockwasher	127	901-04-260-1527	5/16-18 x 3/4" Thumb Screw
61	901-01-060-0607	5/16-18 x 3/4" Hex Hd Screw	128	901-04-170-0213	5/16-18 x 1/2" Hex Soc Set Screw
62	901-05-163-1126	#8-32 x 5/16" Pan Hd Screw			
63	422-25-075-0002	Miter Pointer			
64	422-25-089-0001	Support Arm			
65	422-25-074-0001	Miter Clamp Plug	**	422-25-408-0003	Stainless Steel Rail

NOT INCLUDED WITH BASIC MACHINE

** NOT SHOWN

SERVICE NOTES:

A - A service kit consisting of four (4) wipers (Ref No 91), four (4) retainers (Ref No 92), two (2) bushings (Ref No 101) and two (2) slides (Ref No 109) is available under Part No 422-25-628-0009. See ST-175 for additional information.



REPLACEMENT PARTS

REF NO.	PART NUMBER	DESCRIPTION	DESCRIPTION	REF NO.	PART NUMBER	DESCRIPTION
* 200	422-25-131-0001	Motor Assembly, Const Of:	Motor Assembly, Const Of:	254	422-17-104-0002	Spacer
201	422-25-331-0001	Gear Hsg w/Handle & Cover, Incl:	Gear Hsg w/Handle & Cover, Incl:	255	902-01-293-1240	1/4-20 Keps Nut
202	920-23-013-1347	Inner Jackshaft Housing	Inner Jackshaft Housing	256	901-02-321-7630	#10-32 x 1/2" Flat Hd Screw
203	422-25-031-0001	Motor Housing	Motor Housing	257	422-25-054-0003	Blade Guard Plate
204	400-08-020-0002	End Cap	End Cap	258	901-02-453-1123	#10-32 x 1/2" Pan Hd Screw
205	901-05-993-1344	Screw	Screw	259	422-25-754-0005	Directional Plate
207	400-08-112-0021	Screw	Screw	33-157	Blade	
208	901-05-183-1346	Ground Screw	Ground Screw	422-25-054-0004	Blade Guard Casting	
210	438-01-004-0080	Cord Clamp	Cord Clamp	1/4" Lockwasher	1/4-20 x 1 1/2" Hex Hd Screw	
211	438-01-302-0572	Power Cord, Incl: (Current Models Only)	Power Cord, Incl: (Current Models Only)	901-01-060-3124	1/4-20 x 3/4" Hex Hd Screw	
211A	438-01-011-0066	Grommet	Grommet	422-25-752-0011	Warning Label	
211B	422-25-122-0009	Spring	Spring	422-25-111-0002	Stud	
211C	902-01-010-1300	5/16-18 Hex Nut	5/16-18 Hex Nut	901-01-060-0649	5/16-18 x 1" Hex Hd Screw	
211D	901-04-190-0212	5/16-18 x 3/4" Hex Soc Set Screw	5/16-18 x 3/4" Hex Soc Set Screw	904-02-010-1703	5/16" Lockwasher	
212	438-01-628-0002	Switch	Switch	904-01-010-1604	5/16" Flat Washer	
213	901-06-121-7381	Screw	Screw	422-25-101-0001	Wrench	
216	422-25-112-0001	Blade Bolt	Blade Bolt	422-25-366-0002	Wrench	
217	422-25-103-0002	Blade Flange	Blade Flange	Leg Assembly, Incl:		
218	422-25-103-0001	Blade Holder	Blade Holder	422-25-048-0001	Rubber Foot	
219	438-02-335-0025	Armature (115V)	Armature (115V)	422-25-027-0003	Spring Clip	
220	400-08-139-0006	Commutator End Bearing	Commutator End Bearing	901-06-143-1327	#6-32 x 5/16" Phil Hd Screw	
222	400-08-074-0002	Bearing Plug	Bearing Plug	1/4-20 x 1 Hex Hd Screw		
224	438-02-336-0025	Field (115V)	Field (115V)	Clamp Strap		
225	400-08-139-0008	Fan End Bearing	Fan End Bearing	1/4" Lockwasher		
227	422-25-351-0001	Jackshaft Assembly, Incl:	Jackshaft Assembly, Incl:	1/4-20 Hex Nut		
229	400-08-139-0008	Outer Jackshaft Bearing	Outer Jackshaft Bearing	Extension Wing		
232	901-05-743-1218	Screw	Screw	Lock		
233	422-25-079-0018	Retainer	Retainer	Spring		
234	901-05-163-1348	Screw	Screw	Rod		
235	400-08-112-0006	Screw	Screw	422-25-122-0007		
236	902-01-293-1345	Nut	Nut	422-25-108-0005		
237	438-02-041-0001	Brush Holder	Brush Holder	422-25-017-0005		
238	438-02-007-0012	Brush & Spring	Brush & Spring	422-25-100-0002		
239	438-01-011-0059	Button	Button	422-25-020-0002		
240	438-01-628-0003	Braking Switch	Braking Switch	NOT INCLUDED WITH BASIC MACHINE		
241	422-25-079-0017	Switch Retainer	Switch Retainer	999-02-023-1349		
243	438-01-011-0058	Insulator	Insulator	Gear Lube		
244	422-17-020-0001	Button	Button	*		
245	422-25-067-0006	Lever	Lever	NOT SHOWN ASSEMBLED		
246	438-01-320-0230	Electrical Lead (Black)	Electrical Lead (Black)	This parts list is provided to aid in obtaining service parts.		
247	438-01-320-0232	Electrical Lead (Yellow)	Electrical Lead (Yellow)	Copies of the instruction and maintenance literature can be obtained		
248	438-01-320-0231	Electrical Lead (Blue)	Electrical Lead (Blue)	through the Delta Technical Publications Department or through your		
250	422-25-054-0002	Leaf Guard	Leaf Guard	local service outlet.		
251	422-25-754-0006	Leaf Guard Plate w/Nameplate	Leaf Guard Plate w/Nameplate			
253	901-03-040-8015	1/4-20 x 1/2" Button Hd Screw	1/4-20 x 1/2" Button Hd Screw			

This parts list is provided to aid in obtaining service parts.
 Copies of the instruction and maintenance literature can be obtained
 through the Delta Technical Publications Department or through your
 local service outlet.