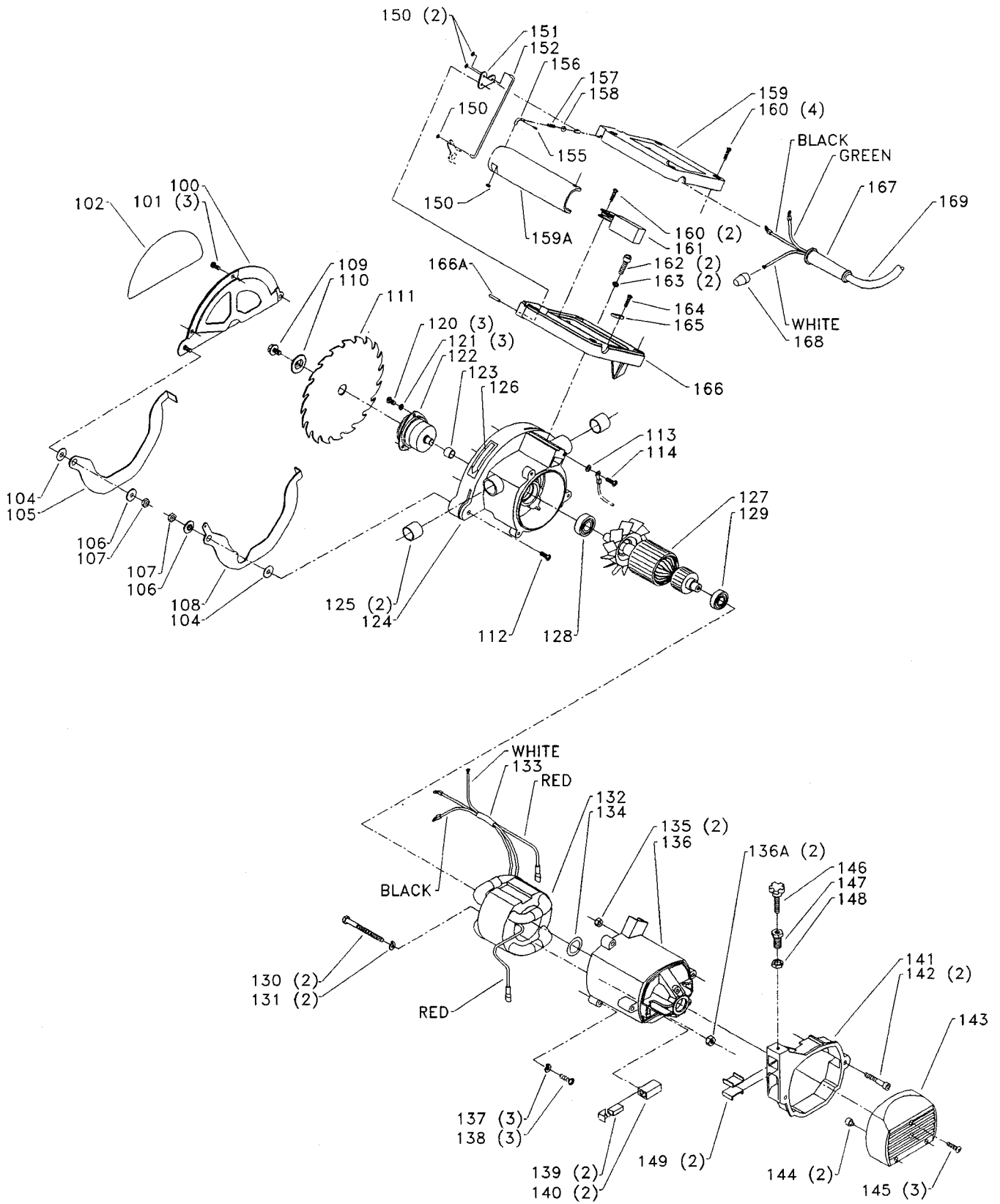


REPLACEMENT PARTS

<u>REF. NO.</u>	<u>PART NUMBER</u>	<u>DESCRIPTION</u>	<u>REF. NO.</u>	<u>PART NUMBER</u>	<u>DESCRIPTION</u>
1	1342867	KNOB	46	905-01-010-2704	1/8" X 3/4" SPRING PIN
2	1342927	NYLON WASHER	50	1342876	LEFT FENCE
3	1342926	3/8-16 LOCK NUT	50A	1349847	END CAP
4	1342928	NYLON WASHER	50B	1349846	END CAP
5	904-15-062-0137	EXT RET RING	51	1342878	LEFT SCALE
6	1342860	FRONT BEVEL GAGE	52	1342877	RIGHT FENCE
7	1342888	1/4-20 X 1/2" HEX SOC SET SCR	52A	1349845	END CAP
8	1342946	DECAL	52B	1349844	END CAP
9	901-03-010-3345	1/4-20 X 1" HEX SOC HD SCR	53	1342879	RIGHT SCALE
10	904-02-020-1702	1/4" LOCK WASHER	54	901-03-010-3345	1/4-20 X 1" HEX SOC HD SCR
11	904-01-031-5652	1/4" FLAT WASHER	55	904-02-020-1702	1/4" LOCK WASHER
12	1342886	FLAT WASHER	56	904-01-031-5652	1/4" FLAT WASHER
13	1342931	SHOULDER BOLT	57	1342910	STOP
14	1342868	BEVEL CLAMP BUSHING	58	1342902	1/4-20 THUMB SCR
15	1342887	3/4" FLAT WASHER	59	902-02-040-1306	1/4-20 SQUARE NUT
16	1342862	FRONT TRUNNION	60	901-02-010-0561	#10-32 X 3/8" ROUND HD SCR
17	901-02-010-7747	#04-40 X 3/8" ROUND HD SCR	61	1342925	DEFLECTOR
18	1342885	POINTER	62	1342908	TABLE
19	1342920	1/4-20 X 3/8" HEX SOC SET SCR	63	901-02-010-0561	#10-32 X 3/8" ROUND HD SCR
20	1342892	BUMPER	64	1342881	POINTER
21	1342882	BARRIER ROD	65	1342947	CLAMP HANDLE ASSY
22	1342864	MOTOR GUIDE ROD	66	1342918	RUBBER WASHER
23	1342865	TRACKING ROD	67	1342880	STEEL BALL
24	1342931	SHOULDER BOLT	68	1342905	SPRING
25	1342892	BUMPER	69	1342911	BASE
26	1342863	REAR TRUNNION	70	1340595	INST DECAL
27	1342920	1/4-20 X 3/8" HEX SOC SET SCR	71	1342919	RUBBER WASHER
28	1342887	3/4" FLAT WASHER	72	904-10-031-5381	WASHER
29	1342868	BEVEL CLAMP BUSHING	73	1342922	5/16-18 LOCK NUT
30	901-05-383-1398	#08-16 X 3/8" SCR	74	1342898	HANDLE
31	1342930	CLAMP	75	904-01-031-5652	1/4" FLAT WASHER
32	1342929	SUPPORT	76	904-02-020-1702	1/4" LOCK WASHER
33	1342886	FLAT WASHER	77	901-03-010-3309	1/4-20 X 5/8" HEX SOC HD SCR
34	901-02-010-0561	#10-32 X 3/8" ROUND HD SCR	78	1342903	SHOULDER BOLT
35	1342930	CLAMP	79	1342901	1/4-20 X 1" HEX HD SCR
36	1342861	REAR BEVEL GAGE	80	1342949	FOOT
37	1342888	1/4-20 X 1/2" HEX SOC SET SCR	81	904-01-031-5652	1/4" FLAT WASHER
38	1342926	3/8-16 LOCK NUT	82	904-02-020-1702	1/4" LOCK WASHER
39	1342928	RUBBER WASHER	83	901-03-010-3345	1/4-20 X 1" HEX SOC HD SCR
40	901-03-010-3345	1/4-20 X 1" HEX SOC HD SCR	84	1342894	FOOT
41	904-02-020-1702	1/4" LOCK WASHER	85	1340594	WARNING LABEL
42	904-01-031-5652	1/4" FLAT WASHER	86	1342906	1/2" BLADE WRENCH
43	904-15-062-0137	EXT RET RING	87	1342907	3/16" X 4-1/2" HEX WRENCH
44	1342891	BEVEL CLAMP	88	901-02-010-0553	#06-32 X 1/2" ROUND HD SCR
45	1342866	BEVEL CLAMP ROD	89	1342909	CLAMP

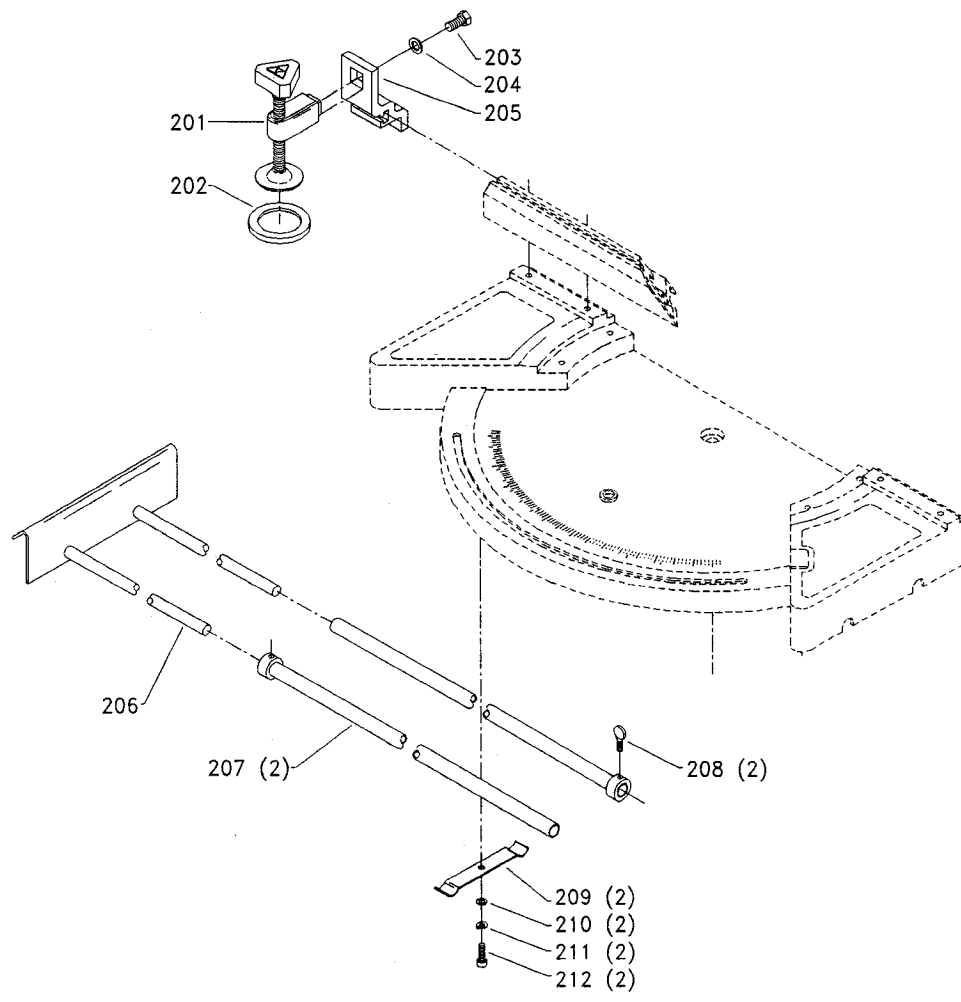


REPLACEMENT PARTS

<u>REF NO.</u>	<u>PART NUMBER</u>	<u>DESCRIPTION</u>	<u>REF NO.</u>	<u>PART NUMBER</u>	<u>DESCRIPTION</u>
100	1342871	UPPER GUARD ASSY	138	1310006	M5 X 20MM ROUND HD SCR
101	1345415	SCR	139	1342955	BRUSH
102	1340596	DECAL	140	1343270	BRUSH HOUSING
104	1342873	NYLON WASHER	141	1342869	MOTOR SUPPORT
105	1342872	LOWER LEFT GUARD	142	901-03-013-1069	1/4-20 X 1 1/2" HEX SOC HD SCR
106	1342874	SUPPORT WASHER	143	1342940	END CAP
107	1342932	1/4-20 LOCK NUT	144	1343271	PAD
108	1342875	LOWER RIGHT GUARD	145	1341235	(DIN 84) M4 X 12MM CHEESE HD SCR
109	1342939	ARBOR SCR	146	1345412	KNOB
110	1342934	BLADE FLANGE	147	1342956	STUD
111	OPTIONAL	BLADE (SEE NOTE A)	148	902-01-010-1207	3/8-24 HEX NUT
112	901-03-010-3309	1/4-20 X 5/8" HEX SOC HD SCR	149	422-32-139-0002	BEARING
113	1310210	(DIN 6797A) M4.3 EXT TOOTH WASHER	*	1345414	LINK ASSY, CONST OF;
114	1340490	(DIN 84) M4 X 8MM CHEESE HD SCR	150	1342957	M3 PUSH NUT
*	1342945	MOTOR ASSY, CONST OF;	151	1342958	PLATE
120	1340490	(DIN 84) M4 X 8MM CHEESE HD SCR	152	1342959	LOWER LINKAGE
121	1243525	(DIN 7980) M4.1 LOCK WASHER	155	1345402	(DIN 1481) M1.6 X 6MM SPRING PIN
122	1342952	JACKSHAFT ASSY	156	1345403	LINKAGE
123	1343259	NEEDLE BEARING	157	1345404	SPRING
124	1342884	GEAR HOUSING	158	904-01-031-2912	FLAT WASHER
125	1342924	BEARING ASSY	159	1342936	HANDLE (TOP)
126	1342953	DIRECTION DECAL	159A	1345401	HANDLE
127	1342941	ARMATURE ASSY, INCL;	160	1342935	#08-18 X 5/8" SCR
128	400-08-139-0008	BALL BEARING	161	1345405	SWITCH
129	400-08-139-0011	BALL BEARING	162	901-03-010-3309	1/4-20 X 5/8" HEX SOC HD SCR
130	1341770	(DIN 85) M5 X 72MM PAN HD SCR	163	904-01-031-5652	1/4" FLAT WASHER
131	1320101	(DIN 6797A) M5.3 EXT TOOTH WASHER	164	1342935	#08-18 X 5/8" SCR
132	1342954	FIELD ASSY	165	1342938	CLAMP
133	1345411	SLEEVE	166	1342937	HANDLE (BOTTOM)
134	1343267	WAVE WASHER	166A	905-01-010-2704	1/8" X 3/4" SPRING PIN
135	1342932	1/4-20 LOCK NUT	167	1345406	STRAIN RELIEF
136	1342942	MOTOR HOUSING	168	438-01-007-0042	WIRE NUT
136A	1343504	(DIN 985) M5 LOCK NUT	169	1345407	CABLE ASSY
137	1343538	(DIN 7980) M5.1 LOCK WASHER			

* NOT SHOWN ASSEMBLED

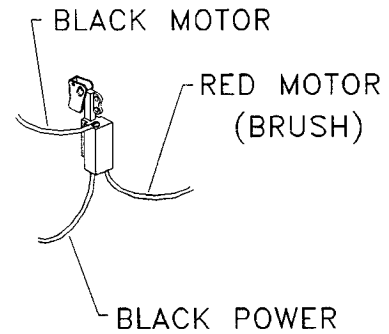
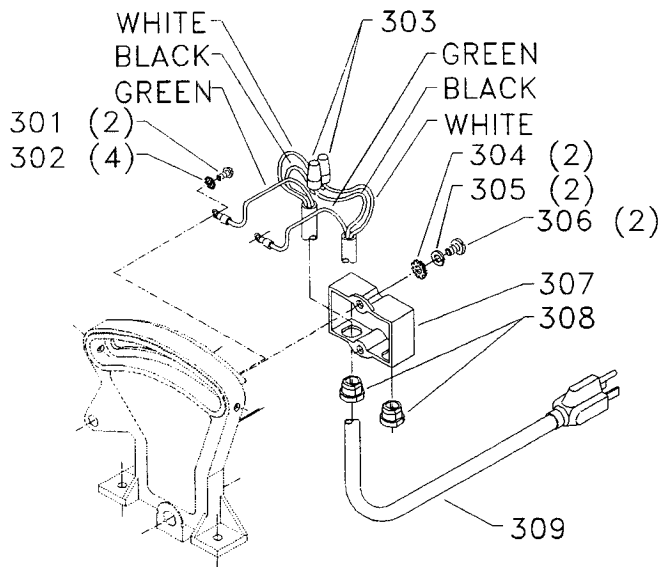
NOTE A:
 USE CROSS CUT BLADES ONLY! DO NOT USE BLADES
 DESIGNED FOR RIPPING, COMBINATION BLADES OR
 BLADES WITH EXCESSIVE HOOK ANGLES.



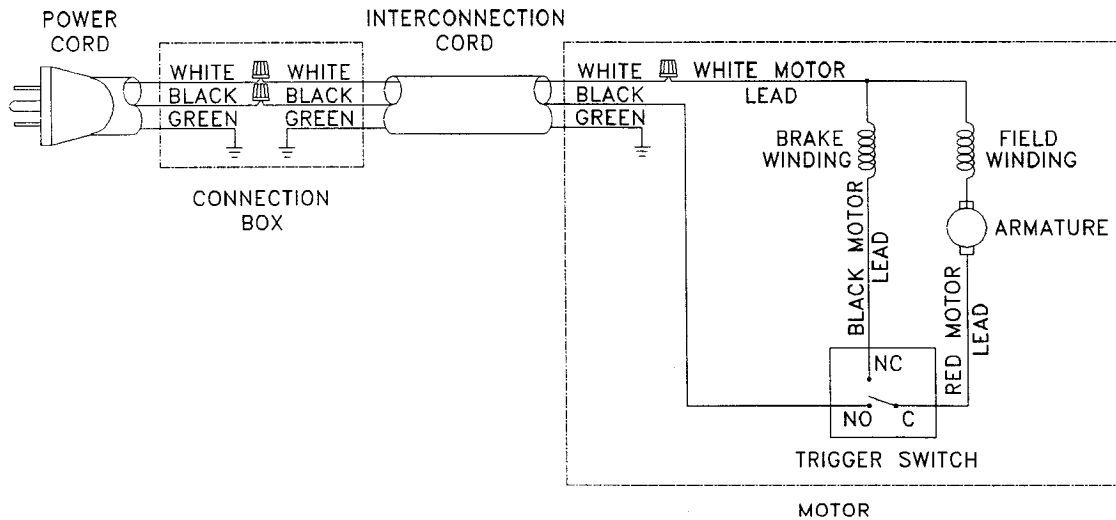
<u>REF. NO.</u>	<u>PART NUMBER</u>	<u>DESCRIPTION</u>
*	33-058	CLAMP ASSY, CONST OF;
201	1345410	SHAFT ASSY
202	1342944	RUBBER CAP
203	901-01-060-0607	5/16-18 X 3/4" HEX HD SCR
204	904-01-031-2936	FLAT WASHER
205	1342912	BRACKET
*	33-059	STOCK CLAMP ATTACHMENT, CONST OF;
206	1342896	EXTENSION FENCE
207	1342897	GUIDE TUBE
208	1342902	1/4-20 THUMB SCR
209	1342895	STRAP
210	904-01-031-5652	1/4" FLAT WASHER
211	904-02-020-1702	1/4" LOCK WASHER
212	901-04-140-9406	1/4-20 X 3/4" HEX SOC HD SCR

* NOT SHOWN ASSEMBLED

REPLACEMENT PARTS



REF. NO.	PART NUMBER	DESCRIPTION
301	901-02-010-0564	#06-32 X 3/8" ROUND HD SCR
302	904-03-030-1788	EXT TOOTH WASHER
303	438-01-007-0042	WIRE NUT
304	904-03-030-1757	1/4" EXT TOOTH WASHER
305	904-02-020-1702	1/4" LOCK WASHER
306	901-02-010-0514	1/4-20 X 3/8" ROUND HD SCR
307	1345409	BOX
308	438-01-004-0062	HEYCO BUSHING 5/8"
309	1345408	POWER CORD



STANDARD SAFETY EQUIPMENT

In order to promote tool safety, Delta International Machinery Corp. strictly enforces the policy of repairing or replacing any damaged or missing standard safety equipment on machines presented to Delta Authorized Service Centers for service/repair. Any product which is presented to a Delta Authorized Service Center for repairs which contains missing or damaged standard safety equipment will have that equipment repaired or replaced and the customer will be charged for any such service/repairs. Customers can avoid such charges only if the missing safety component is supplied to the service center at the time of repair.

This parts list is provided to aid in obtaining service parts. Copies of the instruction and maintenance literature can be obtained through the Delta Technical Publications Department or through your local service outlet.