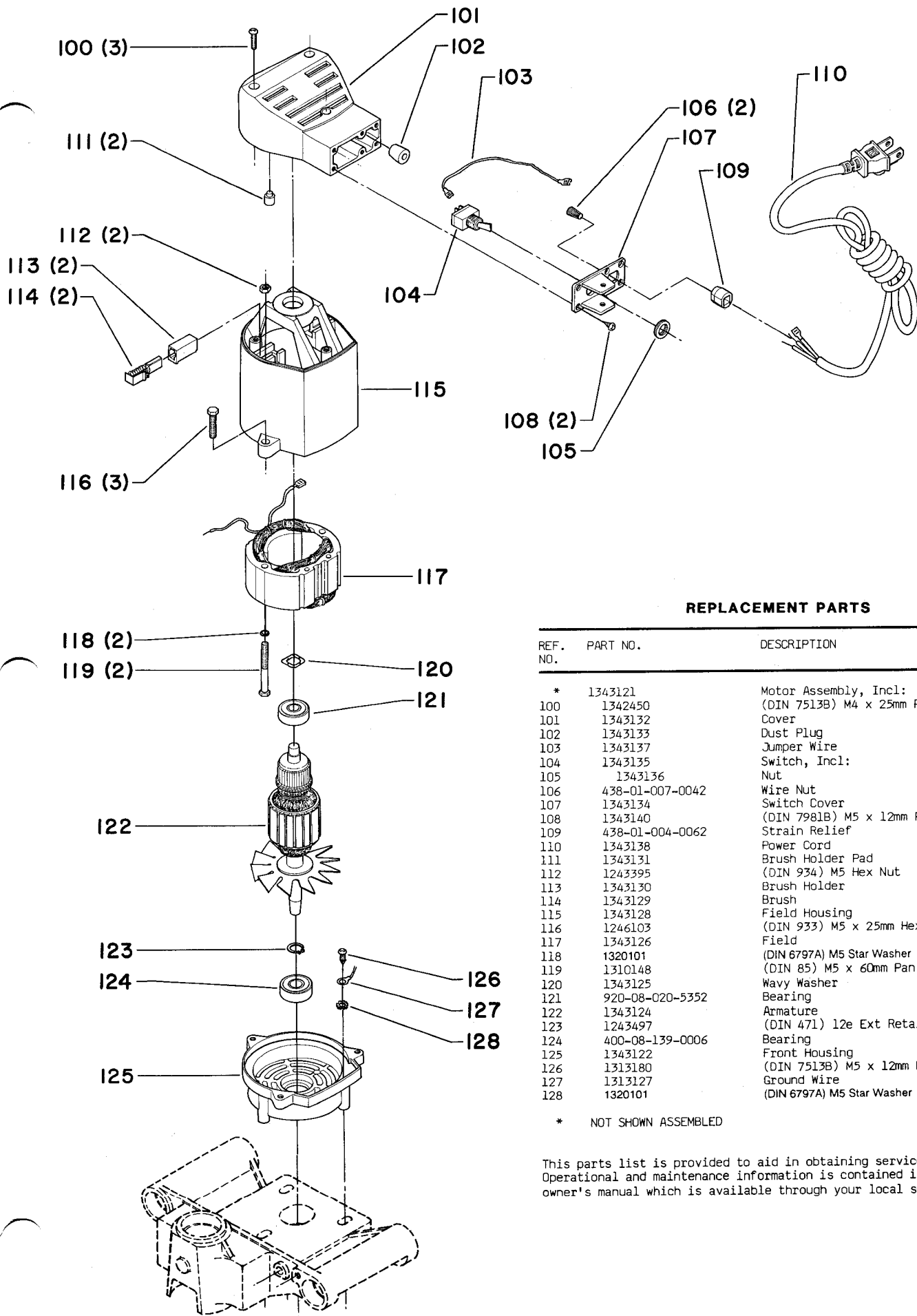


REPLACEMENT PARTS

REF. NO.	PART NO.	DESCRIPTION	REF. NO.	PART NO.	DESCRIPTION
*	1343061	Stock Stop Assembly, Const of:	47	1343101	M6 x 25mm Thin Hex Hd Screw
1	1343062	Hand Knob	48	1343095	Spring
2	1246140	(DIN 125) M6 Flat Washer	49	1343094	Turret Stop
3	1343063	Stock Stop Body	50	1343093	Collar
4	1343064	Guide Bar	51	1246140	(DIN 125) M6 Flat Washer
5	1246140	(DIN 125) M6 Flat Washer	52	1246004	(DIN 912) M6 x 16mm Soc Hd Screw
6	1343083	Lock Knob	53	1313361	(DIN 6787A) M6 Ext Tooth Lockwasher
*	1343065	Dual Position Work Clamp, Const of:	54	1313122	Bearing
7	1343066	Threaded Rod	55	1243407	(DIN 471) 17e Ext Retaining Ring
8	1343067	Support	56	32-121	Drive Belt
9	1343068	Left Block	57	1343080	Arbor Pulley (50T)
10	1343069	Right Block	58	1246140	(DIN 125) M6 Flat Washer
11	1343070	Bracket	59	1246004	(DIN 912) M6 x 16mm Soc Hd Screw
12	1343071	Clamp	60	1343105	Motor Pulley (22T)
13	1343072	Support Cover	61	1343097	Tube
14	1341235	(DIN 84) M4 x 12mm Cheese Hd Screw	62	1343098	O-Ring
15	1343073	Block	63	1343099	Spacer
16	1243497	(DIN 471) 12e Ext Retaining Ring	64	1343100	Special Bolt
17	1313352	Dust Elbow	*	1343110	Pedal Assembly, Incl:
18	1313371	Dust Spout	65	1343119	Pedal Safety Cover
19	1243336	(DIN 912) M6 x 20mm Soc Hd Screw	66	1343115	Foot Pedal
20	1343074	Blade Guard	67	1343116	Spring
20A	1343123	Warning Label	68	1343117	Special Washer
21	1246154	(DIN 84) M4 x 16mm Cheese Hd Screw	69	1343118	(DIN 472) 17i Int Retaining Ring
22	1343075	Lower Blade Guard	70	1343112	Special Hex Nut
23	1343082	Table Lock Knob	71	1343113	Special Screw
24	1243526	(DIN 125) M8 Flat Washer	72	1343114	Rubber Foot
25	1343081	Table	73	904-02-010-2051	1/4" Lockwasher
25A	1343142	Nameplate	74	1343120	Lock Knob
26	1341235	(DIN 84) M4 x 12mm Cheese Hd Screw	75	1343111	Foot Pedal Frame
27	904-01-010-1602	#10 Flat Washer	76	1343108	Cable, Incl:
28	1343085	Pointer	77	1343109	Spring
29	1343086	Special Screw	78	1243531	(DIN 936) M8 Hex Nut
30	1343087	Guide	79	1343104	Boot
31	1341235	(DIN 84) M4 x 12mm Cheese Hd Screw	80	1341235	(DIN 84) M4 x 12mm Cheese Hd Screw
32	1343089	Fence	81	1343103	Clamp
32A	1343141	Warning Label	82	1343088	(DIN 934) M10 Hex Nut
33	1343090	Scale	83	1343060	Auxiliary Tilting Table
34	1343092	Special Pin	84	1246140	(DIN 125) M6 Flat Washer
35	1343091	Special Nut	85	1343084	Lock Lever Assembly
36	1343106	Base	86	1343139	Wrench
37	1343107	Cable Clamp	*	32-104	Micro-Set Table Adjuster, Const. of:
38	1313180	(DIN 7513B) M5 x 12mm Pan Hd Screw	90	1310161	(DIN 85) M4 x 20mm Cheese Hd Screw
39	1343076	Blade Nut	91	1343146	Angle Bracket
40	1343077	Special Washer	92	1243569	(DIN 934) M4 Hex Nut
41	32-105	Blade	93	1246034	(DIN 933) M8 x 20mm Hex Hd Screw
42	1343078	Arbor	94	1243526	(DIN 125) Ø8mm Flat Washer
43	1343079	Spacer	95	1343145	Support Assembly
44	1313122	Bearing	96	1343144	Screw w/Knob
45	1343096	Sliding Table (Incl. Bushings)			
46	1343102	(DIN 439B) M6 Thin Hex Nut	*	NOT SHOWN ASSEMBLED	



REPLACEMENT PARTS

REF. NO.	PART NO.	DESCRIPTION
*	1343121	Motor Assembly, Incl:
100	1342450	(DIN 7513B) M4 x 25mm Pan Hd Screw
101	1343132	Cover
102	1343133	Dust Plug
103	1343137	Jumper Wire
104	1343135	Switch, Incl:
105	1343136	Nut
106	438-01-007-0042	Wire Nut
107	1343134	Switch Cover
108	1343140	(DIN 7981B) M5 x 12mm Pan Hd Screw
109	438-01-004-0062	Strain Relief
110	1343138	Power Cord
111	1343131	Brush Holder Pad
112	1243395	(DIN 934) M5 Hex Nut
113	1343130	Brush Holder
114	1343129	Brush
115	1343128	Field Housing
116	1246103	(DIN 933) M5 x 25mm Hex Hd Screw
117	1343126	Field
118	1320101	(DIN 6797A) M5 Star Washer
119	1310148	(DIN 85) M5 x 60mm Pan Hd Screw
120	1343125	Wavy Washer
121	920-08-020-5352	Bearing
122	1343124	Armature
123	1243497	(DIN 471) 12e Ext Retaining Ring
124	400-08-139-0006	Bearing
125	1343122	Front Housing
126	1313180	(DIN 7513B) M5 x 12mm Pan Hd Screw
127	1313127	Ground Wire
128	1320101	(DIN 6797A) M5 Star Washer

* NOT SHOWN ASSEMBLED

This parts list is provided to aid in obtaining service parts. Operational and maintenance information is contained in a separate owner's manual which is available through your local service outlet.