

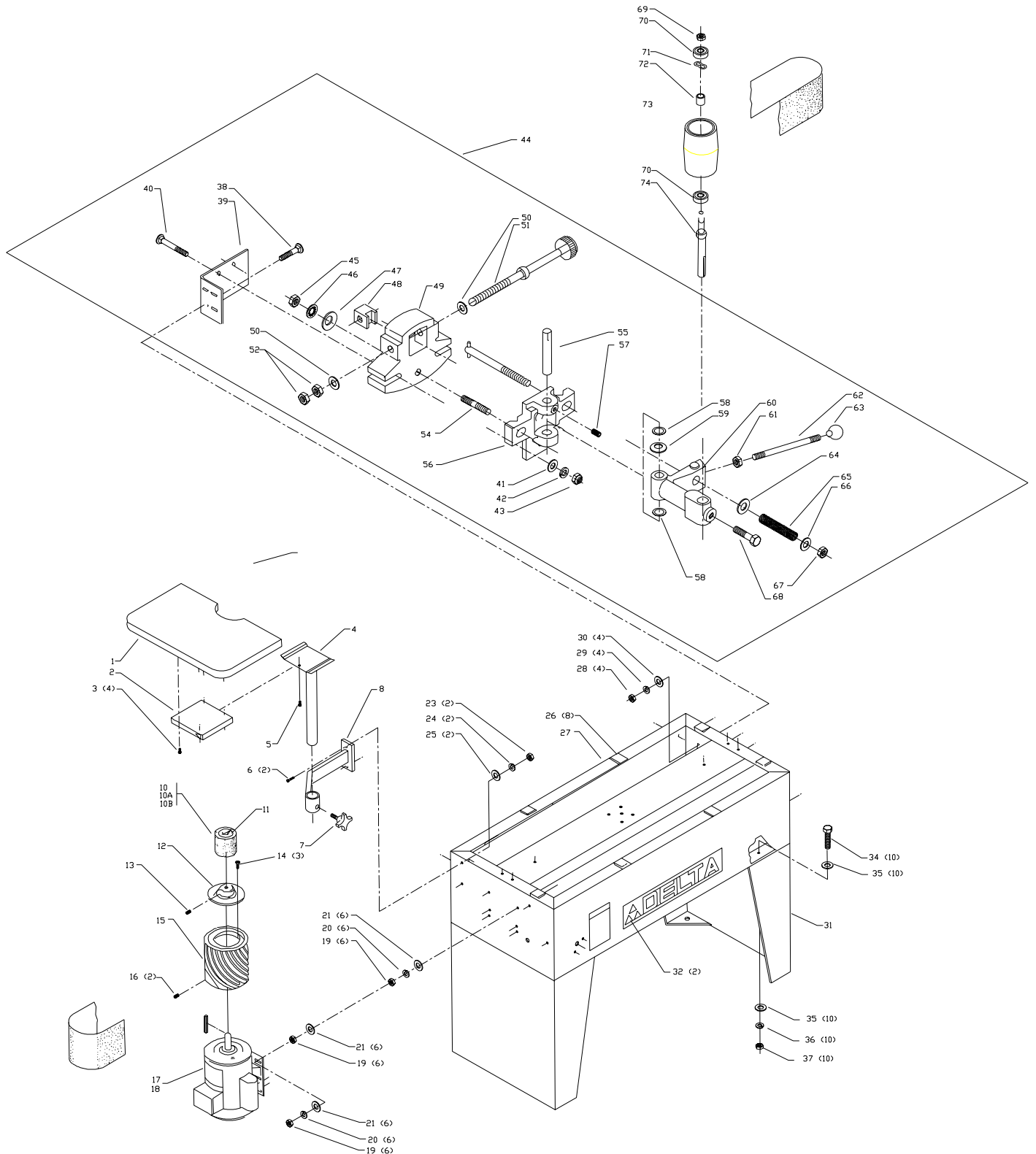


31-390 & 31-391 6" EDGE SANDER (FOR Units W/Serial No 92d24614 & Higher)

AFM-13-1

PART NO. 406-11-651-0007

Revised: 2/25/02

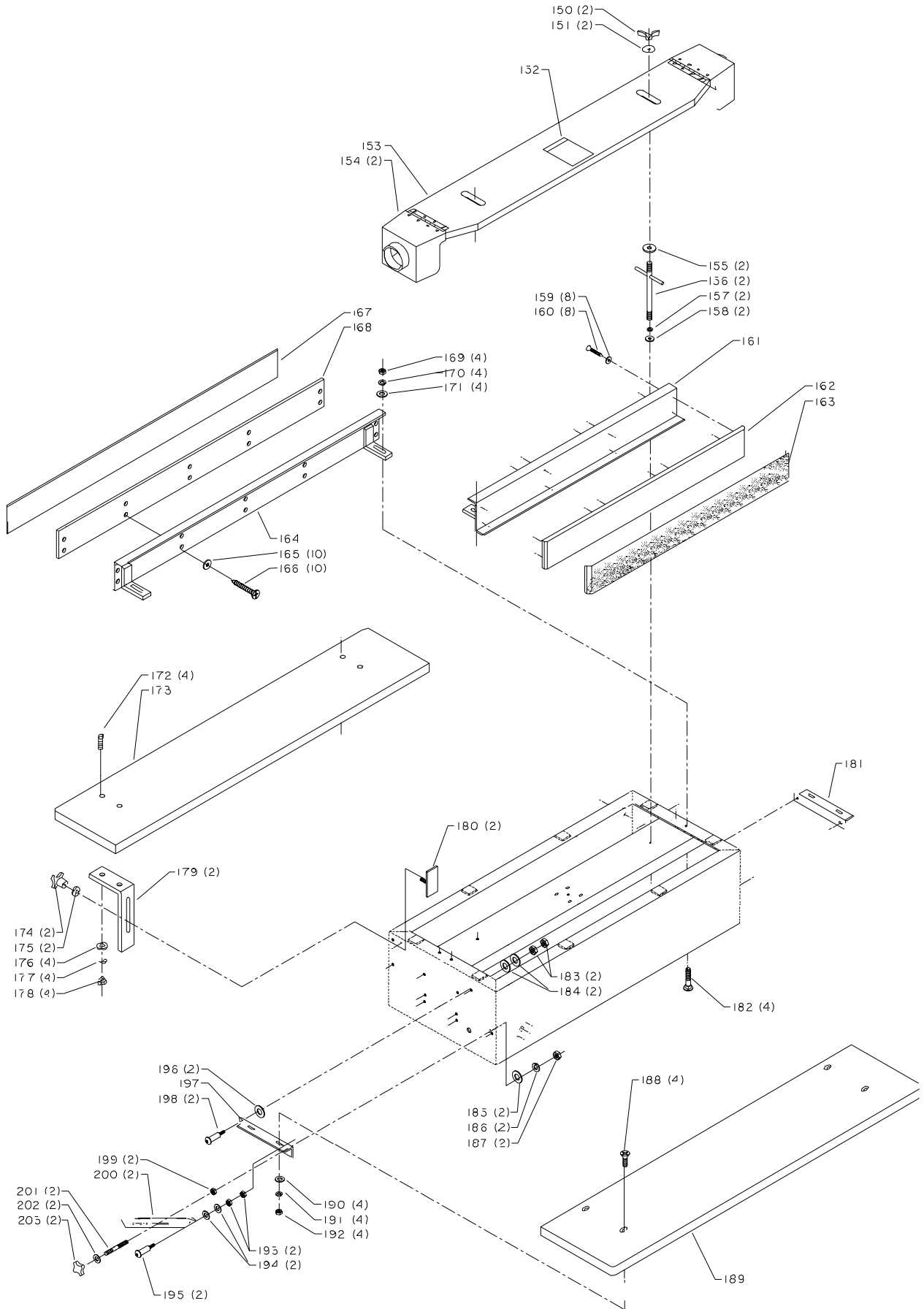


REPLACEMENT PARTS

Ref. No.	Part No.	Description	Ref. No.	Part No.	Description
1	1344567	TABLE0	37	902-01-010-5900	3/8-16 JAM NUT
2	1344568	SLIDE	38	n 901-11-023-1887	3/8-16 X 2" CARRIAGE HD SCREW, NOTE A
3	901-06-223-1380	#14 X 3/4" HEX WASHER HD SCREW		901-11-020-0816	3/8-16 X 2" CARRIAGE HD SCREW, NOTE B
4	1344569	SUPPORT	39	n 406-11-014-0004	BRACKET, NOTE A
5	901-01-060-0617	3/8-16 X 1 1/2" HEX HD SCREW		1342508	BRACKET, NOTE B
6	n 901-01-063-1861	3/8-16 X 1 1/4" HEX HD SCREW, NOTE A	40	n 901-11-023-1888	3/8-16 X 2 3/4" CARRIAGE HD SCREW, NOTE A
	901-01-060-0648	3/8-16 X 1 1/4" HEX HD SCREW, NOTE B		901-11-020-0850	3/8-16 X 2 3/4" CARRIAGE HD SCREW, NOTE B
7	1344571	KNOB ASSY	41	n 904-01-013-1884	7/16" FLAT WASHER, NOTE A
8	1344570	SUPPORT BRACKET		904-01-010-1606	7/16" FLAT WASHER, NOTE B
10	1344582	1-1/2" DRUM, INCL:	42	904-02-020-1704	3/8" LOCK WASHER
	1344583	2" DRUM, INCL:	43	n 902-01-043-1891	3/8-16 HEX NUT, NOTE A
	1344584	3" DRUM, INCL:		902-01-040-1026	3/8-16 HEX NUT, NOTE B
11	902-01-281-7295	1/4-20 HEX NUT	44	n 406-11-305-0007	IDLER TRACKING ASSY, NOTE A, CONST OF:
12	1344572	FLANGE		406-11-305-0001	IDLER TRACKING ASSY, NOTE B, CONST OF:
13	901-04-150-0217	5/16-18 X 1/2" HEX SOC SET SCREW	45	902-01-020-1266	1/2-13 JAM NUT
14	901-03-030-8013	1/4-20 X 3/4" FLAT HD SCREW	46	904-03-020-1773	1/2" INT TOOTH WASHER
15	406-11-430-0002	MOTOR PULLEY, INCL:	47	928-05-013-1378	WAVE WASHER
16	901-04-150-0217	5/16-18 X 1/2" HEX SOC SET SCREW	48	406-01-010-0001	SHIFT BLOCK
17	60-055	MOTOR, 1PH, 2HP, 230V	49	n 406-01-005-0002	BASE, NOTE A
18	86-011	MOTOR, 3PH, 3HP, 230/460V		406-01-005-0001	BASE, NOTE B
19	n 902-01-043-1889	5/16-18 JAM NUT, NOTE A	50	904-07-010-5567	1/2" FIBER WASHER
	902-01-040-1030	5/16-18 JAM NUT, NOTE B	51	406-01-412-0001	SCREW W/KNOB
20	904-02-010-1703	5/16" LOCK WASHER	52	902-01-020-1227	1/2-20 JAM NUT
21	n 904-01-013-1864	3/8" FLAT WASHER, NOTE A	53	406-01-408-0001	SPRING ROD
	904-01-010-1605	3/8" FLAT WASHER, NOTE B	54	408-01-106-5006	STUD
22	1344576	5/16-18 X 2 3/4" STUD	55	406-01-071-0002	STEEL PIN
23	902-01-010-5900	3/8-16 JAM NUT	56	n 406-11-359-0002	HINGE, NOTE A
24	904-02-020-1704	3/8" LOCK WASHER		406-11-359-0001	HINGE, NOTE B
25	904-01-010-1615	FLAT WASHER	57	901-04-150-0217	5/16-18 X 1/2" HEX SOC SET SCREW
26	1342552	FOAM PAD	58	904-07-010-5575	5/8" FIBER WASHER
27	n 406-11-305-0006	MAIN FRAME, NOTE A	59	928-05-001-4104	SPRING WASHER
	406-11-305-0004	MAIN FRAME, NOTE B	60	n 406-11-067-0003	BRACKET, NOTE A
28	902-01-010-5900	3/8-16 JAM NUT		406-11-067-0002	BRACKET, NOTE B
29	904-02-020-1704	3/8" LOCK WASHER	61	902-01-010-1232	7/16-20 JAM NUT
30	904-01-010-1615	FLAT WASHER	62	406-01-108-0002	STUD
31	n 406-11-066-0002	LEG, NOTE A	63	931-01-011-3519	HANDLE, SCREW ON
	406-11-066-0001	LEG, NOTE B	64	904-01-010-1636	FLAT WASHER
32	n 424-12-754-0014	NAMEPLATE, NOTE A	65	928-01-101-3379	COIL SPRING
	1342535	NAMEPLATE, NOTE B	66	904-01-031-2905	FLAT WASHER
33	n 406-11-754-0002	WARNING LABEL, NOTE A	67	902-01-010-1282	1/2-13 HEX NUT
	1342509	WARNING LABEL, NOTE B	68	n 901-01-063-1892	7/16-20 X 3/4" HEX HD SCREW, NOTE A
34	901-01-060-0642	3/8-16 X 1" HEX HD SCREW		901-01-060-0680	7/16-20 X 3/4" HEX HD SCREW, NOTE B
35	904-01-010-1615	FLAT WASHER	69	902-01-020-1226	5/8-18 JAM NUT
36	904-02-020-1704	3/8" LOCK WASHER	70	920-04-022-4021	BALL BEARING
			71	928-06-010-7352	WAVE WASHER
			72	406-11-104-0001	BEARING SPACER
			73	406-11-130-0004	IDLER PULLEY
			74	406-11-106-0003	SHAFT

NOTE A: S/N'S BEGINNING WITH 02D AND ABOVE.

NOTE B: S/N'S BEGINNING WITH 02C AND BELOW.



REPLACEMENT PARTS

Ref.	No.	Part No.	Description
	150	419-96-138-0004	KNOB
	151	904-01-010-1606	7/16" FLAT WASHER
	152	n 406-11-354-0004	GUARD ASSY, NOTE A, INCL:
		1344560	GUARD ASSY, NOTE B, INCL:
	153	1344561	END COVER
	154	n 406-11-754-0002	WARNING LABEL, NOTE A
		1342509	WARNING LABEL, NOTE B
	154	n 901-05-473-1893	#08-32 X 5/16" SCREW, NOTE A
		901-05-473-1655	#08-32 X 5/16" SCREW, NOTE B
	155	904-01-031-4953	1/2" FLAT WASHER
	156	1344562	SHAFT
	157	904-02-020-1704	3/8" LOCK WASHER
	158	904-01-010-1606	7/16" FLAT WASHER
	159	904-01-010-1610	FLAT WASHER
	160	1342558	#10-16 X 3/4" WOOD SCREW
	161	1344563	Z-PLATEN
	162	1344564	PLATEN
	163	1344565	GRAPHITE PAD
	164	1344586	Z-PLATEN
	165	904-01-010-1610	FLAT WASHER
	166	1342558	#10-16 X 3/4" WOOD SCREW
	167	1344587	GRAPHITE PAD
	168	1344588	PLATEN
	169	902-01-010-5900	3/8-16 JAM NUT
	170	904-02-020-1704	3/8" LOCK WASHER
	171	904-01-010-1606	7/16" FLAT WASHER
	172	1342526	3/8-16 X 2 1/4" FLAT HD SCREW
	173	406-11-091-0002	TABLE
	174	406-11-138-0002	HAND KNOB
	175	904-01-010-1606	7/16" FLAT WASHER
	176	904-01-010-1605	3/8" FLAT WASHER
	177	904-02-020-1704	3/8" LOCK WASHER
	178	902-01-010-5900	3/8-16 JAM NUT
	179	1342551	TABLE BRACKET
	180	406-11-111-0001	STUD ASSY
	181	1342542	TILT BRACKET
	182	901-11-020-0823	3/8-16 X 1 1/2" CARRIAGE HD SCREW
	183	902-01-210-1072	5/16-18 LOCK NUT
	184	904-01-010-1605	3/8" FLAT WASHER
	185	904-01-010-1615	FLAT WASHER
	186	904-02-020-1704	3/8" LOCK WASHER
	187	902-01-010-5900	3/8-16 JAM NUT
	188	n 901-02-033-1894	3/8-16 X 2" FLAT HD SCREW, NOTE A
		1342524	3/8-16 X 2" FLAT HD SCREW, NOTE B
	189	406-11-091-0001	TILT TABLE
	190	904-01-010-1605	3/8" FLAT WASHER
	191	904-02-020-1704	3/8" LOCK WASHER
	192	902-01-010-5900	3/8-16 JAM NUT
	193	902-01-210-1072	5/16-18 LOCK NUT
	194	904-01-010-1605	3/8" FLAT WASHER
	195	422-32-112-0003	SHOULDER SCREW
	196	904-01-010-1605	3/8" FLAT WASHER
	197	1342541	TILT BRACKET
	198	422-32-112-0003	SHOULDER SCREW
	199	902-01-010-5900	3/8-16 JAM NUT
	200	1342544	TABLE SUPPORT
	201	1342523	STUD
	202	n 904-01-013-1884	7/16" FLAT WASHER, NOTE A
		904-01-010-1606	7/16" FLAT WASHER, NOTE B
	203	406-11-138-0001	LOCK KNOB

STANDARD SAFETY EQUIPMENT

In order to promote tool safety, Delta Machinery strictly enforces the policy of repairing or replacing any damaged or missing standard safety equipment on machines presented to Delta Authorized Service Centers for service/repairs. Any product that is presented to a Delta Authorized Service Centers for repairs which contains missing or damaged standard safety equipment will have that equipment repaired or replaced and the customer will be charged for any such service/repairs. Customers can avoid such charges only if the missing safety component is supplied to the service center at the time of repair.

This parts list is provided to aid in obtaining service parts. Copies of the instruction and maintenance literature can be obtained through the Delta Technical Publications Department or through your service outlet.