

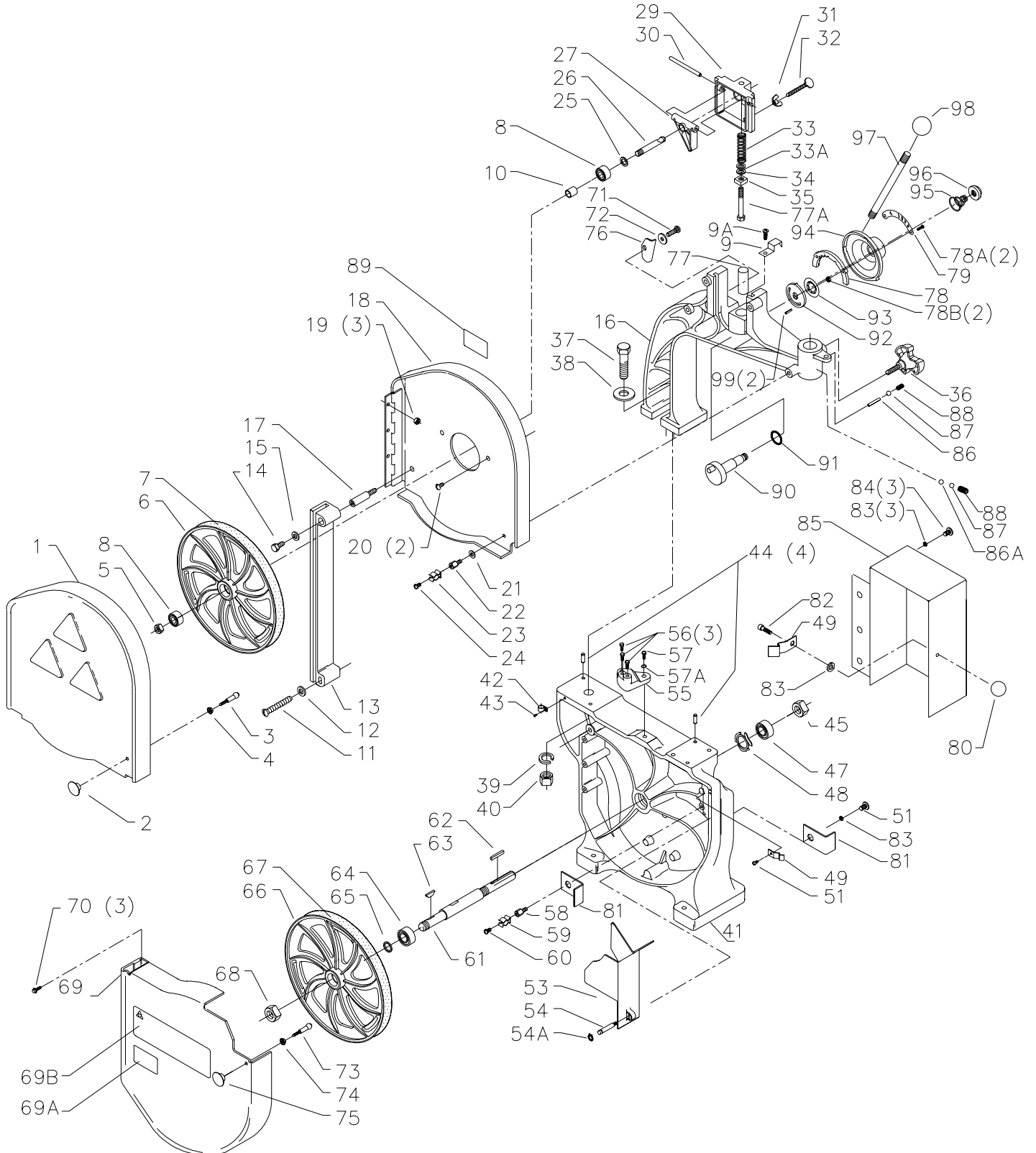


28-248, 28-248F, 28-248G,
& 28-475X
14" WOOD CUTTING BAND SAW

BS-2G-1D

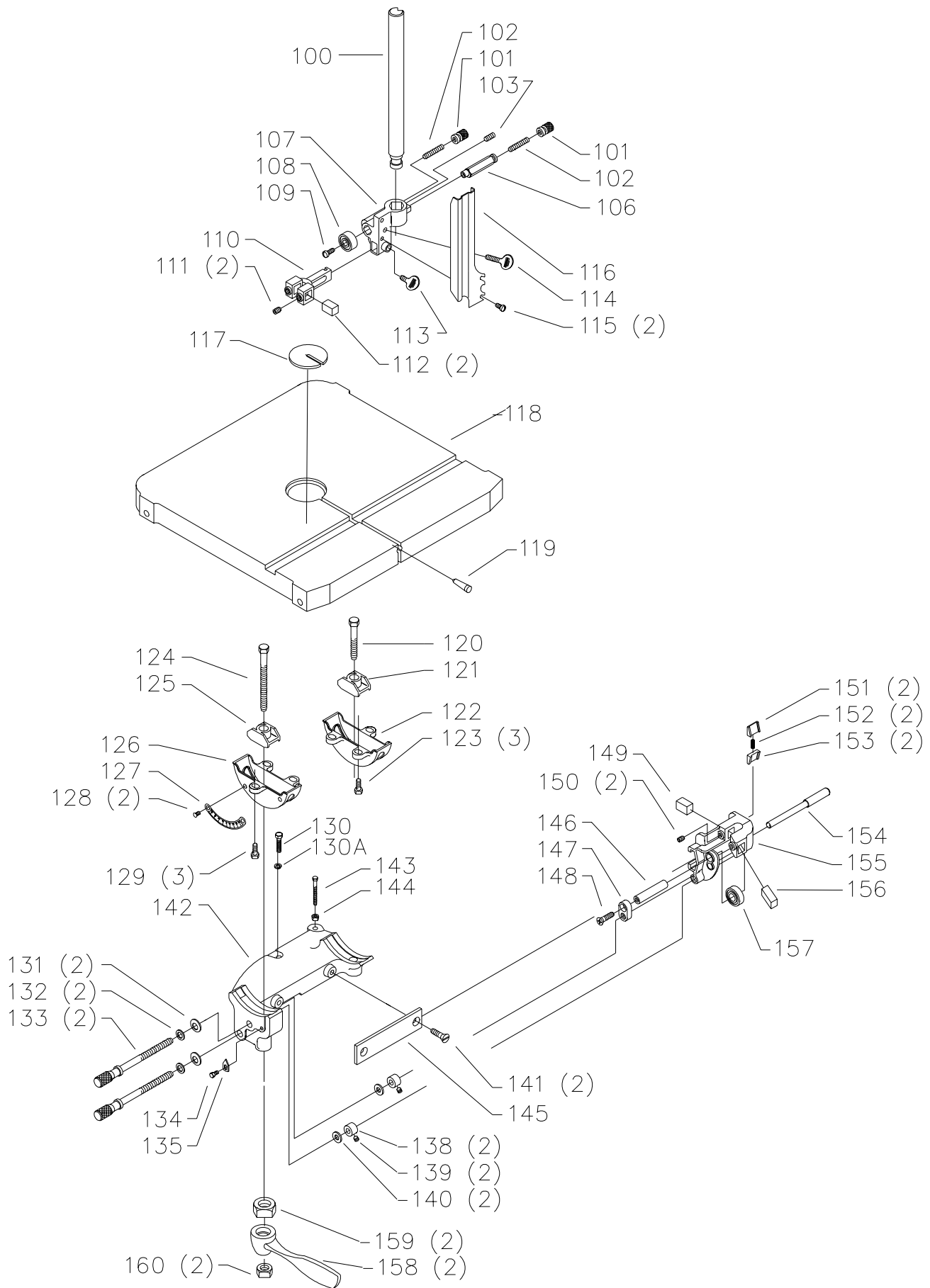
PART NO. 426-02-651-0061

Date: 08-31-04



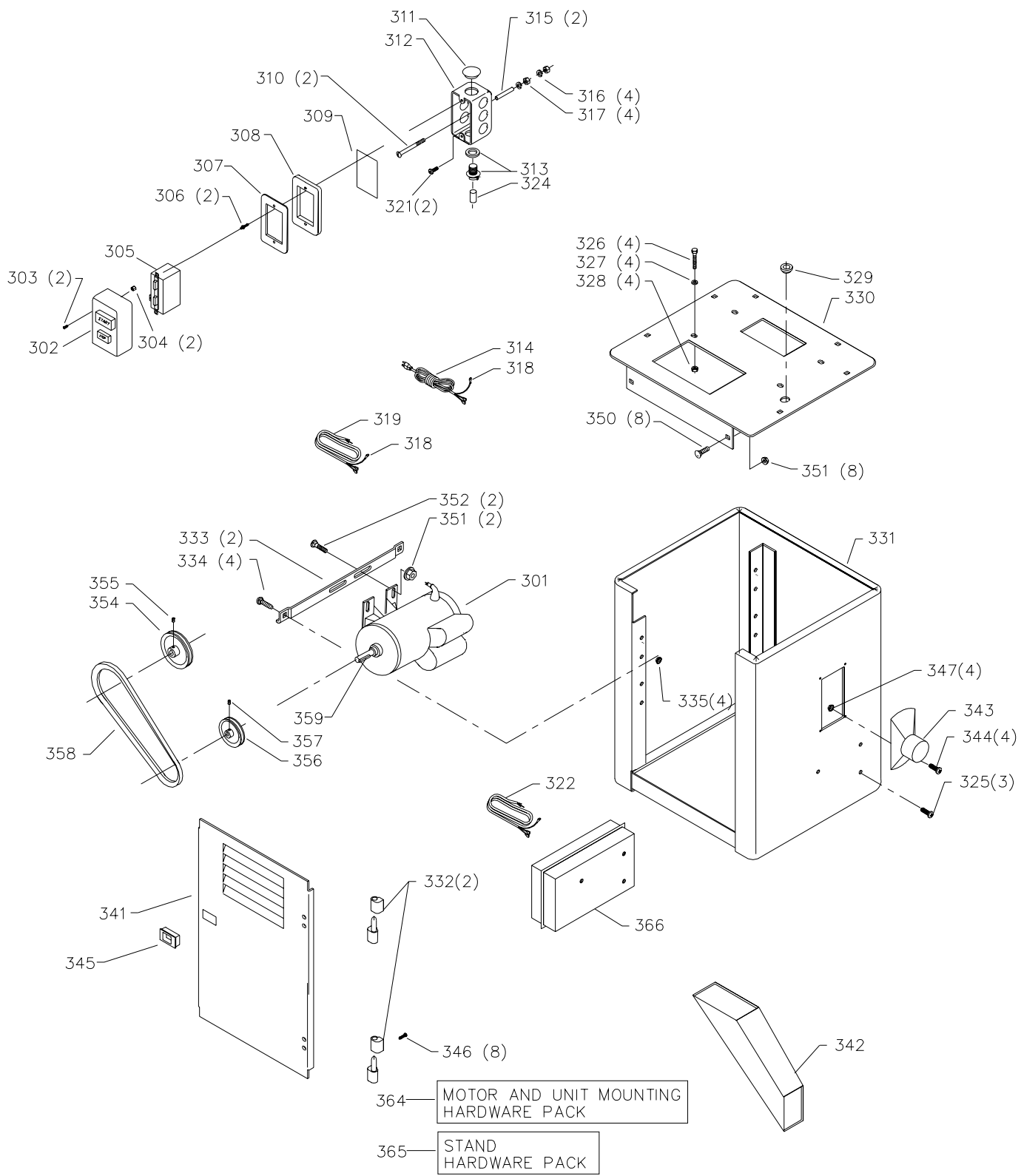
REPLACEMENT PARTS

<u>Ref.</u>	<u>No.</u>	<u>Part No.</u>	<u>Description</u>	<u>Ref.</u>	<u>No.</u>	<u>Part No.</u>	<u>Description</u>
	1	426-02-354-0049	UPPER GUARD	58	426-02-111-0012		HEX STUD
	2	406-03-060-0002	KNOB, 28-248, 28-248F, 28-248G	59	426-02-122-0003		DOOR CATCH
		426-02-060-0001	KNOB, 28-475X	60	901-02-051-2860		#08-32 X 1/4" FILL HD SCREW
	3	426-02-071-0002	DOOR LOCK STUD	61	426-02-106-0010		DRIVE SHAFT
	4	902-01-293-1513	#10-32 KEPS NUT	62	927-03-010-2650		1 3/8" KEY
	5	902-01-020-1227	1/2-20 JAM NUT	63	927-01-100-2603		KEY
	6	426-03-400-0008	UPPER WHEEL ASSY, INCL:	64	920-04-020-5348		BEARING
	7	426-02-094-0003	TIRE	65	904-01-031-4982		FLAT WASHER
	8	920-04-010-7273	BEARING	66	426-03-400-0010		WHEEL, INCL:
	9	n 426-02-075-0001	POINTER	67	426-02-094-0003		TIRE
9A	n	901-03-043-1917	10-32 X 5/8" SCREW	68	902-07-030-7171		NUT
	10	426-02-104-0006	SPACER	69	426-02-354-0055		GUARD ASSY , INCL:
	11	901-02-012-1910	3/8-16 X 2 1/4" ROUND HD SCREW	69A	426-02-754-0012		WARNING LABEL ,
	12	904-01-010-1615	FLAT WASHER	69B	426-02-754-0011		NAME PLATE, 28-248, 28-248F, 28-248G
	13	426-02-054-0017	BLADE GUARD		426-02-754-0013		NAME PLATE, 28-475X
	14	901-02-763-1527	5/16-18 X 1/2" HEX HD SCREW	70	901-06-143-1786		1/4-20 X 1/2" HEX WASHER HD SCREW
	15	904-01-010-1615	FLAT WASHER	71	901-02-123-1912		1/4 X20 X 5/8 SCREW
	16	426-02-089-0010	UPPER FRAME , Incl.: Ref. 86A, 87, & 88	72	406-13-104-0002		SPACER
	17	426-02-111-0006	STUD	73	426-02-071-0002		STUD
	18	426-02-354-0048	GUARD	74	902-01-293-1513		#10-32 KEPS NUT
	19	902-01-133-1529	1/4-20 FLANGE NUT	75	406-03-060-0002		KNOB, 28-248, 28-248F, 28-248G
	20	901-02-763-1527	5/16-18 X 1/2" HEX HD SCREW		426-02-060-0001		KNOB, 28-475X
	21	904-01-010-1620	FLAT WASHER	76	426-02-088-0003		STOP
	22	426-02-111-0012	HEX STUD	77	426-02-078-0001		PLUNGER
	23	426-02-122-0003	DOOR CATCH	77A	432-09-112-0004		3/8-16 X 2 HEX SCREW
	24	901-02-051-2860	#08-32 X 1/4" FILL HD SCREW	78	426-02-051-0001		GEAR RING
	25	904-01-032-2477	FLAT WASHER	78A	901-03-043-1917		10-32 X 5/8" SCREW
	26	426-02-106-0004	SHAFT	78B	902-01-293-1513		10-32 HEX NUT
	27	426-02-059-0001	HINGE	79	426-02-132-0002		SCALE
	29	426-02-014-0003	SLIDING BRACKET	80	931-01-013-1898		KNOB, EMO
	30	905-04-141-3146	PIN	81	436-01-014-0003		LATCH
	31	902-04-010-1403	5/16-18 WING NUT	82	901-03-010-0229		1/4-20 X 1/2SOC HD SCREW
	32	901-04-261-4010	5/16-18 X 2" THUMB SCREW	83	904-01-013-1885		1/4" FLAT WASHER
	33	928-01-603-1902	SPRING	84	901-03-040-8015		1/4-20 X 1/2" BUTTON SCREW
33A		904-01-033-1451	WASHER	85	426-02-354-0056		PULLEY GUARD
34		904-07-010-5572	WASHER	86	426-02-071-0003		PIN, EMO
35		902-02-050-1317	3/8-16 SQUARE NUT	86A	921-01-110-0001		BALL, CMO
36		426-02-327-0003	KNOB, 28-248, 28-248F, 28-248G	87	426-02-074-0001		BALL
		426-02-327-0004	KNOB, 28-475X	88	901-04-190-0225		5/16-18 X 1/4 HEX SOC. SET SCREW
	37	901-01-060-9062	3/4-10 X 2 3/4" HEX HD SCREW	89	426-02-752-0080		LABEL
	38	904-01-010-1611	13/16" FLAT WASHER	90	426-02-106-0013		CAM SHAFT
	39	904-02-020-1707	LOCK WASHER	91	908-25-013-1915		O-RING
	40	902-01-100-1027	3/4-10 HEX NUT	92	426-02-019-0001		CAM ACCUATOR
	41	426-02-005-0007	BASE, INCL.: REFS. 49 & 51	93	902-03-023-1914		3/4 PUSH NUT
	42	438-01-004-0082	CABLE CLAMP	94	426-02-031-0004		COVER
	43	901-03-010-3318	#10-32 X 3/8" HEX SOC HD SCREW	95	928-01-803-1911		SPRING
	44	905-04-071-4460	1/4" X 3/4" DOWEL PIN	96	426-02-079-0002		NUT
	45	902-07-030-7171	NUT	97	426-02-067-0001		HANDLE
	47	920-04-020-5348	BEARING	98	931-01-011-4091		KNOB, 28-248, 28-248F, 28-248G
	48	928-07-010-7353	SPRING		424-02-138-0005		KNOB, 28-475X
	49	426-02-122-0004	SPRING CLIP	99	905-01-010-6715		3/16 X 5/8 ROLL PIN
	51	901-03-010-0763	1/4-20 X 3/8" HEX SOC HD SCREW				
	53	426-02-036-0001	DUST DEFLECTOR	*		NOT SHOWN ASSEMBLED	
	54	426-02-111-0011	PIVOT STUD				
54A		904-15-062-0283	E-RING				
	55	426-02-088-0002	TABLE TILT STOP				
	56	901-01-063-1656	1/4-20 x 3/4 HEX SCREW				
	57	901-01-063-1909	1/4-20 x 1/2 HEX SCREW				
57A		928-06-013-1910	WAVE WASHER				



REPLACEMENT PARTS

<u>Ref.</u>	<u>Part No.</u>	<u>Description</u>	<u>Ref.</u>	<u>Part No.</u>	<u>Description</u>
100	426-02-055-0001	GUIDE POST	131	928-05-013-1378	WAVE WASHER
*	426-02-355-0002	UPPER BLADE GUIDE, INCL.:	132	904-07-010-5571	FIBER WASHER
101	902-08-041-3064	5/16-24 SERRATED NUT	133	426-02-412-0004	SCREW ASSY
102	901-04-150-0297	5/16-24 X 1 3/4" HEX SOC SET SCREW	134	901-03-012-2144	#10-32 X 1/4" HEX SOC HD SCREW
103	901-04-190-0207	5/16-18 X 1/2" HEX SOC SET SCREW	135	951-01-010-7802	POINTER
106	426-02-106-0009	HEXAGON SHAFT	138	426-03-388-0001	COLLAR ASSY, INCL.:
107	426-02-089-0002	BRACKET	139	901-04-150-0208	1/4-20 X 1/4" HEX SOC SET SCREW
108	920-08-020-1457	BEARING	140	904-07-010-5571	WASHER
109	901-03-040-8015	1/4-20 X 1/2" BUTTON HD SCREW	141	901-02-030-0408	5/16-18 X 3/4" FLAT HD SCREW
*	426-02-355-0003	BRACKET ASSY, INCL.:	142	426-02-314-0008	TRUNNION SUPPORT ASSY, INCL.:
110	426-02-014-0004	BRACKET	143	901-01-060-3125	5/16-18 X 2 1/2" HEX HD SCREW
111	901-04-190-0225	5/16-18 X 1/4" HEX SOC SET SCREW	144	1087640	5/16-18 LOCK NUT
112	952-02-011-3254	GUIDE BLOCK	*	426-02-355-0004	LOWER BLADE GUIDE, INCL.:
113	901-04-260-1520	5/16-18 X 1/2" THUMB SCREW	145	426-02-004-0001	STEEL RAIL
114	901-04-260-1528	5/16-18 X 1" THUMB SCREW	146	904-10-101-3166	SPACER
115	901-03-040-8015	1/4-20 X 1/2" BUTTON HD SCREW	147	426-02-014-0013	ADJUSTING LINK
116	426-02-054-0001	BLADE GUARD	148	901-03-030-8013	1/4-20 X 3/4" FLAT HD SCREW
117	426-02-063-0002	TABLE INSERT	149	952-02-011-3254	GUIDE BLOCK
118	426-02-391-0009	TABLE, INCL.:	150	901-04-190-0225	5/16-18 X 1/4" HEX SOC SET SCREW
119	426-02-071-0001	PIN	151	426-02-098-0001	WEDGE
120	901-01-063-1906	7/16-14 X 2 3/4" HEX HD SCREW	152	928-01-021-3387	COIL SPRING
121	426-02-027-0001	CLAMP SHOE	153	426-02-098-0001	WEDGE
122	426-02-095-0002	TRUNNION	154	426-02-106-0011	SHAFT
123	901-02-763-1530	1/4-20 X 1/2" HEX WASHER HD SCREW	155	426-02-014-0006	SUPPORT BRACKET
124	901-01-063-1907	7/16-14 X 4" HEX HD SCREW	156	952-02-011-3253	ANGLE GUIDE BLOCK
125	426-02-027-0001	CLAMP SHOE	157	920-08-020-1457	BEARING
126	426-02-395-0005	TRUNNION ASSY, INCL.:	158	426-02-033-0001	HANDLE, 28-248, 28-248F, 28-248G
127	426-02-132-0001	SCALE		426-02-033-0002	HANDLE, 28-475X
128	903-03-023-1333	RIVIT	159	902-01-020-5438	HEX NUT
129	901-02-763-1530	1/4-20 X 1/2" HEX WASHER HD SCREW	160	902-01-213-1908	LOCK NUT
130	901-01-060-0602	5/16-18 X 1 1/4" HEX HD SCREW			
130A	904-02-010-1703	5/16" LOCKWASHER	*		NOT SHOWN ASSEMBLED



REPLACEMENT PARTS

Ref.	No.	Part No.	Description	Ref.	No.	Part No.	Description
	301	n 438-02-314-6212	1.5 /2HP 1PH 120/240V MOTOR, 28-248, 28-248F, & 28-475X		327	904-01-010-1605	3/8" FLAT WASHER
		438-02-314-6002	1.5HP 3PH 200/230/460V MOTOR, 28-248G		328	902-01-503-1514	5/16-18 FLANGE NUT
	302	1340100	SWITCH COVER ASSY		329	438-01-011-0078	BUSHING INSULATOR
	303	901-02-443-1899	#06-32 X 1/4" ROUND HD		330	426-02-072-0005	CABINET TOP
	304	402-07-104-5007	SPACER		331	436-01-318-0027	CABINET, 28-248, 28-745X
	305	1340095	SWITCH, 28-248, 28-475X			436-01-318-0028	CABINET, 28-248F, 28-248G
		438-01-017-0101	SWITCH, 28-248F, 28-248G		332	426-02-059-0006	HINGE
	306	402-07-111-5002	STUD		333	436-01-004-0022	MOTOR BRACKET
	307	438-01-021-0149	SWITCH PLATE		334	901-11-023-1476	5/16-18 X 3/4" CARRIAGE BOLT
	308	422-04-116-0001	GASKET		335	902-01-503-1865	5/16-18 FLANGE NUT
	309	438-01-011-0036	INSULATOR		341	436-01-123-0013	CABINET DOOR
	310	901-02-120-7533	1/4-20 X 2 3/4" TRUSS HD		342	426-02-326-0002	SHUTE
	311	438-01-011-0064	PLUG		343	406-12-026-0001	DUST PORT
	312	438-01-001-0079	UTILITY BOX		344	901-02-453-1123	10-32 SCREW
	313	438-01-004-0069	CORD CLAMP, 28-248, 28-475X		345	426-02-068-0001	LATCH
		438-01-004-0007	CORD CLAMP, 28-248F, 28-248G		346	901-03-010-3322	10-24 SCREWS
	314	n 438-01-302-0315	CORD, 28-248, 28-475X, INCL.: REF. 318		347	902-01-293-1513	#10-32 KEPS NUT
		438-01-302-0379	CORD, 28-248F, INCL.: REF. 318		350	901-11-023-1476	5/16-18 X 5/8" CARRIAGE BOLT
	315	430-02-104-0005	1-3/4" SPACER		351	902-01-503-1865	5/16-18 FLANGE NUT
	316	904-02-020-1702	1/4" LOCKWASHER		352	901-11-020-0834	5/16-18 X 3/4" CARRIAGE BOLT
	317	902-01-120-1034	1/4-20 HEX NUT		354	426-02-130-0002	9" DRIVEN PULLEY
	318	438-01-018-0041	TERMINAL		355	901-04-150-0231	5/16-18 X 3/8" HEX SOC SET
	319	438-01-302-0719	CORD, INCL.:REF. 318		356	926-01-041-9366	2 1/4" MOTOR PULLEY
	321	901-03-010-3318	#10-32 X 3/8" SOC. HD		357	901-04-150-0231	5/16-18 X 3/8" HEX SOC SET
	322	438-01-302-0719	LVC CORD, 28-248F		358	49-035	54" OC V-BELT
		438-01-302-0721	LVC CORD, 28-248G		359	927-03-010-2650	3/16 X 3/16 X 1 3/8 KEY
	324	438-01-011-0054	INSULATING SLEEVE		364	436-01-725-0002	MOTOR/SAW MTG. HARDWARE PACK
	325	901-03-040-8015	1/4-20 X 1/2" BUTTON HD SCREW		365	426-02-725-0011	STAND ASSY. HARDWARE PACK
	*	426-02-389-0010	STAND, INCL.:		366	52-702	3PH LVC CONTROL, 28-248G, SEE NOTE A
	326	901-01-060-0613	5/16-18 X 1 3/4" HEX HD			52-704	1PH LVC CONTROL, 28-248F, SEE NOTE A
					*		NOT SHOWN ASSEMBLED

NOTE A: SEE LVC CONTROL INSTRUCTION SHEET FOR LVC REPLACEMENT PARTS.

STANDARD SAFETY EQUIPMENT

In order to promote tool safety, Delta Machinery strictly enforces the policy of repairing or replacing any damaged or missing standard safety equipment on machines presented to Delta Authorized Service Centers for service/repairs. Any product that is presented to a Delta Authorized Service Center for repair with damaged or missing standard safety equipment will have that equipment repaired or replaced and the customer will be charged for any such service/repairs. Customers can avoid such charges only if the missing safety component is supplied to the service center at the time of repair.

This parts list is provided to aid in obtaining service parts. Copies of the instruction and maintenance literature can be obtained through the Delta Technical Publications Department, your service outlet, or by visiting the Delta Website @ www.deltamachinery.com.