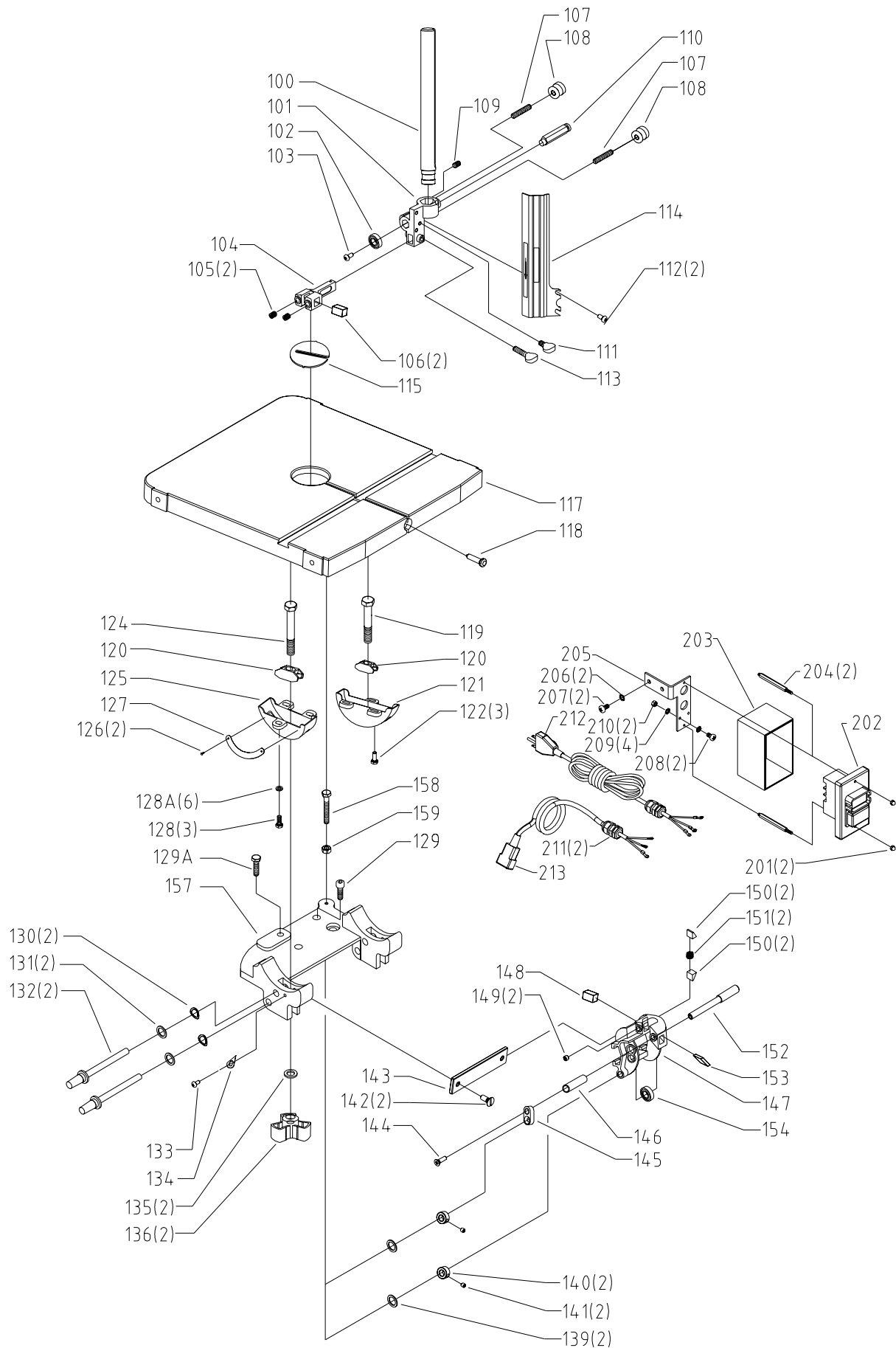


REPLACEMENT PARTS

Ref.			Ref.		
<u>No.</u>	<u>Part No.</u>	<u>Description</u>	<u>No.</u>	<u>Part No.</u>	<u>Description</u>
1	905139	KNOB	36	905167	HEX STUD
2	905140	KEPS NUT	37	1340637	M8 FLAT WASHER
3	905141	DOOR LOCK STUD	40	1243321	M6 x 10 PAN HD SCREW
4	905142	FRONT UPPER GUARD	43	905168	LOWER GUARD
5	1348294	JAM NUT	44	905139	KNOB
6	1348917	M12 FLAT WASHER	45	905140	NUT
7	907238	UPPER WHEEL ASSY, INCL.:	46	905141	DOOR LOCK STUD
8	920-04-010-7272	BEARING	47	1343859	NUT
9	907019	SPRING CLIP	48	907239	LOWER WHEEL ASSY, INCL.:
10	905144	SPACER	49	905145	TIRE
11	905145	TIRE	50	905170	FLAT WASHER
11A	905146	FLAT WASHER	51	920-04-020-5348	BEARING
12	1246036	M10 X 60 HEX HD SCR	52	905171	KEY
13	1243502	M10 FLAT WASHER	53	905172	LOWER DRIVE SHAFT
14	905147	UPPER FRAME	54	905173	5 X 36 KEY
14A	905148	INSULATOR	55	1347527	M4 X 8 PAN HD SCR
14B	905187	SPRING, EMO	56	1310210	M4 EXT TOOTH WASHER
14D	905162	LIFT SHOE	57	905166	DOOR CATCH
14E	905161	TENSION CRANK	58	905167	STUD
14F	1346071	SNAP RING 19 MM	59	905174	BASE
14G	905163	HANDLE	59A	905175	WIRE CLIP
14H	907360	4 X 20 SPRING PIN	59B	1342455	M5 X 10 PAN HD SCR
15	905149	STUD	59C	1342455	M5 X 10 PAN HD SCREW
16	1243526	M8 FLAT WASHER	59D	907018	GUARD
17	905150	M8 X 12 HEX WASHER HD SCR	59E	901808	WIRE SLEEVE
18	905150	M8 X 12 HEX WASHER HD SCR	60	905176	6.35 X 20 DOWEL PIN
19	905151	REAR GUARD	65	905177	M20 X 70 HEX HD SCR
19A	1243321	M6 x 10 PAN HD SCREW	66	905178	FLAT WASHER
20	1343058	M6 FLANGE NUT	67	905179	LOCK WASHER
21	905152	UPPER WHEEL SHAFT	68	905180	M20 HEX NUT
22	905153	HINGE	69	905181	SPRING
23	905154	PIN	70	1343859	M20 NUT
24	905155	KNOB	71	1347293	M6 X 12 PAN HD SCR
25	905156	SLIDING BRACKET	72	1243520	M6 LOCK WASHER
26	1344333	M8 WING NUT	73	905182	SPRING CLIP
27	905157	M8 X 63 THUMB SCR	75	905183	M6 X 1 X20 SHOULDER SCR
28	905158	COIL SPRING	76	907017	GUARD
29	905159	FIBER WASHER	77	906884	WARNING LABEL
30	905160	M10 SQUARE NUT	78	911315	PLUG, CMO
31	905164	KNOB	79	911316	BALL, CMO
32	905165	BLADE GUARD	80	1246133	SET SCREW, CMO
33	1347527	M4 X 8 PAN HD SCR			
34	1310210	M4 EXT TOOTH WASHER			
35	905166	DOOR CATCH			

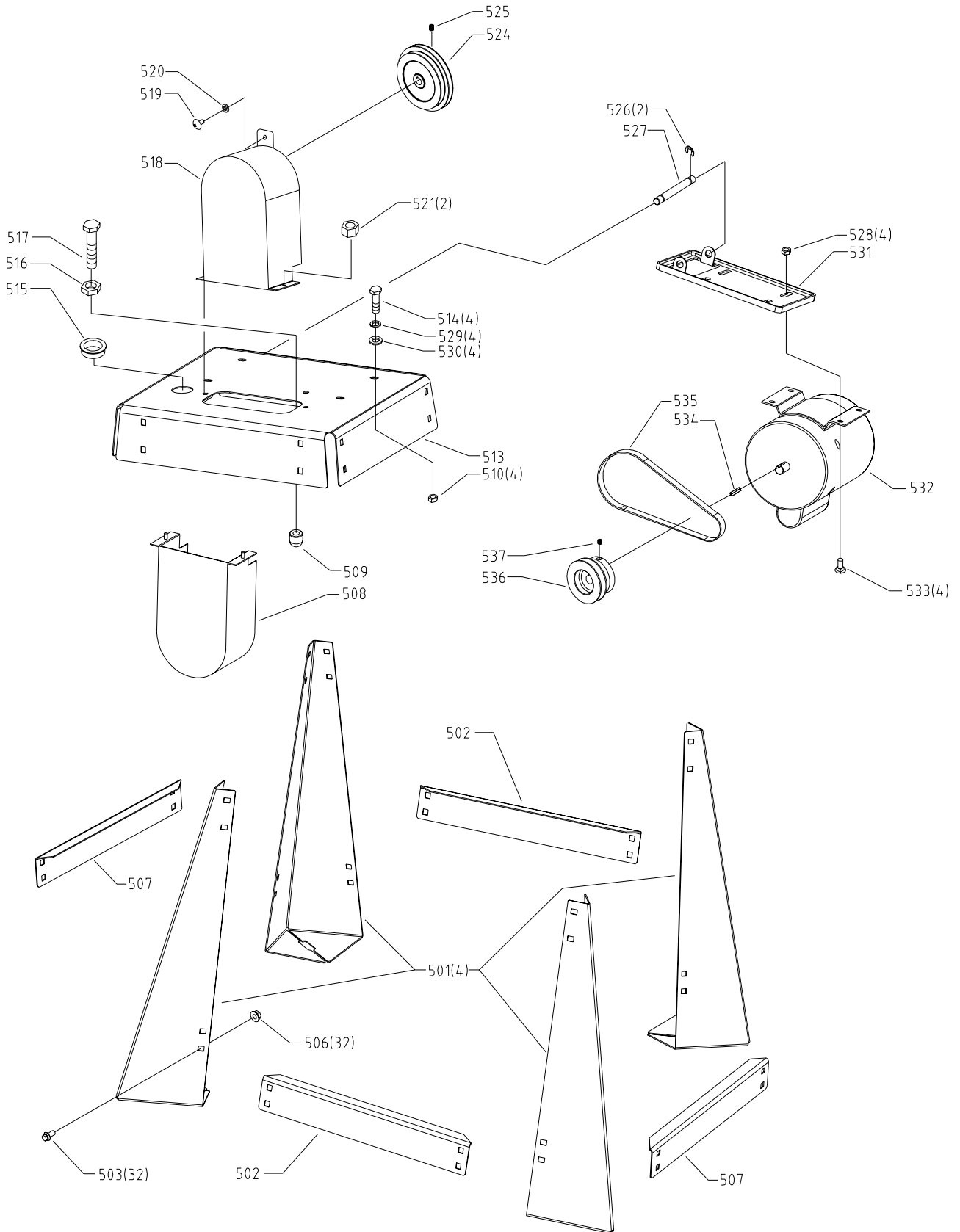
EMO=EARLY MODELS ONLY
CMO=CURRENT MODELS



REPLACEMENT PARTS

Ref.			Ref.		
<u>No.</u>	<u>Part No.</u>	<u>Description</u>	<u>No.</u>	<u>Part No.</u>	<u>Description</u>
100	905186	GUIDE POST	135	1348917	FLAT WASHER
101	905188	BRACKET	136	905208	KNOB
102	920-08-020-5352	BEARING	139	904-07-011-5711	FIBER WASHER
103	1345859	M6 X 12 BUTTON HD SCR	140	905209	COLLAR
104	905189	BRACKET	141	1310055	M6 X 6 HEX SOC SET SCR
105	1340565	M8 X 6 HEX SOC SET SCREW	142	1341856	M8 X 20 FLAT HD SCR
106	905190	GUIDE BLOCK	143	905210	RAIL
107	905191	M8 X 45 HEX SOC SET SCR	144	905211	M6 X 18 FLAT HD SCR
108	905192	SERRATED NUT	145	905212	LINK
109	1330200	M8 X 12 HEX SOC SET SCR	146	905213	SPACER TUBE
110	905193	SHAFT	147	905214	SUPPORT BRACKET
111	905194	M8 X 25 THUMB SCR	148	905190	GUIDE BLOCK
112	1345860	M6 X 12 BUTTON HD SCR	149	907361	M8 X 6 HEX SOC SET SCREW
113	905195	M8 X 12 THUMB SCR	150	905215	WEDGE
114	905196	BLADE GUARD	151	905216	COIL SPRING
115	905197	TABLE INSERT	152	905217	SHAFT
117	907240	TABLE ASSY, INCL.:	153	905218	ANGLE GUIDE BLOCK
118	905199	PIN	154	920-08-020-5352	BEARING
119	1246199	M12 X 60 HEX HD SCR	157	907242	TRUNNION SUPPORT ASSY, INCI
120	905200	CLAMP SHOE	158	905220	M8 X 65 HEX HD SCR
121	905201	TRUNNION	159	1243398	M8 HEX NUT
122	436-10-112-0002	M6 X 16 HEX HD SCR	201	907013	M4 CAP NUT
124	1246087	M12 X 90 HEX HD SCR	202	905224	SWITCH
125	907241	TRUNNION ASSY, INCL.:	203	905221	SWITCH BOX
126	905203	RIVET	204	907014	HEX ROD SCREW
127	905204	SCALE	205	905223	SUPPORT
128	1246014	M6 X 15 HEX HD SCR	206	1313361	M6 EXT TOOTH WASHER
128A	1340654	M6 FLAT WASHER	207	1243321	M6 x 10 PAN HD SCREW
129	1246053	M8 X 25 SOC HD SCR	208	1342455	M5 X 10 PAN HD SCREW
129A	1246017	M8 X 30 HEX HD SCR	209	1310216	M8 EXT TOOTH WASHER
130	905205	WAVE WASHER	210	1243398	M8 HEX NUT
131	904-07-011-5711	FIBER WASHER	211	907016	CORD BUSHING
132	905206	ADJ SCR W/KNOB	212	905228	POWER CORD
133	1342455	M5 X 10 PAN HD SCREW	213	905227	CORD
134	905207	POINTER			

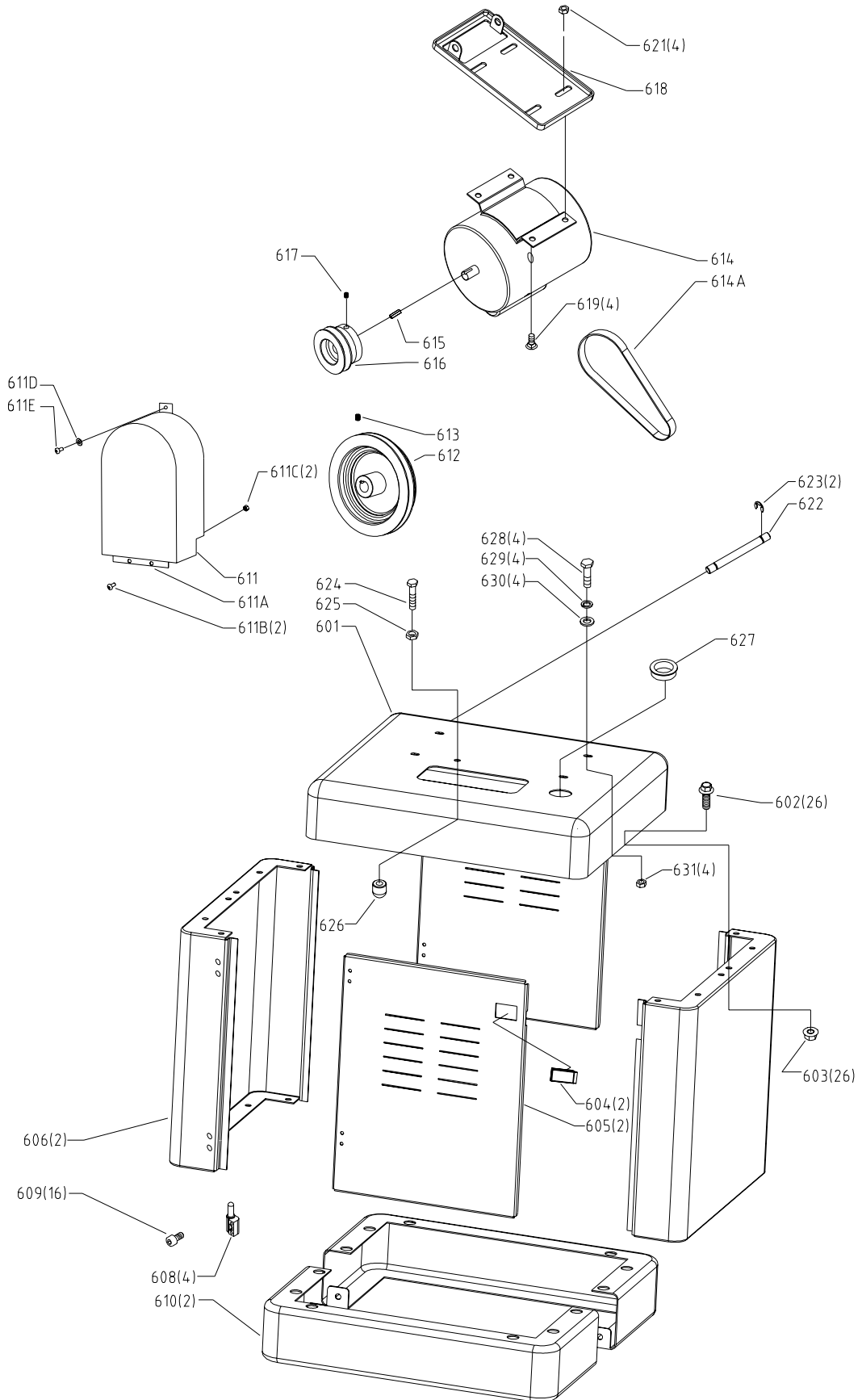
28-276 STAND



REPLACEMENT PARTS

<u>Ref.</u>	<u>No.</u>	<u>Part No.</u>	<u>Description</u>
	501	905235	LEG
	502	905237	BRACE
	503	1349177	M8 X 1.25 X 16 CARRIAGE BOLT
	506	1348301	M8 X 1.25 HEX FLANGE NUT
	507	905236	BRACE
	508	905245	GUARD
	509	907010	DAMPING WASHER
	510	1348301	M8 X 1.25 HEX FLANGE NUT
	513	905231	BRACKET
	514	1246079	M8 X 40 HEX HD SCREW
	515	907011	INSULATOR
	516	n 1243496	M10 HEX NUT
	517	n 1246020	M10 X 40 HEX HD SCREW
	518	907012	UPPER BELT GUARD
	519	1243321	M6 x 10 PAN HD SCREW
	520	1341945	M6 FLAT WASHER
	521	1348301	M8 X 1.25 HEX FLANGE NUT
	524	907243	DRIVEN PULLEY ASSY, INCL.:
	525	905240	M8 X 8 HEX SOC HD SCR
	526	1246058	C RING
	527	905243	SHAFT
	528	1348301	M8 X 1.25 HEX FLANGE NUT
	529	1246157	M8 LOCK WASHER
	530	1243526	M8 FLAT WASHER
	531	905244	MOTOR BRACKET
	532	905238	MOTOR
	533	1349177	M8 X 1.25 X 16 CARROAGE BOLT
	534	1342579	5 X 25 KEY
	535	905241	BELT
	536	907244	MOTOR PULLEY ASSY, INCL.:
	537	905240	M8 X 8 HEX SOC HD SCR

28-206 STAND



REPLACEMENT PARTS

Ref.	No.	Part No.	Description
	601	905246	BRACKET
	602	1349177	M8 X 1.25 X 16 CARRIAGE BOLT
	603	1348301	M8 X 1.25 HEX FLANGE NUT
	604	905252	LATCH
	605	905250	DOOR
	606	905248	SIDE
	608	905251	HINGE
	609	1342455	M5 X 10 PAN HEAD SCREW
	610	905249	BASE
	611	907008	UPPER GUARD
	611B	1342455	M5 X 10 PAN HEAD SCREW
	611C	1349903	M5 FLANGE HEX NUT
	611D	1341945	FLAT WASHER
	611E	1243321	M6 X 10 PN HD SCREW
	612	907245	DRIVEN PULLEY ASSY, INCL.:
	613	905240	M8 X 8 HEX SOC HD SCR
	614	905253	MOTOR
	614A	905255	BELT
	615	1342579	KEY
	616	907246	MOTOR PULLEY ASSY, INCL.:
	617	905240	M8 X 8 HEX SOC HD SCR
	618	905244	MOTOR BRACKET
	619	1349177	M8 X 1.25 X 16 CARROAGE BOLT
	621	1348301	M8 X 1.25 HEX FLANGE NUT
	622	905243	SHAFT
	623	1246058	C RING
	624	1246079	M8 X 40 HEX HD SCREW
	625	1243398	M8 HEX NUT
	626	907010	WASHER
	627	907011	INSULATOR
	628	1246079	M8 X 40 HEX HD SCREW
	629	1246157	M8 LOCK WASHER
	630	1243526	M8 FLAT WASHER
	631	1348301	M8 X 1.25 HEX FLANGE NUT

STANDARD SAFETY EQUIPMENT

In order to promote tool safety, Delta Machinery strictly enforces the policy of repairing or replacing any damaged or missing standard safety equipment on machines presented to Delta Authorized Service Centers for service/repairs. Any product that is presented to a Delta Authorized Service Centers for repairs which contains missing or damaged standard safety equipment will have that equipment repaired or replaced and the customer will be charged for any such service/repairs. Customers can avoid such charges only if the missing safety component is supplied to the service center at the time of repair.

This parts list is provided to aid in obtaining service parts. Copies of the instruction and maintenance literature can be obtained through the Delta Technical Publications Department or through your service outlet.