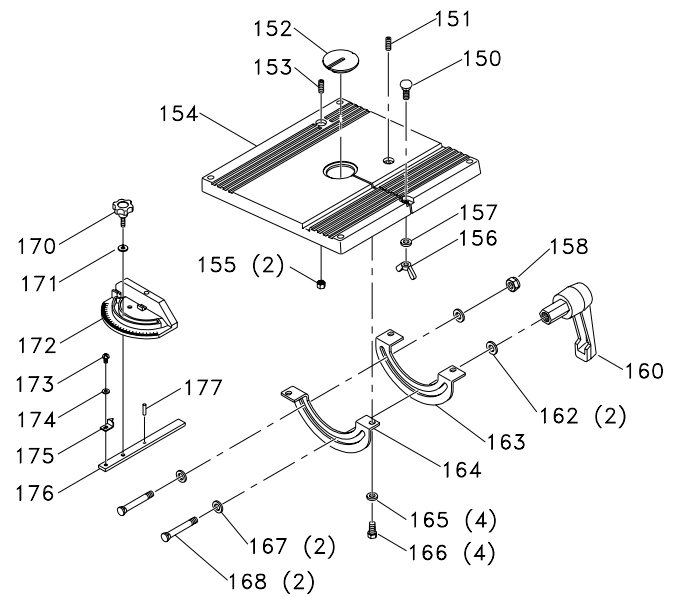
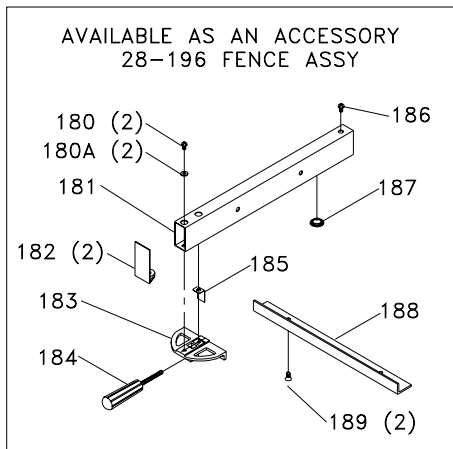
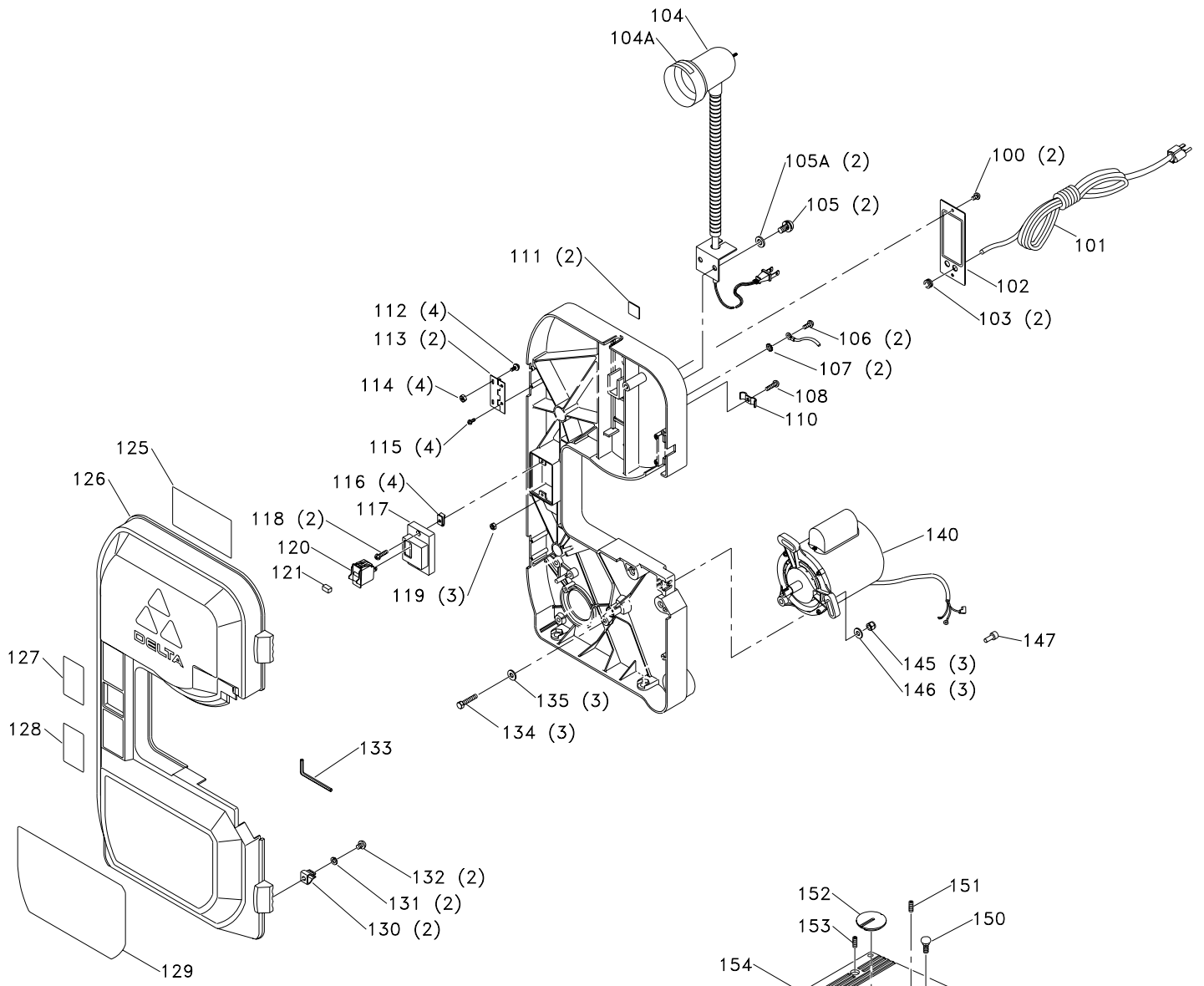


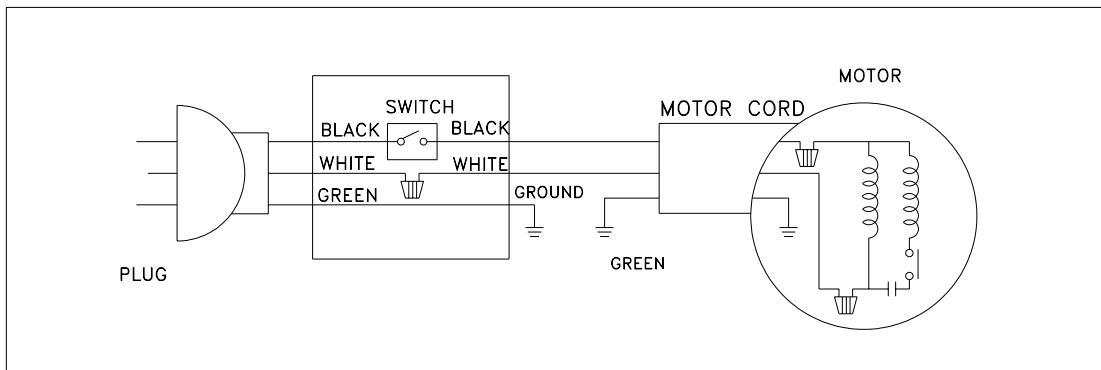
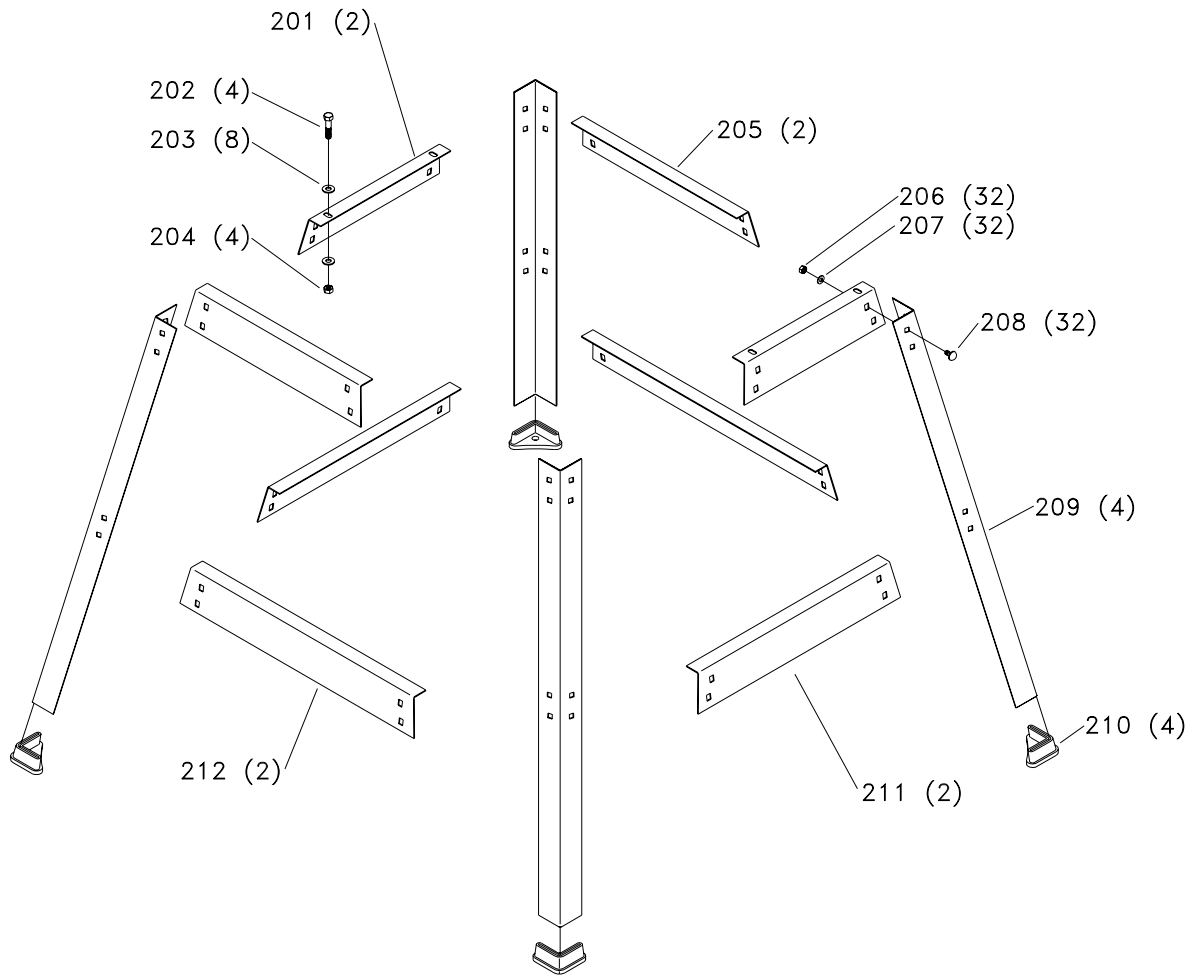
# REPLACEMENT PARTS

Ref.			Ref.		
<u>No.</u>	<u>Part No.</u>	<u>Description</u>	<u>No.</u>	<u>Part No.</u>	<u>Description</u>
1	1348911	KNOB W/SCREW	41	1341061	EXT RET RING
2	1348910	INDICATOR	42	1348916	M15 FLAT WASHER
3	1348909	SPRING	43	1343642	M6 LOCK NUT
4	1349754	TENSION LABEL	44	1348904	TIRE
5	1348914	LOCK NUT	45	1348892	WHEEL
6	1348913	SPECIAL WASHER	46	920-04-010-7272	BALL BEARING
7	1348912	ADJUSTABLE NUT	47	1348891	COLLAR
8	1348901	KNOB	48	1348925	SPECIAL SCREW
9	1243496	M10 HEX NUT	49	1348893	BELT
10	1348915	FLAT SPRING	50	1348894	PULLEY
11	1246002	M6 X 12MM CHEESE HD SCREW	51	1340622	M6.4 FLAT WASHER
12	1348899	POINTER	52	1330151	M6 X 35MM HEX HD SCREW
13	1243476	M12 HEX NUT	53	1348895	SHAFT
14	1348917	M12 FLAT WASHER	54	1246056	M6 X 12MM HEX SOC HD SCREW
15	1246084	M6 X 18MM HEX SOC SET SCREW	55	904-01-071-5744	FLAT WASHER
16	1342697	M6 SQUARE NUT	56	1343866	KEY
17	1246030	M12 X 35MM HEX HD SCREW	57	1348898	PULLEY
	1348897	FRAME	58	1348896	LATCH POST
20	1348888	M4 X 6MM HEX SOC HD SCREW	60	1243339	M6 X 8MM HEX SOC SET SCREW
21	1349123	GEAR	61	1348905	BRUSH
22	1348932	GEAR KNOB	62	1348900	BRUSH HOLDER
23	1246056	M6 X 12MM HEX SOC HD SCREW	63	1246013	M6 X 12MM HEX HD SCREW
24	1348929	COVER	64	904-01-031-4993	FLAT WASHER
25	1348931	UPPER GUIDE	65	1341046	M6 X 8MM CHEESE HD SCREW
26	1342697	M6 SQUARE NUT	66	1348907	TENSION BRACKET
27	1246056	M6 X 12MM HEX SOC HD SCREW	67	1348906	SHAFT
28	1348930	BLADE GUARD	68	1348916	M15 FLAT WASHER
29	1246084	M6 X 18MM HEX SOC SET SCREW	69	1348916	M15 FLAT WASHER
30	1246045	M6 X 10MM CHEESE HD SCREW	70	n 902312	UNIT HARDWARE PACK
31	1348928	GUIDE HOLDER			
32	1348927	GUIDE BLOCK			
33	1348926	SHAFT			
34	1346630	BALL BEARING			
35	1348890	BASE			
36	1348917	M12 FLAT WASHER			
37	1243476	M12 HEX NUT			
40	OPTIONAL	BLADE			



# REPLACEMENT PARTS

Ref.			Ref.		
<u>No.</u>	<u>Part No.</u>	<u>Description</u>	<u>No.</u>	<u>Part No.</u>	<u>Description</u>
100	1313227	M4 X 12MM CHEESE HD SCREW	160	1348936	HANDLE ASSY
101	1348923	CORD	162	1343944	M10 FLAT WASHER
102	n 902313	SWITCH MOUNTING PLATE	163	1348934	TABLE BRACKET (RH)
103	1348921	STRAIN RELIEF	164	1348933	TABLE BRACKET (LH)
104	1348937	LIGHT ASSY, INCL:	165	904-01-010-1603	1/4" FLAT WASHER
104A	1349968	WARNING LABEL	166	436-10-112-0002	M6 X 16MM HEX HD SCREW
105A	1243520	M6.1 LOCK WASHER	167	1348917	M12 FLAT WASHER
105	1246002	M6 X 12MM CHEESE HD SCREW	168	1349124	SPECIAL BOLT
106	1243394	M5 X 10MM CHEESE HD SCREW	*	1348947	MITER GAGE ASSY, CONST OF:
107	1320101	M5.3 EXT TOOTH WASHER	170	1348943	KNOB
108	1246047	M5 X 16MM CHEESE HD SCREW	171	1340608	M6.4 FLAT WASHER
110	1348920	CORD CLAMP	172	1348942	BODY
111	1348946	LIGHT CORD CLAMP	173	1246088	M5 X 6MM CHEESE HD SCREW
112	1348935	SPECIAL SCREW	174	1246102	M5.3 FLAT WASHER
113	1348908	HINGE	175	1348940	POINTER
114	1243456	M6 HEX NUT	176	1348939	BAR
115	1341046	M6 X 8MM CHEESE HD SCREW	177	905-04-010-4046	PIN
116	1348919	SPECIAL NUT			
117	1348918	SWITCH BOX			ACCESSORIES: (Optional)
118	1342450	M4 X 26MM CHEESE HD SCREW			
119	1243395	M5 HEX NUT	*	28-196	FENCE ASSY, CONST OF:
120	1343759	SWITCH, INCL:	180	1246047	M5 X 16MM CHEESE HD SCREW
121	1343758	KEY	180A	1343533	M5 LOCK WASHER
125	1349753	BLADE CHART	181	1349110	FENCE
126	1348902	COVER	182	1349112	CAP
127	902773	WARNING LABEL	183	1348949	BASE
128	902779	WARNING LABEL	184	1349113	HANDLE
129	1349749	FEATURE PLATE	185	1349122	TENSION PLATE
130	1348903	CLAMP	186	1246002	M6 X 12MM CHEESE HD SCREW
131	904-02-020-1702	1/4" LOCK WASHER	187	1349111	GLIDE PAD
132	1313180	M5 X 12MM CHEESE HD SCREW	188	1348948	RAIL
133	428-06-101-0003	2.5MM HEX WRENCH	189	1342035	M6 X 12MM FLAT HD SCREW
134	1246079	M8 X 40MM HEX HD SCREW			
135	1344330	M8 FLAT WASHER	*		NOT SHOWN ASSEMBLED
140	1348924	MOTOR ASSY, INCL:	**		NOT SHOWN
*	1349121	CAPACITOR (150 M.F.)			
145	1345382	M8 LOCK NUT			
146	1344330	M8 FLAT WASHER			
147	1320175	CONNECTOR			
150	1348889	M6 X 30MM CARRIAGE HD SCREW			
151	1344036	M6 X 35MM HEX SOC SET SCREW			
152	1348945	INSERT			
153	1246124	M6 X 25MM HEX SOC SET SCREW			
154	1348944	TABLE			
155	1243456	M6 HEX NUT			
156	1313281	M6 WING NUT			
157	1340608	M6.4 FLAT WASHER			
158	436-10-079-0007	M10 LOCK NUT			



# REPLACEMENT PARTS

**Ref.**

<b><u>No.</u></b>	<b><u>Part No.</u></b>	<b><u>Description</u></b>
*	1349114	STAND ASSY, CONST OF:
201	1349117	UPPER BRACKET (SHORT)
202	1246093	M8 X 35MM HEX HD SCREW
203	1344330	M8 FLAT WASHER
204	1243398	M8 HEX NUT
205	1349119	UPPER BRACKET (LONG)
206	1243398	M8 HEX NUT
207	904-01-010-1606	3/8" FLAT WASHER
208	1313325	M8 X 20MM CARRIAGE HD SCREW
209	1349115	LEG
210	427-99-048-0001	PLASTIC FOOT
211	1349116	BOTTOM BRACKET (SHORT)
212	1349118	BOTTOM BRACKET (LONG)
213	n 904456	STAND HARDWARE PACK

\* NOT SHOWN ASSEMBLED

---

## STANDARD SAFETY EQUIPMENT

In order to promote tool safety, Delta Machinery strictly enforces the policy of repairing or replacing any damaged or missing standard safety equipment on machines presented to Delta Authorized Service Centers for service/repairs. Any product that is presented to a Delta Authorized Service Centers for repairs which contains missing or damaged standard safety equipment will have that equipment repaired or replaced and the customer will be charged for any such service/repairs. Customers can avoid such charges only if the missing safety component is supplied to the service center at the time of repair.

*This parts list is provided to aid in obtaining service parts. Copies of the instruction and maintenance literature can be obtained through the Delta Technical Publications Department or through your service outlet.*