

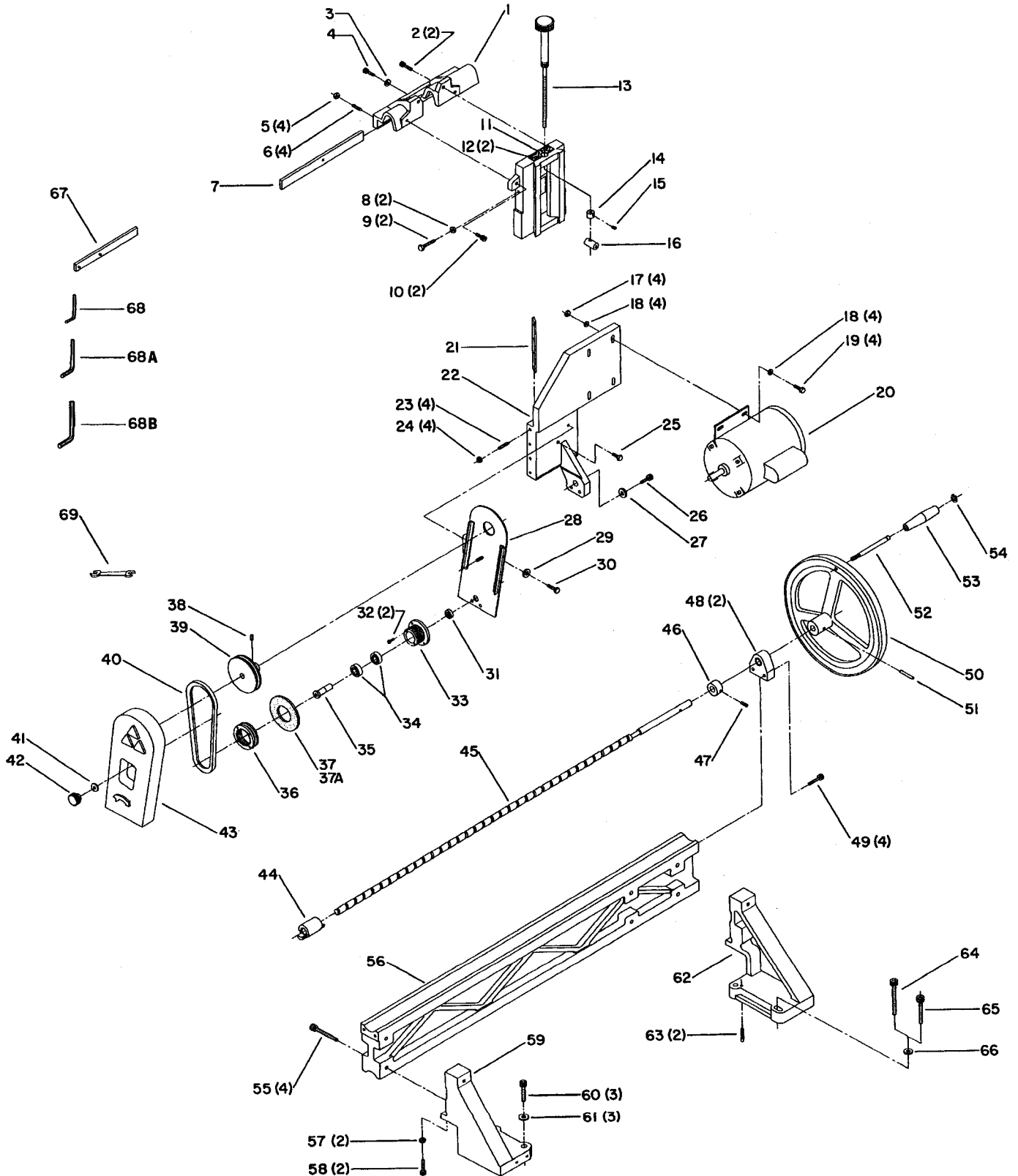
22-840 BASIC GRINDING & JOINTING ATTACHMENT

**22-841 ATTACHMENT PARTS
(For Straight Knife Cutterheads)**
**22-842 ATTACHMENT PARTS
(For Helical Carbide Cutterheads)**

P-7-2

Part No. 1340206

Revised: 5/4/95



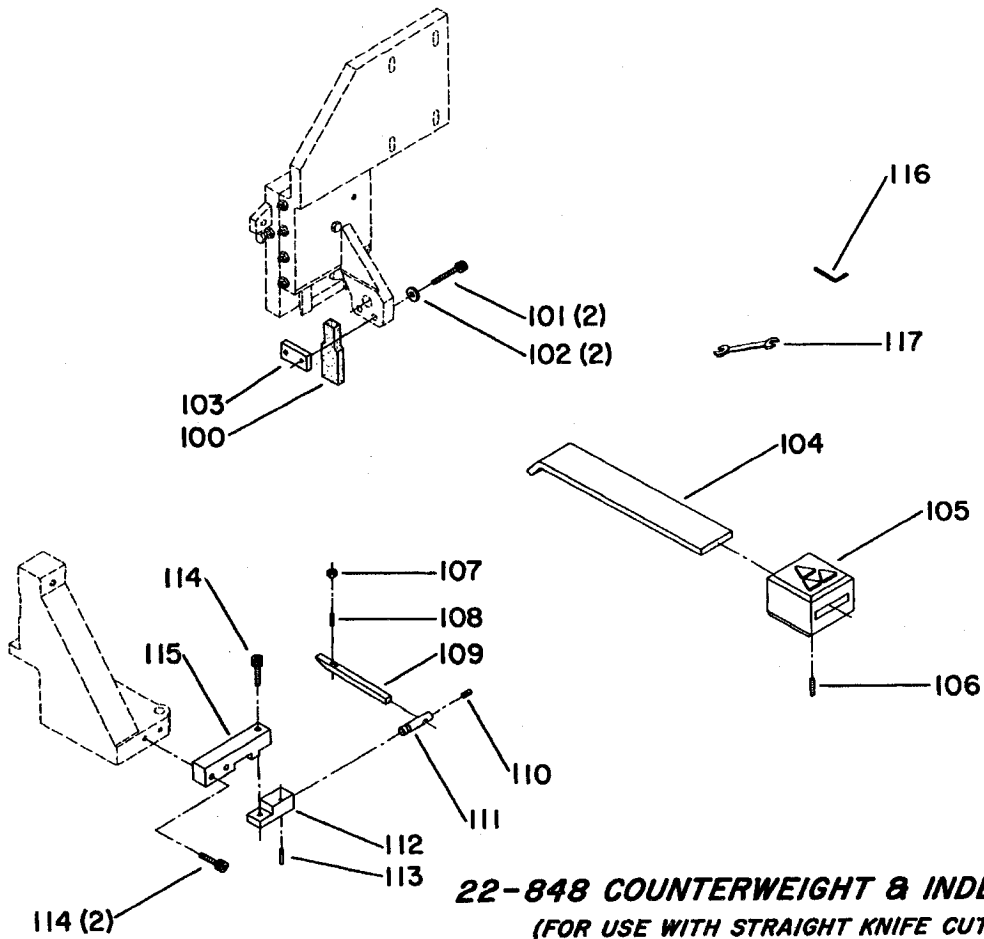
REPLACEMENT PARTS

<u>REF. NO.</u>	<u>PART NUMBER</u>	<u>DESCRIPTION</u>	<u>REF. NO.</u>	<u>PART NUMBER</u>	<u>DESCRIPTION</u>
1	1330016	SLIDE BRACKET	37A	22-845	DIAMOND GRINDING WHEEL (FOR USE WITH HELICAL CARBIDE CUTTER-HEADS)
2	1246054	(DIN 912) M8 X 20MM HEX SOC HD SCR	38	1243339	(DIN 916) M6 X 8MM HEX SOC SET SCR
3	1340608	M6.4 FLAT WASHER	39	1330018	PULLEY
4	1243336	(DIN 912) M6 X 20MM HEX SOC HD SCR	40	22-847	V-BELT
5	1243456	(DIN 934) M6 HEX NUT	41	1243526	(DIN 125) M8.4 FLAT WASHER
6	1330048	(DIN 914) M6 X 20MM HEX SOC SET SCR	42	422-29-138-0001	KNOB
7	1330021	GIB	43	1330019	BELT COVER
8	1243456	(DIN 934) M6 HEX NUT	44	1330041	LEAD SCR NUT
9	1246128	(DIN 933) M6 X 40MM HEX HD SCR	45	1330040	LEAD SCR
10	1246054	(DIN 912) M8 X 20MM HEX SOC HD SCR	46	428-07-088-0006	COLLAR
11	1330160	DEPTH PLATE	47	1246009	(DIN 913) M8 X 10MM HEX SOC SET SCR
12	422-28-079-0015	RIVIT	48	1330028	BEARING BLOCK WITH BUSHING
13	1330035	ADJUSTMENT KNOB, INCL;	49	1243530	(DIN 912) M8 X 30MM HEX SOC HD SCR
**	1246184	(DIN 1481) M3 X 20MM SPRING PIN	50	1330047	HANDWHEEL
14	1330044	STOP COLLAR	51	1246081	(DIN 1481) M6 X 40MM SPRING PIN
15	1243339	(DIN 916) M6 X 8MM HEX SOC SET SCR	52	428-06-111-0001	STUD
16	1330022	RAISING & LOWERING NUT	53	428-06-067-0001	HANDLE
17	1243456	(DIN 934) M6 HEX NUT	54	1246026	EXT RET RING
18	904-01-010-1604	5/16" FLAT WASHER	55	1246198	(DIN 912) M10 X 60MM HEX SOC HD SCR
19	1246015	(DIN 933) M6 X 20MM HEX HD SCR	56	1330014	SUPPORT BAR
20	62-840	MOTOR 115/230V 1 PHASE 60HZ	57	1243398	(DIN 934) M8 HEX NUT
21	1330043	SLIDE GIB	58	1243530	(DIN 912) M8 X 30MM HEX SOC HD SCR
22	1330017	MOTOR BRACKET	59	1330012	SUPPORT-LEFT
23	1246127	(DIN 916) M6 X 30MM HEX SOC SET SCR	60	1246096	(DIN 912) M10 X 40MM HEX SOC HD SCR
24	1243456	(DIN 934) M6 HEX NUT	61	1243502	(DIN 125) M10 FLAT WASHER
25	1246034	(DIN 933) M8 X 20MM HEX HD SCR	62	1330013	SUPPORT-RIGHT
26	1246054	(DIN 912) M8 X 20MM HEX SOC HD SCR	63	1330167	PIN
27	422-30-079-0006	WASHER	64	1246072	(DIN 912) M10 X 80MM HEX SOC HD SCR (SEE NOTE A)
28	1330020	REAR GUARD	65	1246198	(DIN 912) M10 X 60MM HEX SOC HD SCR (SEE NOTE A)
29	1330045	WASHER	66	1243502	(DIN 125) M10 FLAT WASHER
30	1246139	(DIN 933) M8 X 18MM HEX HD SCR	67	1330038	SPANNER WRENCH
31	422-31-104-0006	SPACER	68	428-06-101-0002	3MM HEX WRENCH
*	1330039	PULLEY ASSY, CONST OF;	68A	432-07-101-0004	5MM HEX WRENCH
32	1246177	(DIN 84) M4 X 6MM CHEESE HD SCR	68B	422-30-101-0002	8MM HEX WRENCH
33	1330056	HUB	69	428-06-101-0001	10 X 13MM OPEN END WRENCH
34	422-31-139-0002	BALL BEARING			
35	1330058	ARBOR			
36	1330057	DRIVEN PULLEY			
37	22-843	GRINDING WHEEL (FOR USE WITH STRAIGHT KNIFE CUTTERHEADS)			

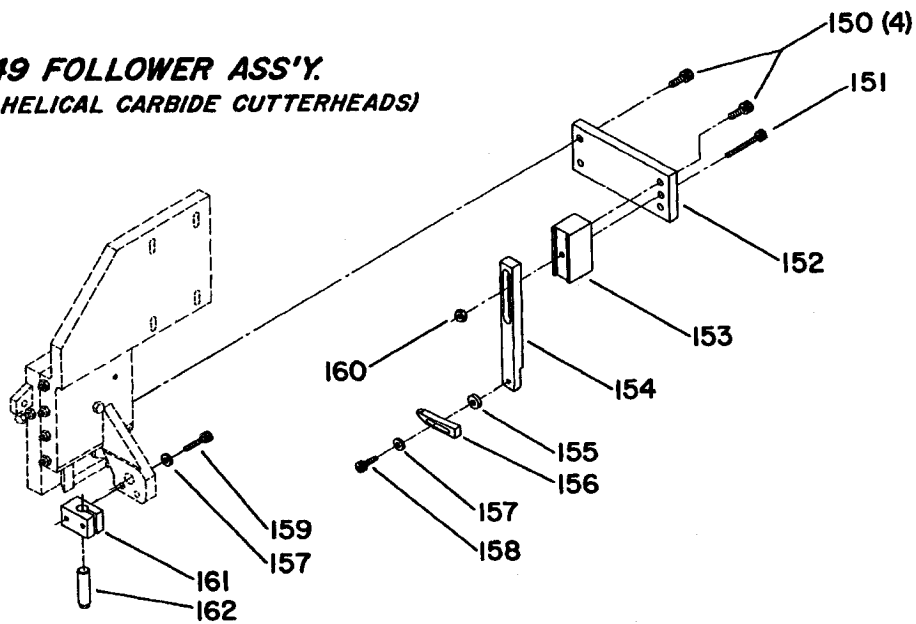
* NOT SHOWN ASSEMBLED

** NOT SHOWN

NOTE A: UNITS WITH SERIAL NUMBERS AS FOLLOWS, RC-63N - LOWER THAN 30, RC-63D - LOWER THAN 182, RC-51 - LOWER THAN 688 HAVE ADAPTER PLATES ON TOP OF THE LEFT AND RIGHT HAND BEARING BLOCKS WHICH REQUIRES THE USE OF A LONGER (80MM) MOUNTING BOLT AT THIS LOCATION ONLY.



22-849 FOLLOWER ASS'Y.
 (FOR USE WITH HELICAL CARBIDE CUTTERHEADS)



REPLACEMENT PARTS

<u>REF. NO.</u>	<u>PART NUMBER</u>	<u>DESCRIPTION</u>
100	22-844	JOINTING STONE
*	22-848	COUNTERWEIGHT & INDEXING ASSY (FOR USE WITH STRAIGHT KNIFE CUT- TERHEADS), CONST OF;
101	1243331	(DIN 912) M6 X 40MM HEX SOC HD SCR
102	904-01-010-1604	5/16" FLAT WASHER
103	1330030	JOINTING STONE HOLDER
104	1330032	COUNTERWEIGHT PLATE
105	1330031	COUNTERWEIGHT
106	1246011	(DIN 913) M8 X 20MM HEX SOC SET SCR
107	1243569	(DIN 934) M4 HEX NUT
108	1330050	(DIN 913) M4 X 16MM HEX SOC SET SCR
109	1330029	INDEX FINGER
110	1246009	(DIN 913) M8 X 10MM HEX SOC SET SCR
111	1330034	SHAFT
112	1330033	INDEX BLOCK
113	1246119	(DIN 1481) M3 X 16MM SPRING PIN
114	1243530	(DIN 912) M8 X 30MM HEX SOC HD SCR
115	1330159	BRACKET
116	1330154	2MM HEX WRENCH
117	1330153	6 X 7MM OPEN END WRENCH
*	22-849	FOLLOWER ASSY (FOR USE WITH HELI- CAL CARBIDE CUTTERHEADS), CONST OF;
150	1246100	(DIN 912) M10 X 20MM HEX SOC HD SCR
151	1246006	(DIN 912) M8 X 50MM HEX SOC HD SCR
152	1330023	SUPPORT PLATE
153	1330024	SLIDE BLOCK
154	1330025	FINGER SUPPORT
155	1330046	SPACER
156	1330026	FINGER
157	904-01-010-1604	5/16" FLAT WASHER
158	1246104	(DIN 912) M6 X 25MM HEX SOC HD SCR
159	1246070	(DIN 912) M6 X 30MM HEX SOC HD SCR
160	1243398	(DIN 934) M8 HEX NUT
161	1330027	STONE HOLDER
162	22-846	DIAMOND JOINTING STONE

* NOT SHOWN ASSEMBLED

STANDARD SAFETY EQUIPMENT

In order to promote tool safety, Delta International Machinery Corp. strictly enforces the policy of repairing or replacing any damaged or missing standard safety equipment on machines presented to Delta Authorized Service Centers for service/repair. Any product which is presented to a Delta Authorized Service Center for repairs which contains missing or damaged standard safety equipment will have that equipment repaired or replaced and the customer will be charged for any such service/repairs. Customers can avoid such charges only if the missing safety component is supplied to the service center at the time of repair.

This parts list is provided to aid in obtaining service parts. Copies of the instruction and maintenance literature can be obtained through the Delta Technical Publications Department or through your local service outlet.