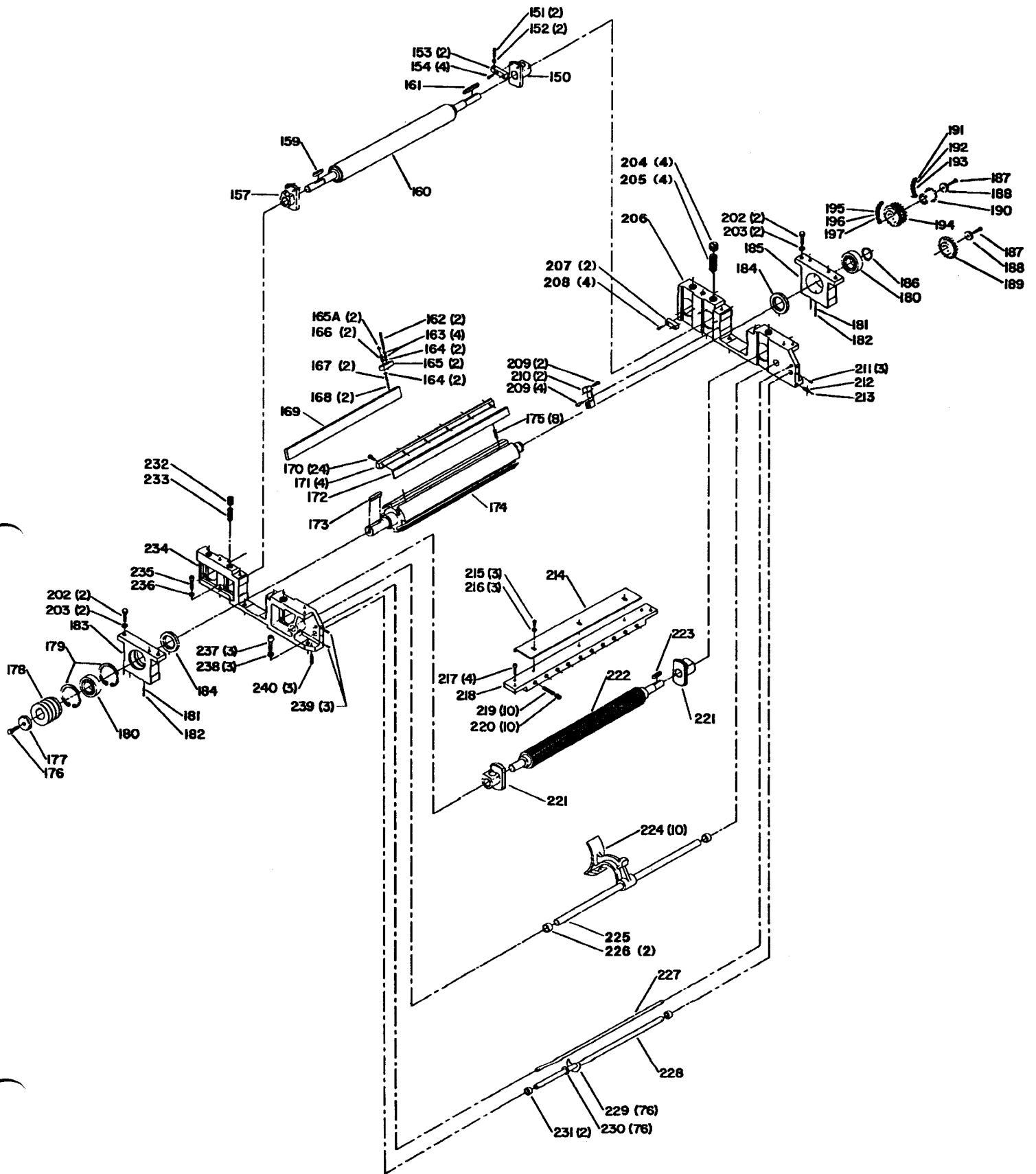


REPLACEMENT PARTS

REF			REF		
<u>NO</u>	<u>PART NUMBER</u>	<u>DESCRIPTION</u>	<u>NO</u>	<u>PART NUMBER</u>	<u>DESCRIPTION</u>
1	428-07-026-0001	Dust Collector	64	428-07-027-0001	Spring Regulator
2	428-07-116-0006	Gasket	65	1243456	(Din 934) M6 Hex Nut
3	1243379	(Din 912) M6 x 10mm Soc Hd Screw	66	1246175	(Din 931) M6 x 30mm Hex Hd Screw
4	1085187	"Danger Label"	67	428-07-122-0009	Spring
5	428-07-031-0020	Cover	68	428-07-106-0015	Belt Tension Shaft
6	1243567	(Din 912) M6 x 35mm Soc Hd Screw	69	432-07-138-0005	Handle
7	428-07-116-0005	Gasket	*	428-07-351-0001	Gear Box Assembly, Const Of:
8	428-07-072-0009	Chip Deflector Plate	70	428-07-112-0006	Tilt Nut
9	1330779	Cover	71	428-07-071-0003	(Din 1481) 8 x 60mm Roll Pin
10	1330433	Warning Label	72	428-07-071-0004	Spring Pin (Install with Loctite)
11	1246045	(Din 84) M6 x 10mm Cheese Hd Screw	73	428-07-031-0004	Rear Guard Box Cover
12	428-07-071-0012	Pin	74	1246143	(Din 1481) 8 x 40mm Roll Pin
13	1246182	(Din 1481) 3 x 8mm Roll Pin	75	428-07-074-0003	Plug
14	1246054	(Din 912) M8 x 20mm Soc Hd Screw	76	920-04-020-5348	Bearing
15	422-29-079-0001	Washer	77	428-07-051-0005	Gear
15A	1243526	(Din 125) 8mm Flat Washer	78	428-07-079-0005	Key
16	428-07-071-0013	Hinge Pin	79	428-07-116-0003	Seal
17	428-07-059-0007	Hinge - Left	80	428-07-116-0002	O-Ring
18	1243398	(Din 934) M8 Hex Nut	81	428-07-079-0004	Key
19	428-07-059-0006	Hinge - Right	82	428-07-051-0003	Gear
20	1246034	(Din 933) M8 x 20mm Hex Hd Screw	83	428-07-051-0004	Gear
21	428-07-005-0003	Upper Base	84	428-07-051-0002	Gear
22	422-29-079-0015	Washer	85	428-07-116-0004	O-Ring
23	1243502	(Din 125) 10mm Flat Washer	86	920-04-022-4014	Bearing
24	1246018	(Din 933) M10 x 25mm Hex Hd Screw	87	428-07-051-0001	Gear
25	428-07-055-0005	Vertical Table Guide	88	428-07-104-0004	Spacer
26	1246149	(Din 913) M10 x 16mm Hex Soc Set Screw	89	428-07-017-0004	Bearing
27	1246179	(Din 7980) 12mm Lockwasher	90	428-07-116-0001	O-Ring
28	1246172	(Din 912) M12 x 45mm Soc Hd Screw	91	428-07-056-0001	Gasket
29	428-07-059-0008	Lower Hinge	92	1243331	(Din 912) M6 x 40mm Soc Hd Screw
30	1246034	(Din 933) M8 x 20mm Hex Hd Screw	93	1246055	(Din 912) M6 x 50mm Soc Hd Screw
46	1246013	(Din 933) M6 x 12mm Hex Hd Screw	94	428-07-031-0003	Gear Box - Pulley Side
47	1243456	(Din 934) M6 Hex Nut	95	1246070	(Din 912) M6 x 30mm Soc Hd Screw
48	904-01-010-1604	1/4" Flat Washer	96	428-07-074-0002	Oil Level Plug (For Three Phase Models Only)
49	428-07-089-0015	Support	97	428-07-074-0005	Plug (For Single Phase Models Only)
50	428-07-013-0001	Switch Box	98	428-07-104-0003	Washer
51	428-07-031-0017	Switch Box Cover	99	1246048	(Din 963) M8 x 20mm Flat Hd Screw
52	901-06-133-1263	#10-24 x 3/8" Type F Pan Hd Screw	100	428-07-130-0002	Pulley (For Three Phase Models Only)
53	1246130	(Din 84) M6 x 16mm Cheese Hd Screw	101	428-07-130-0006	Pulley (For Single Phase Models Only)
54	1330777	Panel	102	428-07-104-0005	Washer
55	438-01-017-0173	Switch w/On Button	103	1246049	(Din 963) M8 x 25mm Flat Hd Screw
56	438-01-017-0172	Switch w/Off Button	105	428-07-350-0001	Knife Gage, Incl:
57	1246090	(Din 84) M6 x 30mm Cheese Hd Screw	106	1246185	(Din 1481) 5 x 40mm Roll Pin
58	428-07-104-0023	Spacer	110	1330270	Gage Block
59	1246045	(Din 84) M6 x 10mm Cheese Hd Screw			
60	428-07-123-0001	Panel	*	NOT SHOWN ASSEMBLED	
61	428-07-071-0004	Spring Pin			
62	428-07-122-0006	Spring			
63	1246114	(Din 934) M16 Hex Nut			



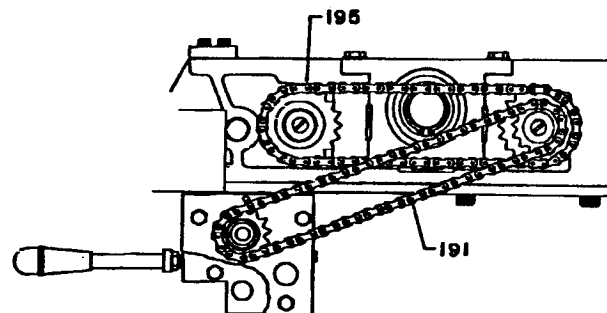
REPLACEMENT PARTS

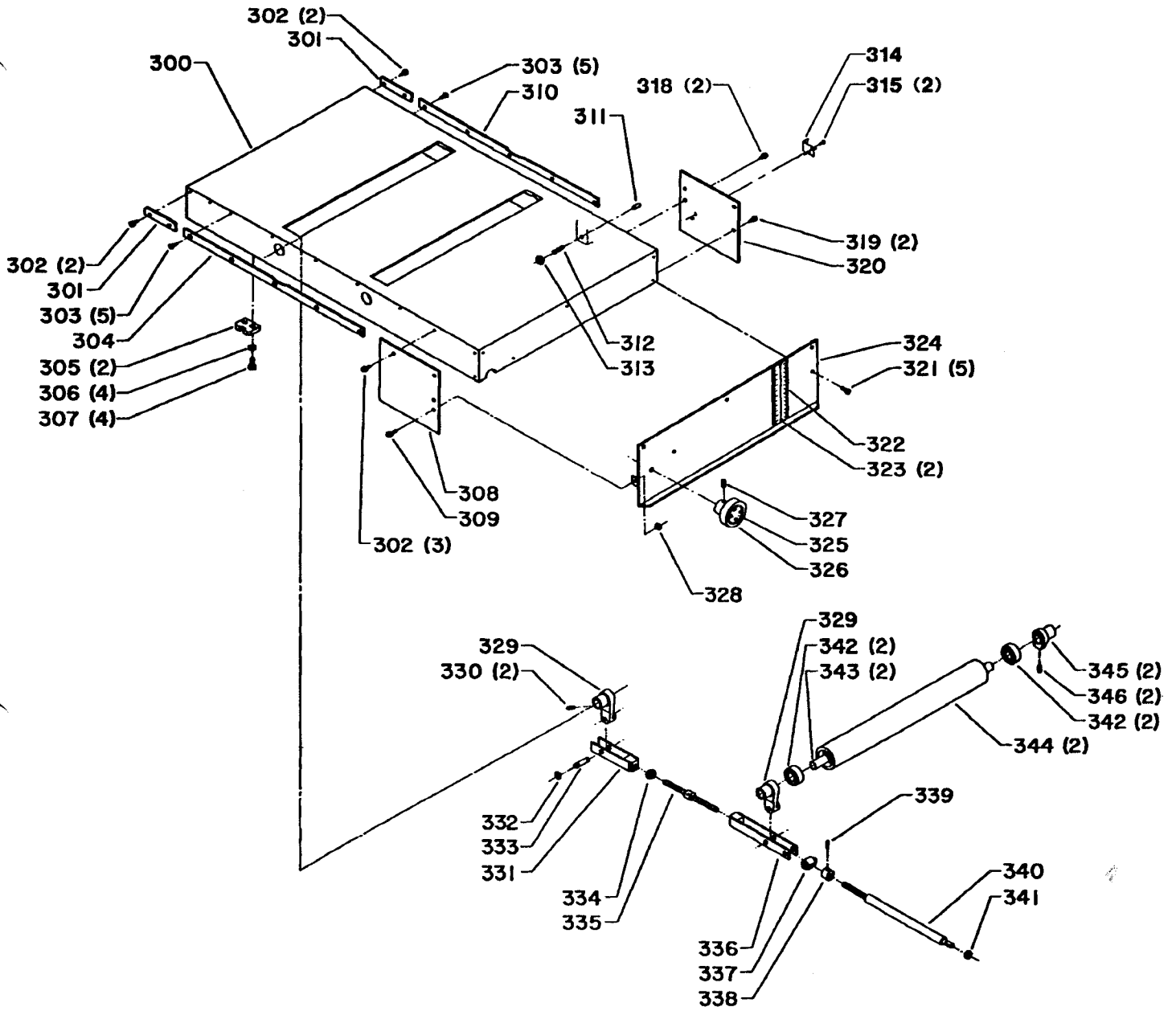
REF NO	PART NUMBER	DESCRIPTION	REF NO	PART NUMBER	DESCRIPTION
150	428-07-010-0003	Right Block w/Bushing	202	1246019	(Din 933) M10 x 35mm Hex Hd Screw
151	1246044	(Din 913) M8 x 30mm Hex Soc Set Screw	203	1243360	(Din 7980) 10mm Lockwasher
152	1243398	(Din 934) M8 Hex Nut	204	428-07-112-0003	Adjusting Nut
153	428-07-088-0002	Limitter	205	428-07-122-0003	Spring
154	1246056	(Din 912) M16 x 12mm Soc Hd Screw	206	428-07-089-0008	Support - Right Side
157	428-07-010-0005	Block w/Bushing	207	428-07-088-0003	Stop
159	428-07-079-0001	Key	208	1246056	(Din 912) M6 x 12mm Soc Hd Screw
160	1330778	Outfeed Roller - Inboard	209	1246122	(Din 912) M8 x 15mm Soc Hd Screw
161	428-07-079-0010	Key	210	428-07-089-0020	Support
162	428-07-111-0003	Stud (Install with Loctite)	211	1246144	(Din 914) M6 x 12mm Hex Soc Set Screw
163	1243456	(Din 934) M6 Hex Nut	212	428-07-104-0024	Cable Lock
164	904-01-010-1604	1/4' Flat Washer	213	1246137	(Din 913) M5 x 8mm Hex Soc Set Screw
165	428-07-089-0019	Rear Chipbreaker Support	214	428-07-072-0005	Chipbreaker Limiter Plate
165A	1243398	(Din 934) M8 Hex Nut	215	1246078	(Din 933) M8 x 12mm Hex Hd Screw
166	1246044	(Din 913) M8 x 30mm Hex Soc Set Screw	216	1243526	(Din 125) 8mm Flat Washer
167	1330697	Spring	217	1246053	(Din 912) M8 x 25mm Soc Hd Screw
168	1246109	(Din 1481) 5 x 16mm Roll Pin	218	428-07-089-0010	Chipbreaker Support
169	428-07-004-0005	Rear Pressure Bar	219	428-07-122-0010	Spring
*	428-07-312-0003	Cutterhead Assembly, Const Of:	220	428-07-112-0021	Chipbreaker Adjusting Screw
170	428-07-112-0001	Locking Screw	221	428-07-312-0002	Block w/Bushing
171	428-07-004-0006	Knife Locking Bar	222	428-07-080-0003	Infeed Roller
172	22-466	Set of Four (4) Knives	223	428-07-079-0002	Key
173	428-07-079-0003	Key	224	428-07-036-0002	Chipbreaker
174	428-07-012-0002	Cutterhead	225	428-07-106-0007	Chipbreaker Shaft
175	428-07-122-0001	Spring	226	428-07-104-0028	Spacer
176	1330667	(Din 933) M12 x 30mm Hex Hd Screw	227	428-07-108-0004	Support Rod
177	428-07-104-0009	Washer	228	428-07-108-0005	Anti-Kick Back Rod
178	428-07-130-0001	Cutterhead Pulley	229	428-06-047-0001	Anti-Kick Back Finger
179	1246068	(Din 472) 80i Internal Retaining Ring	230	428-06-104-0006	Washer
180	428-07-017-0001	Bearing	231	428-07-104-0027	Spacer
181	1246166	(Din 914) M5 x 12mm Hex Soc Set Screw	232	428-07-112-0001	Adjusting Nut
182	1246043	(Din 916) M5 x 10mm Hex Soc Set Screw	233	428-07-122-0002	Spring
183	428-07-010-0002	Bearing Block - Left	234	428-07-089-0009	Support - Left Side
184	428-07-054-0002	Bearing Guard	235	1246052	(Din 912) M10 x 35mm Soc Hd Screw
185	428-07-010-0001	Bearing Block - Right	236	1243360	(Din 7980) 10mm Lockwasher
186	1246069	(Din 471) 40e External Retaining Ring	237	1246057	(Din 912) M12 x 35mm Soc Hd Screw
187	1246049	(Din 963) M8 x 25mm Flat Hd Screw	238	1246179	(Din 7980) 12mm Lockwasher
188	428-07-104-0001	Washer	239	1246144	(Din 914) M6 x 12mm Hex Soc Set Screw
189	428-07-134-0005	Sprocket - Infeed Roller	240	1246060	(Din 1481) 8 x 30mm Roll Pin
190	428-07-134-0008	Sprocket Outfeed Roller (Inboard)			
191	428-07-023-0006	Table Elevating Drive Chain (65 Pitches), Incl: (See Service Note A)			
192	428-07-135-0003	Master Link			
193	428-07-135-0005	Offset Link			
194	428-07-134-0006	Sprocket - Outfeed Roller (Inboard)			
195	428-07-023-0004	Infeed Roller Drive Chain (59 Pitches), Incl: (See Service Note A)			
196	428-07-135-0007	Master Link			
197	428-07-135-0001	Offset Link			

* NOT SHOWN ASSEMBLED

SERVICE NOTES:

A - See diagram below for correct chain selection.

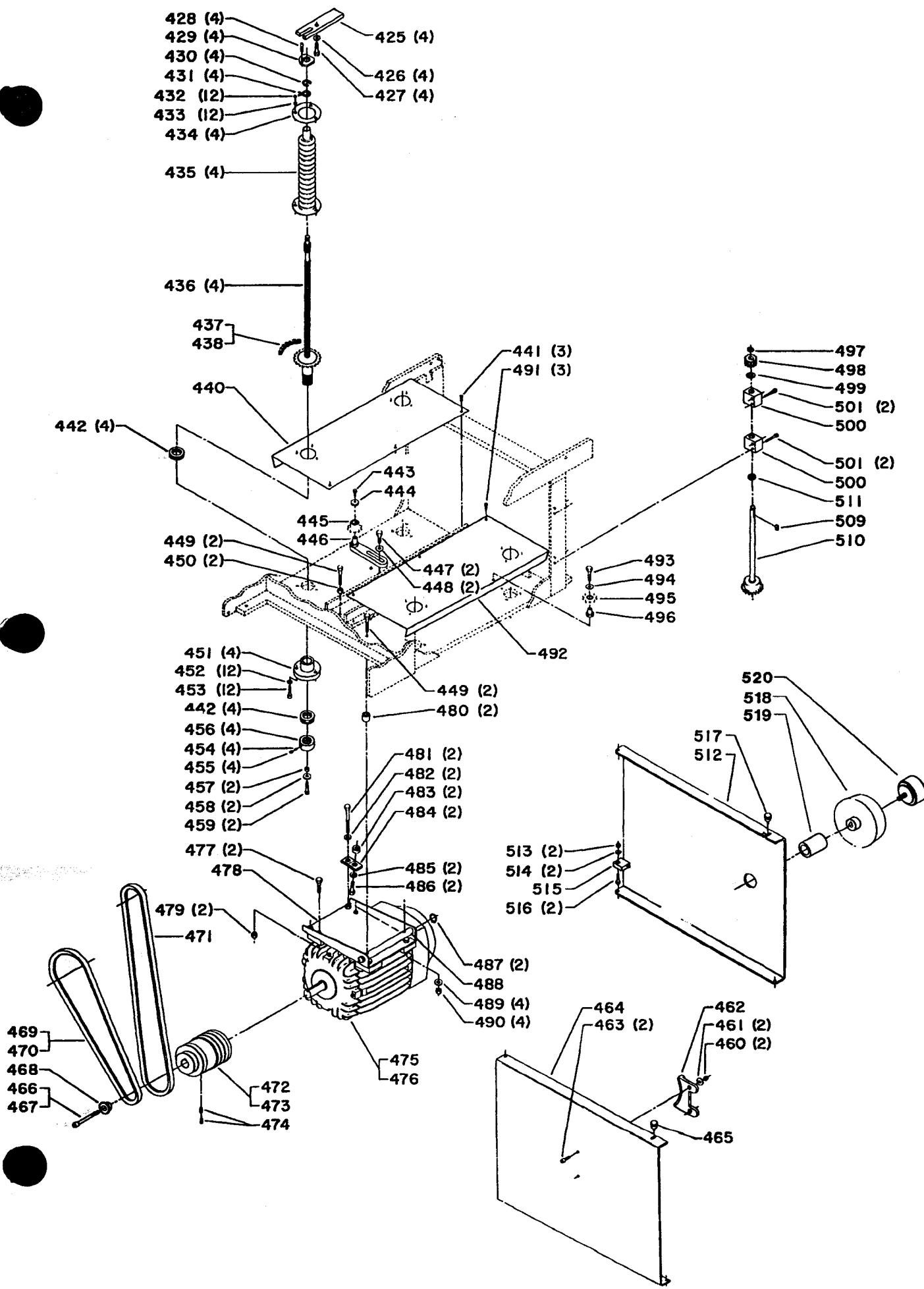




REPLACEMENT PARTS

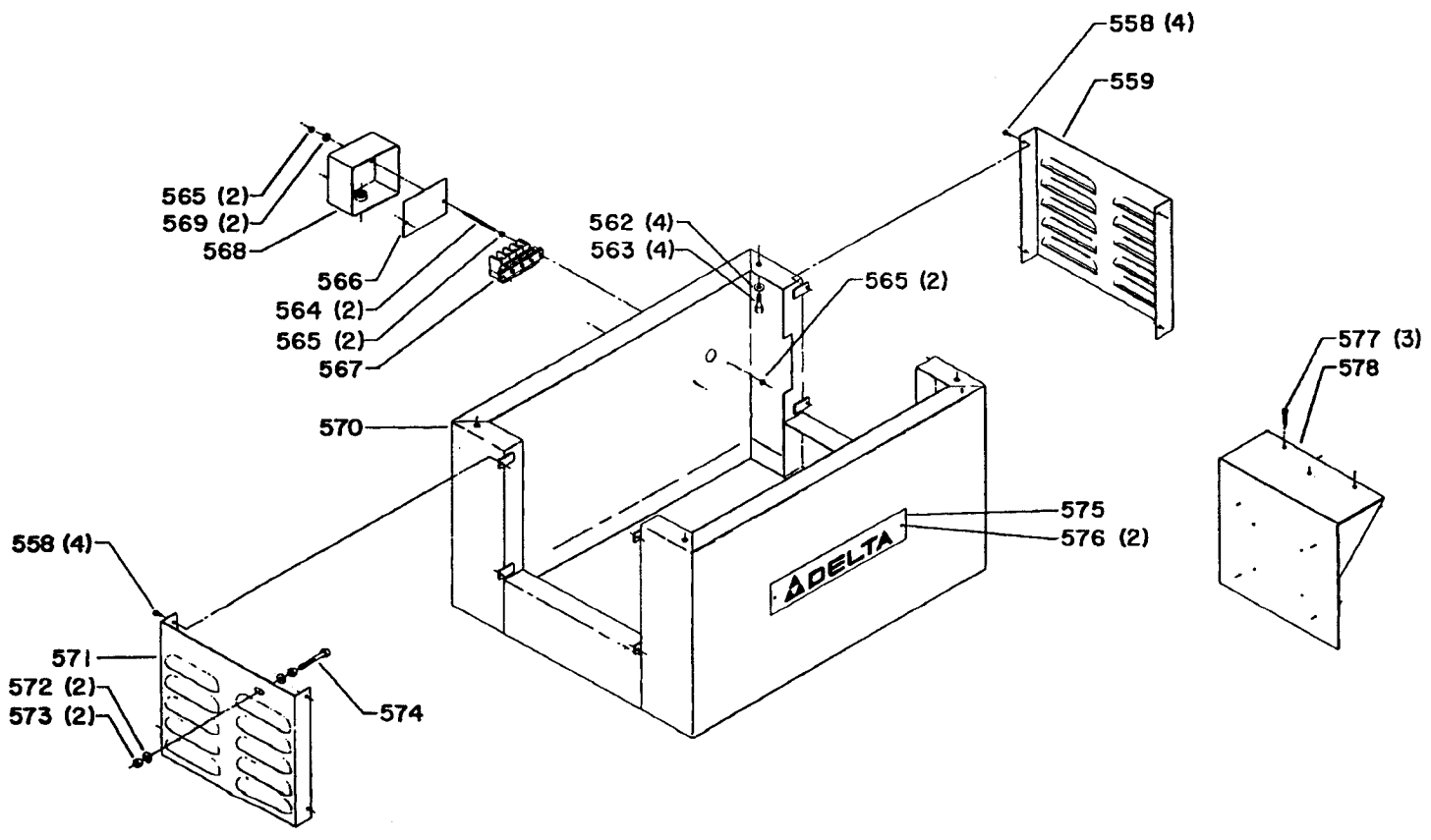
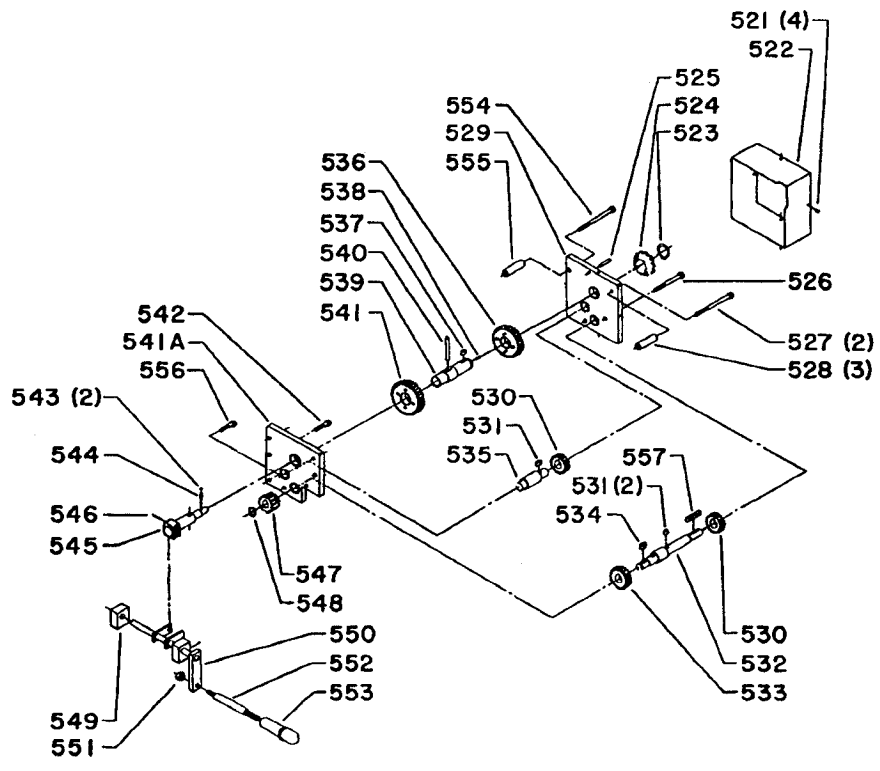
REF NO	PART NUMBER	DESCRIPTION
*	1330690	Complete Table Assembly, Const Of:
300	1330446	Table
301	428-07-055-0009	Auxiliary Guide
302	1246045	(Din 84) M6 x 10mm Cheese Hd Screw
303	1246155	(Din 963) M6 x 12mm Flat Hd Screw
304	428-07-055-0008	Table Guide - Left
305	428-07-055-0006	Table Position Guide
306	1243526	(Din 125) 8mm Flat Washer
307	1246016	(Din 933) M8 x 25mm Hex Hd Screw
308	1330483	Plate - Left
309	1246002	(Din 84) M6 x 12mm Cheese Hd Screw
310	428-07-055-0007	Table Guide - Right
311	428-07-071-0015	Bronze Pin
312	1246167	(Din 913) M10 x 25mm Hex Soc Set Screw
313	1243496	(Din 934) M10 Hex Nut
314	1330776	Pointer
315	1243501	(Din 84) M4 x 10mm Cheese Hd Screw
318	1246130	(Din 84) M6 x 16mm Cheese Hd Screw
319	1246045	(Din 84) M6 x 10mm Cheese Hd Screw
320	428-07-072-0007	Plate - Right
321	1246045	(Din 84) M6 x 10mm Cheese Hd Screw
322	428-07-132-0003	Scale
323	422-28-079-0015	Rivet
324	1330449	Front Plate
325	1330450	Indicator Plate
326	1330458	Knob
327	1246009	(Din 913) M8 x 10mm Hex Soc Set Screw
328	1243456	(Din 934) M6 Hex Nut
329	1330448	Table Roller Pivot - Left
330	1246041	(Din 914) M8 x 15mm Hex Soc Set Screw
331	1330454	Rear Pivot Bar
332	1243497	(Din 471) 12e External Retaining Ring
333	428-07-071-0006	Pivot Pin
334	1243476	(Din 934) M12 Hex Nut
335	1330453	Adjusting Screw
336	1330455	Pivot Bar - Front
337	1330456	Adjusting Nut
338	1330457	Lock Nut
339	1246137	(Din 913) M5 x 8mm Hex Soc Set Screw
340	1330452	Roller Adjustment Lever
341	1330459	Washer
342	1320106	Bearing
343	1330451	Table Roller Shaft
344	1330481	Table Roller
345	1330447	Table Roller Pivot - Right
346	1246009	(Din 913) M8 x 10mm Hex Soc Set Screw

* NOT SHOWN ASSEMBLED



REPLACEMENT PARTS

<u>REF</u>	<u>PART NUMBER</u>	<u>DESCRIPTION</u>	<u>REF</u>	<u>PART NUMBER</u>	<u>DESCRIPTION</u>
425	1330411	Table Support	472	428-07-130-0003	Motor Pulley (For Three Phase Models Only)
426	1243502	(Din 125) 10mm Flat Washer	473	428-07-130-0007	Motor Pulley (For Single Phase Models Only)
427	1246035	(Din 933) M10 x 30mm Hex Hd Screw	474	1246009	(Din 913) M8 x 10mm Hex Soc Set Screw (For Three Phase Models Only)
428	1246122	(Din 912) M8 x 15mm Soc Hd Screw	475	438-02-314-0932	Motor - 7.5 HP, 200-220/440V, 60Hz, Three Phase
429	428-07-088-0004	Lock Ring	476	83-004	Motor - 5 HP, 230V, 60 Hz, Single Phase
430	1246028	(Din 6799) RS-15 External Retaining Ring	477	1246019	(Din 933) M10 x 35mm Hex Hd Screw
431	428-07-088-0005	Lock Ring	478	428-07-005-0005	Motor Base
432	1246164	(Din 7971) 04.2 x 13mm Pan Hd Sheet Metal Screw	479	1243496	(Din 934) M10 Hex Nut
433	904-01-010-1603	3/16" Flat Washer	480	428-07-104-0029	Spacer
434	428-07-104-0011	Plate	481	1246020	(Din 933) M10 x 80mm Hex Hd Screw
435	428-07-031-0021	Elevating Screw Cover	482	1243502	(Din 125) 10mm Flat Washer
436	1330486	Elevating Screw w/Gear	483	428-07-104-0030	Spacer
437	428-07-023-0005	Chain (172 Pitches), Incl:	484	428-07-072-0010	Limiter Plate
438	428-07-135-0003	Master Link	485	1243502	(Din 125) 10mm Flat Washer
440	428-07-054-0004	Elevating Screw Guard - Rear	486	1246035	(Din 933) m10 x 30mm Hex Hd Screw
441	1246130	(Din 84) M6 X 16mm Cheese Hd Screw	487	1246180	(Din 471) 22e External Retaining Ring
442	920-41-013-1442	Bearing	488	428-07-106-0008	Motor Base Shaft
443	1246013	(Din 933) 6 x 12mm Hex Hd Screw	489	1243502	(Din 125) 10mm Flat Washer
444	428-06-104-0002	Washer	490	1243496	(Din 934) 10mm Hex Nut
445	428-06-134-0002	Sprocket w/Bushing	491	1246045	(Din 84) M6 x 10mm Cheese Hd Screw
446	428-06-084-0001	Idler	492	428-07-054-0003	Elevating Screw Guard - Front
447	1246018	(Din 933) M10 x 25mm Hex Hd Screw	493	1246019	(Din 933) M10 x 35mm Hex Hd Screw
448	1243502	(Din 125) 10mm Flat Washer	494	1243502	(Din 125) 10mm Flat Washer
449	1246099	(Din 931) M10 x 50mm Hex Hd Screw	495	428-06-134-0002	Sprocket w/Bushing
450	1243496	(Din 934) M10 Hex Nut	496	428-07-071-0014	Pin
451	428-07-103-0002	Flange	497	1243301	(Din 471) 16e External Retaining Ring
452	1246157	(Din 7980) 8mm Lockwasher	498	428-07-051-0013	Gear - 12 Teeth
453	1243530	(Din 912) M8 x 30mm Soc Hd Screw	499	428-07-104-0026	Bronze Washer
454	428-07-074-0004	Plug	500	428-07-014-0001	Bracket w/Bushing
455	1246133	(Din 913) M8 x 8mm Hex Soc Set Screw	501	1330147	(Din 912) M8 x 40mm Soc Hd Screw
456	428-07-079-0011	Nut	509	428-06-079-0003	Key
457	1243398	(Din 934) M8 Hex Nut (For Use With Outboard Elevating Screws Only)	510	1330695	Drive Shaft
458	422-30-079-0006	Washer (For Use With Outboard Elevating Screws Only)	511	428-07-104-0026	Washer
459	1246017	(Din 933) M8 x 30mm Hex Hd Screw (For Use With Outboard Elevating Screws Only)	512	428-07-031-0012	Cover - Right Side
462	428-07-315-0001	Brake Assembly	513	1243398	(Din 934) M8 Hex Nut
463	1246122	(Din 912) M8 x 15mm Soc Hd Screw	514	422-29-079-0001	Washer
464	428-07-031-0013	Cover - Left Side	515	428-07-059-0008	Lower Hinge
465	428-07-138-0001	Knob	516	428-07-071-0013	Hinge Pin
466	1246072	(Din 912) M10 x 80mm Soc Hd Screw	517	428-07-138-0001	Knob
467	901-03-010-0777	3/8-16 x 3" Soc Hd Screw (For Single Phase Models Only)	518	428-07-100-0002	Wheel
468	428-07-104-0017	Washer	519	1330720	Sleeve
469	428-07-133-0001	V-Belt (For Three Phase Models Only)	520	1330719	Lock Knob
470	428-07-133-0003	V-Belt (For Single Phase Models Only)			
471	428-07-133-0002	Matched Set of Three (3) V-Belts	*	NOT SHOWN ASSEMBLED	



46
47
46
46
46

REPLACEMENT PARTS

REF NO	PART NUMBER	DESCRIPTION	REF NO	PART NUMBER	DESCRIPTION
*	428-07-333-0001	Table Raising Assembly, Const Of:	554	1246176	(Din 931) M8 x 80mm Hex Hd Screw
521	1246177	(Din 84) M4 x 6mm Cheese Hd Screw	555	428-07-104-0020	Spacer
522	428-07-031-0014	Cover	556	1246016	(Din 933) M8 x 25mm Hex Hd Screw
523	1246181	(Din 471) 25e External Retaining Ring	557	428-07-079-0009	Key
524	428-07-134-0004	Sprocket	558	901-06-133-1263	#10-24 x 3/8" Self Tapping Screw
525	1246110	(Din 1481) 6 x 24mm Roll Pin	559	428-07-031-0015	Electrical Box Cover
526	1246176	(Din 931) M8 x 80mm Hex Hd Screw	560	1246007	(Din 913) M4 x 8mm Hex Soc Set Screw
527	1246131	(Din 933) M8 x 60mm Hex Hd Screw	561	428-07-104-0021	Cable Lock
528	428-07-104-0020	Spacer	562	1243502	(Din 125) 10mm Flat Washer
529	428-07-089-0013	Front Gear Support w/Bushings	563	1246115	(Din 933) M10 x 20mm Hex Hd Screw
530	428-07-051-0012	Gear - 20 Teeth	564	428-07-111-0002	Stud
531	428-07-079-0008	Key	569	1246102	(Din 125) 5mm Flat Washer
532	428-07-106-0010	Wheel Shaft	570	428-07-005-0004	Lower Base
533	428-07-051-0011	Gear - 22 Teeth	571	428-07-031-0016	Motor Cover, Incl:
534	428-06-079-0003	Key	572	1243502	(Din 125) 10mm Flat Washer
535	428-07-106-0011	Intermediate Shaft	573	1243496	(Din 934) M10 Hex Nut
536	428-07-051-0009	Gear w/Pins and Bushing - 35 Teeth	574	901-06-133-1263	#10-24 x 3/8" Self Tapping Screw
537	428-07-079-0007	Key	575	428-07-137-0001	Nameplate
538	1246092	(Din 914) M6 X 6mm Hex Soc Set Screw	576	422-28-079-0015	Rivet
539	428-07-106-0009	Clutch Shaft	577	1246153	(Din 933) M6 x 25mm Hex Hd Screw
540	428-07-071-0009	Pin	578	428-07-089-0018	Electrical Box Support
541	428-07-051-0008	Gear w/Pins and Bushing - 39 Teeth			
541A	428-07-089-0012	Rear Gear Support w/Bushing	*	NOT SHOWN ASSEMBLED	
542	1246016	(Din 933) M8 x 25mm Hex Hd Screw			
543	1243446	1/4" Dia Ball			
544	428-07-122-0012	1/4' Dia Spring			
545	428-07-328-0001	Clutch Assembly, Incl:			
546	1246184	(Din 1481) 3 x 20mm Roll Pin			
547	428-07-051-0013	Gear - 12 Teeth			
548	1243301	(Din 471) 16e External Retaining Ring			
549	428-07-089-0013	Lever Support			
550	428-07-067-0009	Clutch Lever			
551	1243398	(Din 934) M8 Hex Nut			
552	428-07-067-0010	Lever			
553	432-07-138-0005	Knob			

This parts list is provided to aid in obtaining service parts. Copies of the instruction and maintenance literature can be obtained through the Delta Technical Publications Department or through your local service outlet.