

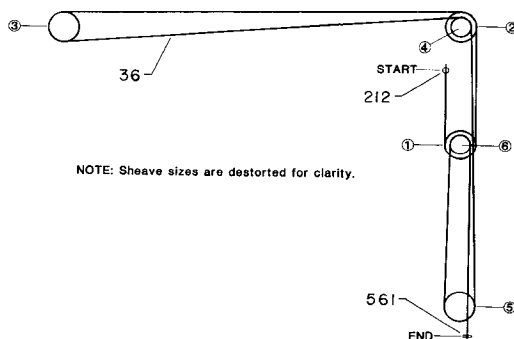
REPLACEMENT PARTS

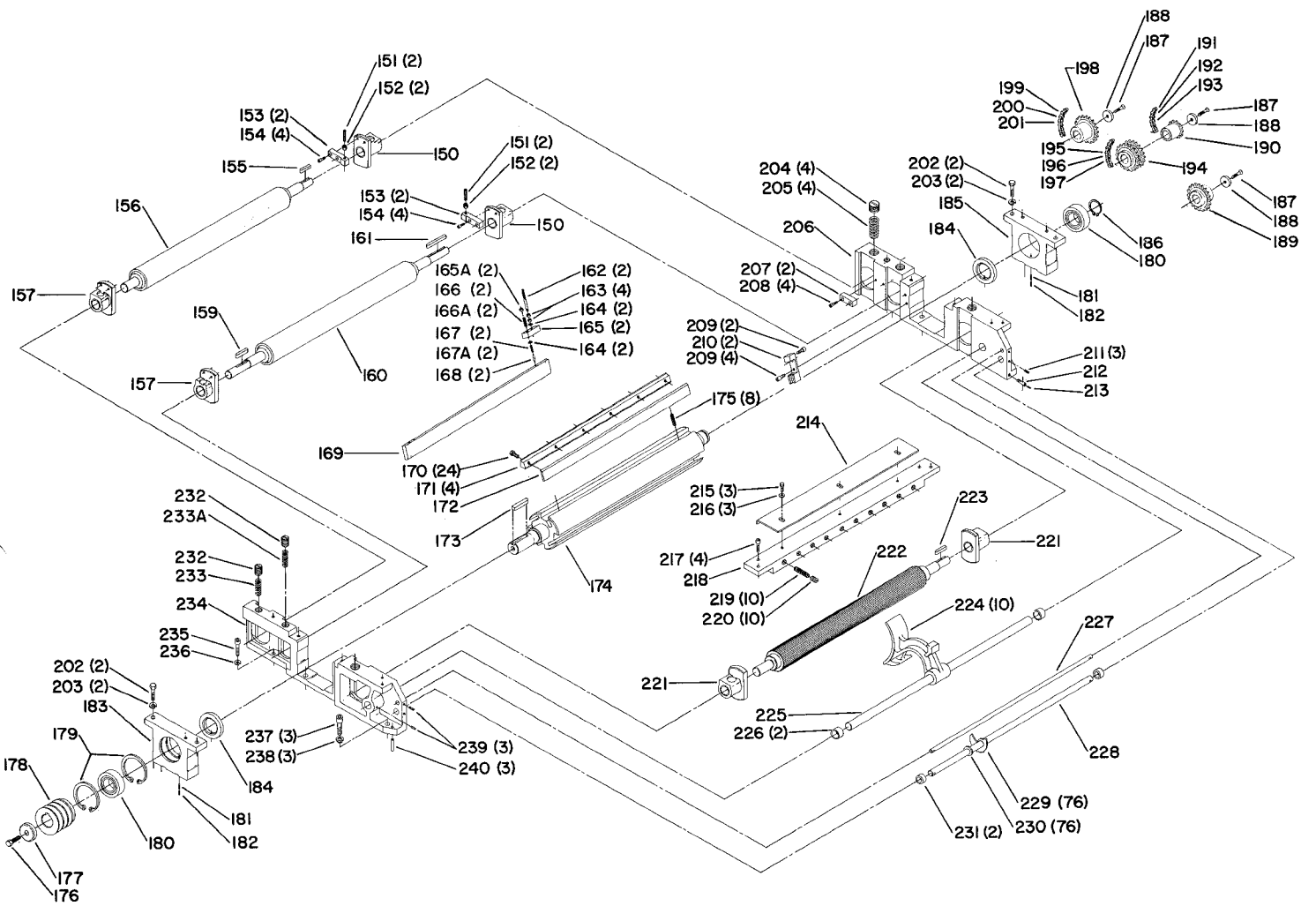
Ref No.	Part No.	Description	Ref No.	Part No.	Description
1	428-07-026-0001	Dust Collector	55	438-01-017-0173	Switch w/On Button
2	428-07-116-0006	Gasket	56	438-01-017-0172	Switch w/Off Button
3	1243379	(DIN 912) M6 x 10mm Soc Hd Screw	57	1246090	(DIN 84) M6 x 30mm Cheese Hd Screw
4	1085187	"Danger" Label	58	428-07-104-0023	Spacer
5	428-07-031-0020	Cover	59	1246045	(DIN 84) M6 x 10mm Cheese Hd Screw
6	1243567	(DIN 912) M6 x 35mm Soc Hd Screw	60	428-07-123-0001	Panel
7	428-07-116-0005	Gasket	61	428-07-071-0004	Spring Pin
8	428-07-072-0009	Chip Deflector Plate	62	428-07-122-0006	Spring
9	428-07-031-0011	Cover	63	1246114	(DIN 934) M16 Hex Nut
10	1330433	Warning Label	64	428-07-027-0001	Spring Regulator
11	1246045	(DIN 84) M6 X 10mm Cheese Hd Screw	65	1243456	(DIN 934) M6 Hex Nut
12	428-07-071-0012	Pin	66	1246175	(DIN 931) M6 x 30mm Hex Hd Screw
13	1246182	(DIN 1481) Ø3 x 8mm Roll Pin	67	428-07-122-0009	Spring
14	1246054	(DIN 912) M8 x 20mm Soc Hd Screw	68	428-07-106-0015	Belt Tension Shaft
15	422-29-079-0001	Washer	69	432-07-138-0005	Handle
15A	1243526	(DIN 125) Ø8mm Flat Washer	*	428-07-351-0001	Gear Box Assembly, Const of:
16	428-07-071-0013	Hinge Pin	70	428-07-112-0006	Tilt Nut
17	428-07-059-0007	Hinge - Left	71	428-07-071-0003	(DIN 1481) Ø8 x 60mm Roll Pin
18	1243398	(DIN 934) M8 Hex Nut	72	428-07-071-0004	Spring Pin (Install with Loctite)
19	428-07-059-0006	Hinge - Right	73	428-07-031-0004	Rear Gear Box Cover
20	1246034	(DIN 933) M8 x 20mm Hex Hd Screw	74	1246143	(DIN 1481) Ø8 x 40mm Roll Pin
21	428-07-005-0003	Upper Base	75	428-07-074-0003	Plug
22	422-29-079-0015	Washer	76	920-04-020-5348	Bearing
23	1243502	(DIN 125) Ø10mm Flat Washer	77	428-07-051-0005	Gear
24	1246018	(DIN 933) M10 x 25mm Hex Hd Screw	78	428-07-079-0005	Key
25	428-07-055-0005	Vertical Table Guide	79	428-07-116-0003	Seal
26	1246149	(DIN 913) M10 x 16mm Hex Soc Set Screw	80	428-07-116-0002	O-Ring
27	1246179	(DIN 7980) Ø12mm Lockwasher	81	428-07-079-0004	Key
28	1246172	(DIN 912) M12 x 45mm Soc Hd Screw	82	428-07-051-0003	Gear
29	428-07-059-0008	Lower Hinge	83	428-07-051-0004	Gear
30	1246034	(DIN 933) M8 x 20mm Hex Hd Screw	84	428-07-051-0002	Gear
31	1243301	(DIN 471) 16e External Retaining Ring	85	428-07-116-0004	O-Ring
32	428-07-130-0004	Sheave	86	920-04-022-4014	Bearing
33	428-07-106-0013	Sheave Shaft - Left	87	428-07-051-0001	Gear
34	1246007	(DIN 913) M4 x 8mm Hex Soc Set Screw	88	428-07-104-0004	Spacer
35	428-07-089-0017	Cursor Support	89	428-07-017-0004	Bearing
36	428-07-081-0001	Cable (See Service Note A)	90	428-07-116-0001	O-Ring
37	428-07-104-0025	Spacer	91	428-07-056-0001	Gasket
38	428-07-075-0002	Cursor	92	1243331	(DIN 912) M6 x 40mm Soc Hd Screw
39	1246117	(DIN 963) M4 x 10mm Flat Hd Screw	93	1246055	(DIN 912) M6 x 50mm Soc Hd Screw
40	428-07-130-0005	Sheave - Minor	94	428-07-031-0003	Gear Box - Pulley Side
41	428-07-106-0012	Sheave Shaft - Right	95	1246070	(DIN 912) M6 x 30mm Soc Hd Screw
42	428-07-389-0001	Scale Support, Incl.:	96	428-07-074-0002	Oil Level Plug (For 3Ø Models Only)
43	428-07-132-0002	Scale	97	428-07-074-0005	Plug (For 1Ø Models Only)
44	422-28-079-0015	Rivet	98	428-07-104-0003	Washer
45	1246053	(DIN 912) M8 x 25mm Soc Hd Screw	99	1246048	(DIN 963) M8 x 20mm Flat Hd Screw
46	1246013	(DIN 933) M6 x 12mm Hex Hd Screw	100	428-07-130-0002	Pulley (For 3Ø Models Only)
47	1243456	(DIN 934) M6 Hex Nut	101	428-07-130-0006	Pulley (For 1Ø Models Only)
48	904-01-010-1604	1/4" Flat Washer	102	428-07-104-0005	Washer
49	428-07-089-0015	Support	103	1246049	(DIN 963) M8 x 25mm Flat Hd Screw
50	428-07-013-0001	Switch Box	104	1246016	(DIN 933) M8 x 25mm Hex Hd Screw
51	428-07-031-0017	Switch Box Cover	105	428-07-350-0001	Knife Gage, Incl.:
52	901-06-133-1263	#10-24 X 3/8" Type F Pan Hd Screw	106	1246185	(DIN 1481) Ø5 x 40mm Roll Pin
53	1246130	(DIN 84) M6 x 16mm Cheese Hd Screw	107	428-07-112-0022	Adjusting Screw (Early Models Only)
54	428-07-123-0002	Panel	108	1243476	(DIN 934) M12 Hex Nut (Early Models Only)
			109	1330270	Gage Block

* NOT SHOWN ASSEMBLED

SERVICE NOTES:

A - Follow sequential diagram below for correct tracking of cable.





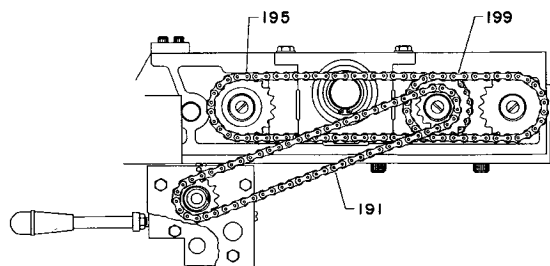
REPLACEMENT PARTS

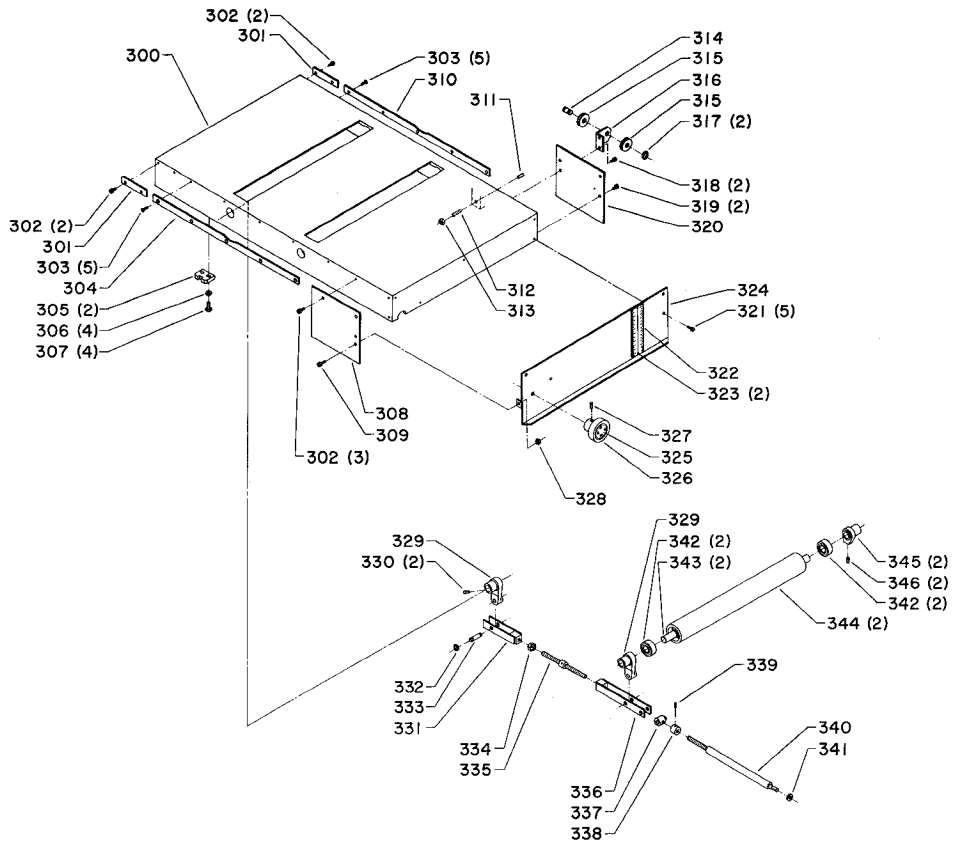
Ref No.	Part No.	Description	Ref No.	Part No.	Description
150	428-07-010-0003	Right Block w/Bushing	195	428-07-023-0003	Infeed Roller Drive Chain (59 Pitches), Incl.: (See Service Note B)
151	1246044	(DIN 913) M8 x 30mm Hex Soc Set Screw	196	428-07-135-0007	Master Link
152	1243398	(DIN 934) M8 Hex Nut	197	428-07-135-0001	Offset Link
153	428-07-088-0002	Limitter	198	428-07-134-0007	Sprocket - Outfeed Roller (Outboard)
154	1246056	(DIN 912) M16 x 12mm Soc Hd Screw	199	428-07-023-0004	Outfeed Roller Drive Chain (35 Pitches), Incl.: (See Service Note B)
155	428-07-079-0002	Key	200	428-07-135-0007	Master Link
156	428-07-080-0005	Outfeed Roller - Outboard	201	428-07-135-0001	Offset Link
157	428-07-010-0005	Block w/Bushing	202	1246019	(DIN 933) M10 x 35mm Hex Hd Screw
159	428-07-079-0001	Key	203	1243360	(DIN 7980) Ø10mm Lockwasher
160	428-07-080-0004	Outfeed Roller - Inboard	204	428-07-112-0003	Adjusting Nut
161	428-07-079-0010	Key	205	428-07-122-0003	Spring
162	428-07-111-0003	Stud (Install with Loctite)	206	428-07-089-0008	Support - Right Side
163	1243456	(DIN 934) M6 Hex Nut	207	428-07-088-0003	Stop
164	904-01-010-1604	1/4" Flat Washer	208	1246056	(DIN 912) M6 x 12mm Soc Hd Screw
165	428-07-089-0019	Rear Chipbreaker Support	209	1246122	(DIN 912) M8 x 15mm Soc Hd Screw
165A	1243398	(DIN 934) M8 Hex Nut (Current Models Only)	210	428-07-089-0020	Support
166	1246044	(DIN 913) M8 x 30mm Hex Soc Set Screw (Current Models Only)	211	1246144	(DIN 914) M6 x 12mm Hex Soc Set Screw
166A	1246168	(DIN 915) M10 x 25mm Hex Soc Set Screw (Early Models Only)	212	428-07-104-0024	Cable Lock
167	1330697	Spring (Current Models Only)	213	1246137	(DIN 912) M5 x 8mm Hex Soc Set Screw
167A	432-07-122-0003	Spring (Early Models Only)	214	428-07-072-0005	Chipbreaker Limiter Plate
168	1246109	(DIN 1481) Ø5 x 16 mm Roll Pin	215	1246078	(DIN 933) M8 x 12mm Hex Hd Screw
169	428-07-004-0005	Rear Pressure Bar	216	1243526	(DIN 125) Ø8mm Flat Washer
*	428-07-312-0003	Cutterhead Assembly, Const of:	217	1246053	(DIN 912) M8 x 25mm Soc Hd Screw
170	428-07-112-0001	Locking Screw	218	428-07-089-0010	Chipbreaker Support
171	428-07-004-0006	Knife Locking Bar	219	428-07-122-0010	Spring
172	22-466	Set of Four (4) Knives	220	428-07-112-0021	Chipbreaker Adjusting Screw
173	428-07-079-0003	Key	221	428-07-312-0002	Block w/Bushing
174	428-07-012-0002	Cutterhead	222	428-07-080-0003	Infeed Roller
175	428-07-122-0001	Spring	223	428-07-079-0002	Key
176	1330667	(DIN 933) M12 x 30mm Hex Hd Screw	224	429-07-036-0002	Chipbreaker
177	428-07-104-0009	Washer	225	428-07-106-0007	Chipbreaker Shaft
178	428-07-130-0001	Cutterhead Pulley	226	428-07-104-0028	Spacer
179	1246068	(DIN 472) Ø0i Internal Retaining Ring	227	428-07-108-0004	Support Rod
180	428-07-017-0001	Bearing	228	428-07-108-0005	Anti-Kick Back Rod
181	1246166	(DIN 914) M5 x 12mm Hex Soc Set Screw	229	428-06-047-0001	Anti-Kick Back Finger
182	1246043	(DIN 916) M5 x 10mm Hex Soc Set Screw	230	428-06-104-0006	Washer
183	428-07-010-0002	Bearing Block - Left	231	428-07-104-0027	Spacer
184	428-07-054-0002	Bearing Guard	232	428-07-112-0001	Adjusting Nut
185	428-07-010-0001	Bearing Block - Right	233	1330696	Spring
186	1246069	(DIN 471) 40e External Retaining Ring	233A	428-07-122-0002	Spring
187	1246049	(DIN 963) M8 x 25mm Flat Hd Screw	234	428-07-089-0009	Support - Left Side
188	428-07-104-0002	Washer	235	1246052	(DIN 912) M10 x 35mm Soc Hd Screw
189	428-07-134-0005	Sprocket - Infeed Roller	236	1243360	(DIN 7980) Ø10mm Lockwasher
190	428-07-134-0008	Sprocket - Outfeed Roller (Inboard)	237	1246057	(DIN 912) M12 x 35mm Soc Hd Screw
191	428-07-023-0006	Table Elevating Drive Chain (65 Pitches), Incl.: (See Service Note B)	238	1246179	(DIN 7980) Ø12mm Lockwasher
192	428-07-135-0003	Master Link	239	1246144	(DIN 914) M6 x 12mm Soc Hd Screw
193	428-07-135-0005	Offset Link	240	1246060	(DIN 1481) Ø8 x 30mm Roll Pin
194	428-07-134-0006	Sprocket - Outfeed Roller (Inboard)			

* NOT SHOWN ASSEMBLED

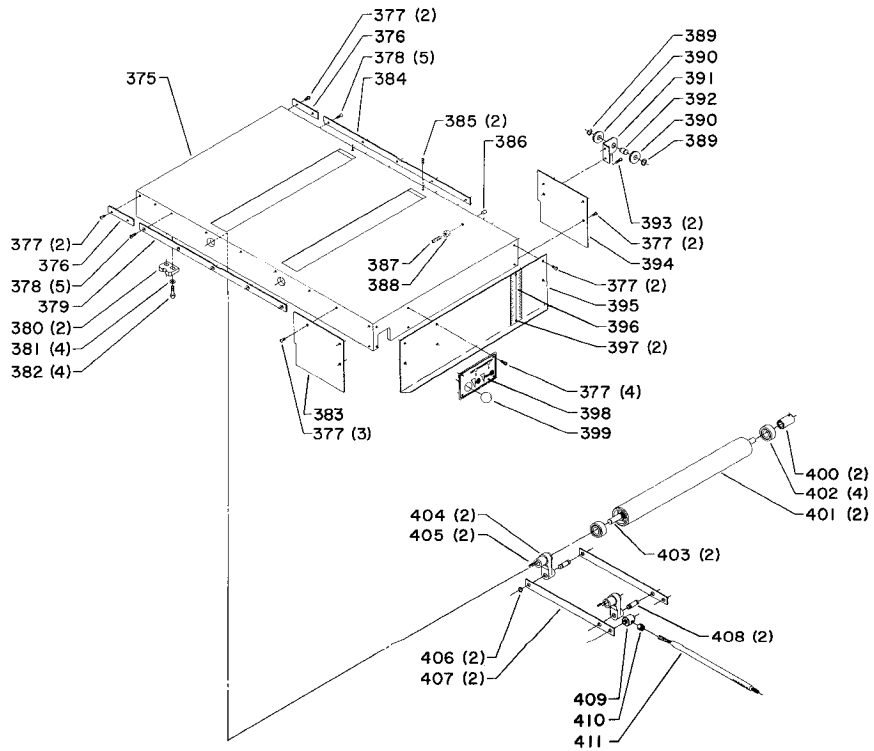
SERVICE NOTES:

B - See diagram below for correct chain selection.





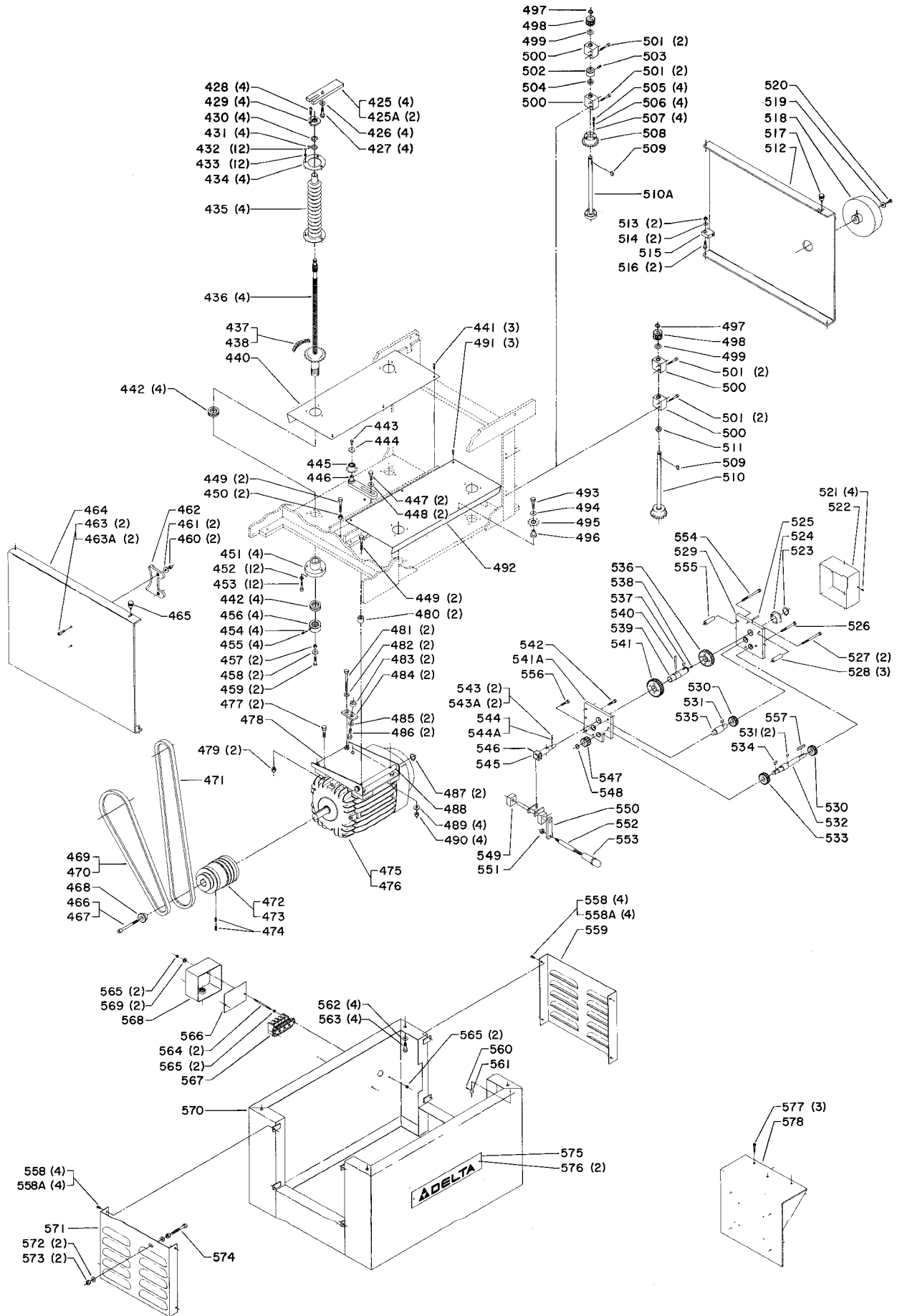
CURRENT MODELS ONLY



EARLY MODELS ONLY

REPLACEMENT PARTS

Ref No.	Part No.	Description	Ref No.	Part No.	Description
*	1330690	Complete Table Assembly, Const of: (Current Models Only)	375	428-07-091-0002	Table
300	1330446	Table	376	428-07-055-0009	Auxiliary Guide
301	428-07-055-0009	Auxiliary Guide	377	1246045	(DIN 84) M6 x 10mm Cheese Hd Screw
302	1246045	(DIN 84) M6 x 10mm Cheese Hd Screw	378	1246155	(DIN 963) M6 x 12mm Flat Hd Screw
303	1246155	(DIN 963) M6 x 12mm Flat Hd Screw	379	428-07-055-0008	Table Guide - Left
304	428-07-055-0008	Table Guide - Left	380	428-07-055-0006	Table Position Guide
305	428-07-055-0006	Table Position Guide	381	1243526	(DIN 125) Ø8mm Flat Washer
306	1243526	(DIN 125) Ø8mm Flat Washer	382	1246016	(DIN 933) M8 x 25mm Hex Hd Screw
307	1246016	(DIN 933) M8 x 25mm Hex Hd Screw	383	428-07-072-0008	Plate - Left
308	1330483	Plate - Left	384	428-07-055-0007	Table Guide - Right
309	1246002	(DIN 84) M6 x 12mm Cheese Hd Screw	385	1246144	(DIN 914) M6 x 12mm Hex Soc Set Screw
310	428-07-055-0007	Table Guide - Right	386	428-07-071-0015	Bronze Pin
311	428-07-071-0015	Bronze Pin	387	1246167	(DIN 913) M10 x 25mm Hex Soc Set Screw
312	1246167	(DIN 913) M10 x 25mm Hex Soc Set Screw	388	1243496	(DIN 934) M10 Hex Nut
313	1243496	(DIN 934) M10 Hex Nut	389	1243301	(DIN 471) 16e External Retaining Ring
314	428-07-071-0011	Pin	390	428-07-130-0004	Sheave
315	428-07-130-0004	Sheave	391	428-07-089-0016	Sheave Support
316	428-07-089-0016	Sheave Support	392	428-07-071-0011	Pin
317	1243301	(DIN 471) 16e External Retaining Ring	393	1246130	(DIN 84) M6 x 16mm Cheese Hd Screw
318	1246130	(DIN 84) M6 x 16mm Cheese Hd Screw	394	428-07-072-0007	Plate - Right
319	1246045	(DIN 84) M6 x 10mm Cheese Hd Screw	395	428-07-072-0006	Plate
320	428-07-072-0007	Plate - Right	396	428-07-132-0003	Scale
321	1246045	(DIN 84) M6 x 10mm Cheese Hd Screw	397	422-28-079-0015	Rivet
322	428-07-132-0003	Scale	398	428-07-137-0002	Indicator Plate
323	422-28-079-0015	Rivet	399	428-07-067-0003	Ball Handle
324	1330449	Front Plate	400	428-07-017-0006	Roller Bushing
325	1330450	Indicator Plate	401	428-07-380-0001	Table Roller Assembly, Incl.:
326	1330458	Knob	402	920-04-020-5348	Bearing
327	1246009	(DIN 913) M8 x 10mm Hex Soc Set Screw	403	428-07-106-0014	Table Roller Shaft
328	1243456	(DIN 934) M6 Hex Nut	404	428-07-089-0004	Roller Pivot
329	1330448	Table Roller Pivot - Left	405	1243321	(DIN 913) M6 x 10mm Hex Soc Set Screw
330	1246041	(DIN 914) M8 x 15mm Hex Soc Set Screw	406	1243497	(DIN 471) 12e External Retaining Ring
331	1330454	Rear Pivot Bar	407	428-07-004-0004	Pivot Bar
332	1243497	(DIN 471) 12e External Retaining Ring	408	428-07-071-0006	Pivot Pin
333	428-07-071-0006	Pivot Pin	409	428-07-112-0011	Adjusting Nut Screw
334	1243476	(DIN 934) M12 Hex Nut	410	1243476	(DIN 934) M12 Hex Nut
335	1330453	Adjusting Screw	411	428-07-112-0020	Roller Adjusting Screw
336	1330455	Pivot Bar - Front			
337	1330456	Adjusting Nut			* NOT SHOWN ASSEMBLED
338	1330457	Lock Nut			
339	1246137	(DIN 913) M5 x 8mm Hex Soc Set Screw			
340	1330452	Roller Adjustment Lever			
341	1330459	Washer			
342	1320106	Bearing			
343	1330451	Table Roller Shaft			
344	1330481	Table Roller			
345	1330447	Table Roller Pivot - Right			
346	1246009	(DIN 913) M8 x 10mm Hex Soc Set Screw			



REPLACEMENT PARTS

Ref No.	Part No.	Description	Ref No.	Part No.	Description
425	1330411	Table Support (Current Models Only)	505	1246133	(DIN 913) M8 x 8mm Hex Soc Set Screw (Early Models Only, See Service Note D)
425A	428-07-089-0011	Table Support (Early Models Only)	506	428-07-122-0012	Spring (Early Models Only, See Service Note D)
426	1243502	(DIN 125) Ø10mm Flat Washer	507	921-01-010-0028	1/4" Dia. Ball (Early Models Only, See Service Note D)
427	1246035	(DIN 933) M10 x 30mm Hex Hd Screw	508	428-07-134-0009	Sprocket w/Bushing (Early Models Only, See Service Note D)
428	1246122	(DIN 912) M8 x 15mm Soc Hd Screw	509	428-06-079-0003	Key
429	428-07-088-0004	Lock Ring	510	1330695	Drive Shaft (Current Models Only, See Service Note D)
430	1246028	(DIN 6799) RS-15 External Retaining Ring	510A	428-07-051-0014	Drive Shaft (Early Models Only, See Service Note D)
431	428-07-088-0005	Lock Ring	511	428-07-104-0026	Washer (Current Models Only)
432	1246164	(DIN 7971) 04.2 x 13mm Pan Hd Metal Screw	512	428-07-031-0012	Cover Right - Side
433	904-01-010-1603	3/16" Flat Washer	513	1243398	(DIN 934) M8 Hex Nut
434	428-07-104-0011	Plate	514	422-29-079-0001	Washer
435	428-07-031-0021	Elevating Screw Cover	515	428-07-059-0008	Lower Hinge
436	1330486	Elevating Screw w/Gear	516	428-07-071-0013	Hinge Pin
437	428-07-023-0005	Chain (172 Pitches), Incl.:	517	428-07-138-0001	Knob
438	428-07-135-0003	Master Link	518	428-07-100-0002	Wheel
440	428-07-054-0004	Elevating Screw Guard - Rear	519	1246078	(DIN 933) M8 x 15mm Hex Hd Screw
441	1246130	(DIN 84) M6 x 16mm Cheese Hd Screw	520	422-30-079-0006	Washer
442	920-41-013-1442	Bearing	*	428-07-333-0001	Table Raising Assembly, Const of:
443	1246013	(DIN 933) M6 x 12mm Hex Hd Screw	521	1246177	(DIN 84) M4 x 6mm Cheese Hd Screw
444	428-06-104-0002	Washer	522	428-07-031-0014	Cover
445	428-06-134-0002	Sprocket w/Bushing	523	1246181	(DIN 471) 25e External Retaining Ring
446	428-06-084-0001	Idler	524	428-07-134-0004	Sprocket
447	1246018	(DIN 933) M10 x 25mm Hex Hd Screw	525	1246110	(DIN 1481) Ø6 x 24mm Roll Pin
448	1243502	(DIN 125) Ø10mm Flat Washer	526	1246176	(DIN 931) M8 x 80mm Hex Hd Screw
449	1246099	(DIN 931) M10 x 50mm Hex Hd Screw	527	1246131	(DIN 933) M8 x 60mm Hex Hd Screw
450	1243496	(DIN 934) M10 Hex Nut	528	428-07-104-0020	Spacer
451	428-07-103-0002	Flange	529	428-07-089-0013	Front Gear Support w/Bushings
452	1246157	(DIN 7980) Ø8mm Lockwasher	530	428-07-051-0012	Gear - 20 Teeth
453	1243530	(DIN 912) M8 x 30mm Soc Hd Screw	531	428-07-079-0008	Key
454	428-07-074-0004	Plug	532	428-07-106-0010	Wheel Shaft
455	1246133	(DIN 913) M8 x 8mm Hex Soc Set Screw	533	428-07-051-0011	Gear - 22 Teeth
456	428-07-079-0011	Nut	534	428-06-079-0003	Key
457	1243398	(DIN 934) M8 Hex Nut (See Service Note C)	535	428-07-106-0011	Intermediate Shaft
458	422-30-079-0006	Washer (See Service Note C)	536	428-07-051-0009	Gear w/Pins and Bushing - 35 Teeth
459	1246017	(DIN 933) M8 x 30mm Hex Hd Screw (See Service Note C)	537	428-07-079-0007	Key
460	1243398	(DIN 934) M8 Hex Nut (Early Models Only)	538	1246092	(DIN 914) M6 x 6mm Hex Soc Set Screw
461	1243526	(DIN 125) Ø8mm Flat Washer (Early Models Only)	539	428-07-106-0009	Clutch Shaft
462	428-07-315-0001	Brake Assembly	540	428-07-071-0009	Pin
463	1246122	(DIN 912) M8 x 15mm Soc Hd Screw (Current Models Only)	541	428-07-051-0008	Gear w/Pins and Bushing - 39 Teeth
463A	1246054	(DIN 912) M8 x 20mm Soc Hd Screw (Early Models Only)	541A	428-07-089-0012	Rear Gear Support w/Bushing
464	428-07-031-0013	Cover Left - Side	542	1246016	(DIN 933) M8 x 25mm Hex Hd Screw
465	428-07-138-0001	Knob	543	1243446	1/4" Dia. Ball (Current Models Only)
466	1246072	(DIN 912) M10 x 80mm Soc Hd Screw (For 30 Models Only)	543A	921-01-010-0029	3/16" Dia. Ball (Early Models Only)
467	901-03-010-0777	3/8-16 x 3" Soc Hd Screw (For 10 Models Only)	544	428-07-122-0012	1/4" Dia. Spring (Current Models Only)
468	428-07-104-0017	Washer	544A	428-07-122-0011	3/16" Dia. Spring (Early Models Only)
469	428-07-133-0001	V-Belt (For 30 Models Only)	545	428-07-328-0001	Clutch Assembly, Incl.:
470	428-07-133-0003	V-Belt (For 10 Models Only)	546	1246184	(DIN 1481) Ø3 x 20mm Roll Pin
471	428-07-133-0002	Matched Set of Three (3) V-Belts	547	428-07-051-0013	Gear - 12 Teeth
472	428-07-130-0003	Motor Pulley (For 30 Models Only)	548	1243301	(DIN 471) 16e External Retaining Ring
473	428-07-130-0007	Motor Pulley (For 10 Models Only)	549	428-07-089-0014	Lever Support
474	1246009	(DIN 913) M8 x 10mm Hex Soc Set Screw (For 30 Models Only)	550	428-07-067-0009	Clutch Lever
475	438-02-314-0932	Motor - 7.5 HP, 200-220/440V, 60 Hz, 3Ø	551	1243398	(DIN 934) M8 Hex Nut
476	83-004	Motor - 5 HP, 230V, 60 Hz, 1Ø	552	428-07-067-0010	Lever
477	1246019	(DIN 933) M10 x 35mm Hex Hd Screw	553	432-07-138-0005	Knob
478	428-07-005-0005	Motor Base	554	1246176	(DIN 931) M8 x 80mm Hex Hd Screw
479	1243496	(DIN 934) M10 Hex Nut	555	428-07-104-0020	Spacer
480	428-07-104-0029	Spacer	556	1246016	(DIN 933) M8 x 25mm Hex Hd Screw
481	1246020	(DIN 933) M10 x 80mm Hex Hd Screw	557	428-07-079-0009	Key
482	1243502	(DIN 125) Ø10mm Flat Washer	558	901-06-133-1263	#10-24 x 3/8" Self Tap Screw (Current Models Only)
483	428-07-104-0030	Spacer	558A	1246045	(DIN 84) M6 x 10mm Cheese Hd Screw (Early Models Only)
484	428-07-072-0010	Limiter Plate	559	428-07-031-0015	Electrical Box Cover
485	1243502	(DIN 125) Ø10mm Flat Washer	560	1246007	(DIN 913) M4 x 8mm Hex Soc Set Screw
486	1246035	(DIN 933) M10 x 30mm Hex Hd Screw	561	428-07-104-0021	Cable Lock
487	1246180	(DIN 471) 22e External Retaining Ring	562	1243502	(DIN 125) Ø10mm Flat Washer
488	428-07-106-0008	Motor Base Shaft	563	1246115	(DIN 933) M10 x 20mm Hex Hd Screw
489	1243502	(DIN 125) Ø10mm Flat Washer	564	428-07-111-0002	Stud
490	1243496	(DIN 934) M10 Hex Nut	565	1243395	(DIN 934) M5 Hex Nut
491	1246045	(DIN 84) M6 x 10mm Cheese Hd Screw	566	438-01-011-0060	Insulation Paper
492	428-07-054-0003	Elevating Screw Guard - Front	567	438-01-018-0056	Terminal Strip Assembly
493	1246019	(DIN 933) M10 x 35mm Hex Hd Screw	568	438-01-008-0051	Cover
494	1243502	(DIN 125) Ø10mm Flat Washer	569	1246102	(DIN 125) Ø5mm Flat Washer
495	428-06-134-0002	Sprocket w/Bushing	570	428-07-005-0004	Lower Base
496	428-07-071-0014	Pin	571	428-07-031-0016	Motor Cover, Incl.:
497	1243301	(DIN 471) 16e External Retaining Ring	572	1243502	(DIN 125) Ø10mm Flat Washer
498	428-07-051-0013	Gear - 12 Teeth	573	1243496	(DIN 934) M10 Hex Nut
499	428-07-104-0026	Bronze Washer	574	901-06-133-1263	#10-24 x 3/8" Self Tap Screw
500	428-07-014-0001	Bracket w/Bushing	575	428-07-137-0001	Nameplate
501	1330147	(DIN 912) M8 x 40mm Soc Hd Screw	576	422-28-079-0015	Rivet
502	428-07-088-0006	Stop Collar (Early Models Only, See Service Note D)	577	1246153	(DIN 933) M6 x 25mm Hex Hd Screw
503	1246039	(DIN 913) M8 x 12mm Hex Soc Set Screw (Early Models Only, See Service Note D)	578	428-07-089-0018	Electrical Box Support
504	428-07-071-0016	Bronze Washer (Early Models Only, See Service Note D)	*	NOT SHOWN ASSEMBLED	

SERVICE NOTES:

C - For use with outboard elevating screws only.

D - When replacement becomes necessary for early style sprocket w/bushing (Ref. No. 508) or drive shaft (Ref. No. 510A) a new style drive shaft (Ref. No. 510) (shaft and sprocket incorporated as one piece) will be shipped. Customer MUST discard stop collar (Ref. No. 502), set screw (Ref. No. 503), washer (Ref. No. 504), set screw (Ref. No. 505), spring (Ref. No. 506), and ball (Ref. No. 507) for proper machine operation, as the new style drive shaft no longer requires the use of these parts.

This parts list is provided to aid in obtaining service parts. Operational and maintenance information is contained in a separate owner's manual which is available through your local service outlet.