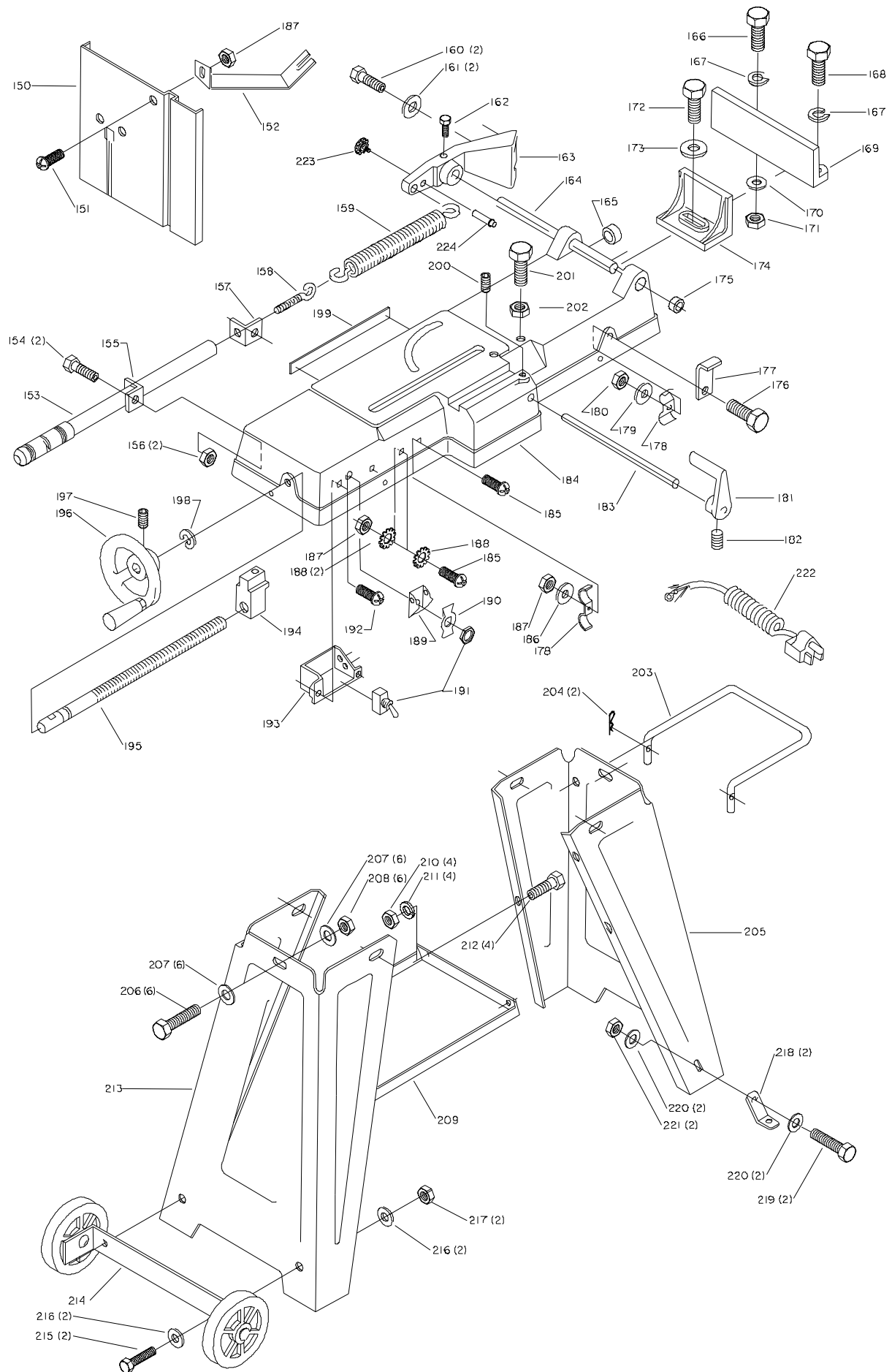


# REPLACEMENT PARTS

| Ref.       |                 |                                   | Ref.       |                 |                                       |
|------------|-----------------|-----------------------------------|------------|-----------------|---------------------------------------|
| <u>No.</u> | <u>Part No.</u> | <u>Description</u>                | <u>No.</u> | <u>Part No.</u> | <u>Description</u>                    |
| 1          | 1340805         | GUARD PLATE & PULLEY GUARD        | 51         | 904-01-010-1604 | 1/4" FLAT WASHER                      |
| 2          | 1340847         | SPEED CHART                       | 52         | 901-01-060-0611 | 1/4-20 X 1/2" HEX HD CAP SCREW        |
| 3          | 904-01-010-1604 | 1/4" FLAT WASHER                  | 53         | 1340713         | JUMPER WIRE (SWITCH TO MOTOR)         |
| 4          | 901-01-060-0611 | 1/4-20 X 1/2" HEX HD CAP SCREW    | 54         | 1340829         | WIRE NUT                              |
| 5          | 1340842         | WORM GEAR PULLEY ASSEMBLY, INCL:  | 55         | 1340783         | BEARING                               |
| 6          | 901-04-150-940  | 5/16-18 X 3/4" HEX SOC SET SCREW  | 56         | 1340785         | OIL SEAL                              |
| 7          | 1340806         | V-BELT                            | 57         | 1340784         | SPACER                                |
| 8          | 1340794         | SPACER                            | 58         | 1340767         | BEARING RETAINER                      |
| 9          | 1340767         | BEARING RETAINER                  | 59         | 1340812         | DRIVE SPACER                          |
| 10         | 901-02-030-0466 | #08-32 X 3/8" FIL HD MACH SCREW   | 60         | 1340836         | DRIVE WHEEL ASSEMBLY, INCL:           |
| 11         | 1340783         | BEARING                           | 61         | 901-04-150-020  | 5/16-18 X 5/16" HEX SOC SET SCREW     |
| 12         | 1340792         | BEARING RETAINER                  | 62         | 1340811         | IDLER SPACER                          |
| 13         | 1340790         | WORM GEAR                         | 63         | n 1246145       | RETAINING RING                        |
| 14         | 901-01-060-0611 | 1/4-20 X 1/2" HEX HD CAP SCREW    | 64         | 1340817         | SPACER                                |
| 15         | 904-02-020-1702 | 1/4" LOCK WASHER                  | 65         | 1340772         | IDLER WHEEL                           |
| 16         | 1340789         | GEAR BOX COVER                    | 66         | 1340744         | WASHER                                |
| 17         | 902791          | WARNING LABEL, T2                 | 67         | 901-01-060-0607 | 5/16-18 X 3/4" HEX HD CAP SCREW       |
|            | 426-06-752-0004 | WARNING LABEL, T1                 | 68         | 902330          | BEARING GUIDE LOCK KNOB, T2           |
| 18         | 1340788         | GEAR BOX GASKET                   |            | 1340761         | BEARING GUIDE LOCK KNOB, T1           |
| 19         | 901-01-060-0616 | 1/2-13 X 1 1/2" HEX HD CAP SCREW  | 69         | 904-01-010-1606 | 3/8" FLAT WASHER                      |
| 20         | 1340840         | MOTOR PULLEY ASSEMBLY, INCL:      | 70         | 904803          | ADJUSTABLE BRACKET (IDLER), T2        |
| 21         | 901-04-150-0205 | 5/16-18 X 1/4" HEX SOC SET SCREW  |            | 1340750         | ADJUSTABLE BRACKET (IDLER), T1        |
| 22         | 1340781         | MOTOR                             | 71         | 1340797         | SPECIAL WASHER                        |
| 23         | 1340769         | KEY                               | 72         | 901-01-060-0649 | 5/16-18 X 1" HEX HD CAP SCREW         |
| 24         | 901-01-060-0607 | 5/16-18 X 3/4" HEX HD CAP SCREW   | 73         | 1340837         | BEAR GUIDE ASSEMBLY, (IDLER), INCL:   |
| 25         | 904-01-010-1605 | 5/16" FLAT WASHER                 | 74         | 1340757         | PIN                                   |
| 26         | 902-01-010-1300 | 5/16-18 HEX NUT                   | 75         | 902-01-010-120  | 3/8-24 HEX NUT                        |
| 27         | 901-01-060-0609 | 5/16-18 X 1 1/2" HEX HD CAP SCREW | 76         | 904-02-020-170  | 3/8" LOCK WASHER                      |
| 28         | 902-01-010-1300 | 5/16-18 HEX NUT                   | 77         | 1340754         | BEARING                               |
| 29         | 1340780         | MOTOR MOUNTING PLATE              | 78         | 1340756         | ECCENTRIC BEARING STUD                |
| 30         | 902-01-120-1034 | 1/4-20 HEX NUT                    | 79         | 1340755         | BEARING STUD                          |
| 31         | 901-01-060-0623 | 1/4-20 X 1" HEX HD CAP SCREW      | 80         | n 1320166       | RETAINING RING                        |
| 32         | 1340841         | DRIVE SHAFT ASSEMBLY, INCL:       | 81         | 904804          | ADJUSTABLE BRACKET (DRIVE), T2        |
| 33         | 1340791         | PIN                               |            | 1340760         | ADJUSTABLE BRACKET (DRIVE), T1        |
| 34         | 1340768         | KEY                               | 82         | 1340838         | EARING GUIDE ASSEMBLY, (DRIVE), INCL: |
| 35         | 902329          | FRAME, T2                         | 83         | 1340754         | BEARING                               |
|            | 1340775         | FRAME, T1                         | 84         | 1340757         | PIN                                   |
| 36         | 902785          | NAMEPLATE, T2                     | 85         | 902-01-010-120  | 3/8-24 HEX NUT                        |
|            | 1340845         | NAMEPLATE, T1                     | 86         | 904-02-020-170  | 3/8" LOCK WASHER                      |
| 37         | 901-01-060-0611 | 1/4-20 X 1/2" HEX HD CAP SCREW    | 87         | 901-03-030-076  | 1/4-20 X 1/2" HEX SOC FLAT HD SCREW   |
| 38         | 1340804         | BLADE TENSION GUIDE               | 88         | 1340764         | DEFLECTOR                             |
| 39         | 901-01-060-0607 | 5/16-18 X 3/4" HEX HD CAP SCREW   | 89         | 1340756         | ECCENTRIC BEARING STUD                |
| 40         | 901-01-060-0602 | 5/16-18 X 1 1/4" HEX HD CAP SCREW | 90         | 1340755         | BEARING STUD                          |
| 41         | 1340744         | WASHER                            | 91         | n 1320166       | RETAINING RING                        |
| 42         | 901-04-150-9402 | 5/16-18 X 3/4" HEX SOC SET SCREW  | 92         | 1340819         | BLADE GUARD (DRIVE)                   |
| 43         | 1340798         | SLIDING BLOCK                     | 93         | 901-02-030-0466 | #08-32 X 3/8" FIL HD MACH SCREW       |
| 44         | 1340843         | IDLER SHAFT ASSEMBLY, INCL:       | 94         | 1340820         | BLADE GUARD (IDLER)                   |
| 45         | 1340800         | PIN                               | 95         | 1340751         | LOCK KNOB                             |
| 46         | 1340803         | SHAFT BLOCK                       | 96         | 904-01-010-1604 | 1/4" FLAT WASHER                      |
| 47         | 1340774         | SPRING                            | 97         | 902332          | GUARD ASSEMBLY, INCL:, T2             |
| 48         | 904-01-010-1606 | 3/8" FLAT WASHER                  |            | 1340839         | GUARD ASSEMBLY, INCL:, T1             |
| 49         | 902331          | BLADE TENSION KNOB, T2            | 98         | 1340827         | GUARD                                 |
|            | 1340773         | BLADE TENSION KNOB, T1            | 99         | 901-02-010-0593 | #10-24 X 3/8" BIND HD MACH SCREW      |
| 50         | 1340771         | SWITCH SHUT OFF PLATE             |            |                 |                                       |
| 51         | 904-01-010-1604 | 1/4" FLAT WASHER                  |            |                 |                                       |
| 52         | 901-01-060-0611 | 1/4-20 X 1/2" HEX HD CAP SCREW    |            |                 |                                       |
| 53         | 1340713         | JUMPER WIRE (SWITCH TO MOTOR)     |            |                 |                                       |
| 54         | 1340829         | WIRE NUT                          |            |                 |                                       |
| 55         | 1340783         | BEARING                           |            |                 |                                       |
| 56         | 1340785         | OIL SEAL                          |            |                 |                                       |
| 57         | 1340784         | SPACER                            |            |                 |                                       |
| 58         | 1340767         | BEARING RETAINER                  |            |                 |                                       |
| 59         | 1340812         | DRIVE SPACER                      |            |                 |                                       |
| 60         | 1340836         | DRIVE WHEEL ASSEMBLY, INCL:       |            |                 |                                       |
| 61         | 901-04-150-020  | 5/16-18 X 5/16" HEX SOC SET SCREW |            |                 |                                       |



# REPLACEMENT PARTS

| Ref.       |                   |   | Ref.       |                 |                                   |
|------------|-------------------|---|------------|-----------------|-----------------------------------|
| <u>No.</u> | <u>Part No.</u>   | <u>Description</u>                      | <u>No.</u> | <u>Part No.</u> | <u>Description</u>                |
| 100        | 902328            | HARDWARE PACK                           | 195        | 1340727         | WISE LEAD SCREW                   |
| 150        | 1340748           | VERTICAL CUTTING PLATE                  | 196        | 1340835         | HANDWHEEL ASSEMBLY, INCL:         |
| 151        | 901-03-030-0761   | 1/4-20 X 1/2" HEX SOC FLAT HD SCREW     | 197        | 901-04-150-020  | 5/16-18 X 5/16" HEX SOC SET SCREW |
| 152        | 1340749           | VERTICAL CUTTING PLATE SUPPORT          | 198        | 1340725         | RETAINING RING                    |
| 153        | 1340712           | ADJUSTING ROD                           | 199        | 1340733         | SCALE                             |
| 154        | 901-01-060-0607   | 5/16-18 X 3/4" HEX HD CAP SCREW         | 200        | 901-04-150-9402 | 5/16-18 X 3/4" HEX SOC SET SCREW  |
| 155        | 1340738           | SUPPORT CLIP (LEFT)                     | 201        | 901-01-060-3107 | 7/16-14 X 2" HEX HD CAP SCREW     |
| 156        | 902-01-010-1300   | 5/16-18 HEX NUT                         | 202        | 902-01-040-1004 | 7/16-14 HEX NUT                   |
| 157        | 1340737           | SUPPORT CLIP (RIGHT)                    | 203        | 1340832         | HANDLE, INCL:                     |
| 158        | 1340739           | EYE BOLT                                | 204        | 1340704         | RETAINER PIN                      |
| 159        | 1340740           | TENSION SPRING                          | 205        | 902333          | LEG, T2                           |
| 160        | 901-01-060-0649   | 5/16-18 X 1" HEX HD CAP SCREW           |            | 1340710         | LEG, T1                           |
| 161        | 1340744           | WASHER                                  | 206        | 901-01-060-0649 | 5/16-18 X 1" HEX HD CAP SCREW     |
| 162        | 901-01-060-0607   | 5/16-18 X 3/4" HEX HD CAP SCREW         | 207        | 904-01-010-1604 | 5/16" FLAT WASHER                 |
| 163        | n 904806          | TILT BRACKET, T2                        | 208        | 902-01-010-1300 | 5/16-18 HEX NUT                   |
|            | 1340747           | TILT BRACKET, T1                        | 209        | 902335          | SHELF, T2                         |
| 164        | 1340714           | PIVOT SHAFT                             |            | 1340809         | SHELF, T1                         |
| 165        | 1340735           | RUBBER GROMMET                          | 210        | 1243456         | M6 HEX NUT                        |
| 166        | 901-01-060-0609   | 5/16-18 X 1 1/2" HEX HD CAP SCREW       | 211        | 1243520         | 6MM LOCK WASHER                   |
| 167        | 904-02-010-1703   | 5/16" LOCK WASHER                       | 212        | 1341951         | M6 X 10MM HEX HD SCREW            |
| 168        | 901-01-060-0607   | 5/16-18 X 3/4" HEX HD CAP SCREW         | 213        | 902334          | LEG, T2                           |
| 169        | 902934            | REAR VISE JAW, T2                       |            | 1340703         | LEG, T1                           |
|            | 1340742           | REAR VISE JAW, T1                       | 214        | 1340833         | WHEEL ASSEMBLY, INCL:             |
| 170        | 1340744           | WASHER                                  | 215        | 901-01-060-061  | 1/4-20 X 1/2" HEX HD CAP SCREW    |
| 171        | 902-01-010-1300   | 5/16-18 HEX NUT                         | 216        | 904-01-010-160  | 1/4" FLAT WASHER                  |
| 172        | 901-01-060-0648   | 3/8-16 X 1 1/4" SCREW, BEFORE S/N R9605 | 217        | 902-01-120-103  | 1/4-20 HEX NUT                    |
|            | 901-01-060-0602   | 5/16-18 1-1/4" SCREW, AFTER S/N R9604   | 218        | 1340828         | FLOOR MOUNT BRACKET               |
| 173        | 904-01-010-1606   | 3/8" FLAT WASHER, BEFORE S/N R9605      | 219        | 901-01-060-0605 | 5/16-18 X 1/2" HEX HD CAP SCREW   |
|            | n 904-01-033-1451 | 5/16" FLAT WASHER, AFTER S/N R9604      | 220        | 904-01-010-1605 | 5/16" FLAT WASHER                 |
| 174        | 902850            | FRONT VISE JAW, T2                      | 221        | 902-01-010-1300 | 5/16-18 HEX NUT                   |
|            | 1340729           | FRONT VISE JAW, T1                      | 222        | 1340736         | POWER CORD                        |
| 175        | 1340830           | SPACER                                  | 223        | n 912861        | LOCK KNOB                         |
| 176        | 901-01-060-0609   | 5/16-18 X 1 1/2" HEX HD CAP SCREW       | 224        | n 912862        | LOCK PIN                          |
| 177        | 1340715           | SUPPORT PLATE                           |            |                 |                                   |
| 178        | 1340719           | CORD CLAMP                              |            |                 |                                   |
| 179        | 904-01-010-1605   | 5/16" FLAT WASHER                       |            |                 |                                   |
| 180        | 902-01-010-1300   | 5/16-18 HEX NUT                         |            |                 |                                   |
| 181        | 1340834           | STOCK STOP, INCL:                       |            |                 |                                   |
| 182        | 901-04-150-0206   | 5/16-18 X 5/16" HEX SOC SET SCREW       |            |                 |                                   |
| 183        | 1340718           | STOCK STOP ROD                          |            |                 |                                   |
| 184        | 1340732           | BASE                                    |            |                 |                                   |
| 185        | 901-02-163-1002   | #10-24 X 1" SLOT PAN HD MACH SCREW      |            |                 |                                   |
| 186        | 904-01-010-1604   | 1/4" FLAT WASHER                        |            |                 |                                   |
| 187        | 902-01-120-1216   | #10-24 HEX NUT, PRIOR TO S/N R9605      |            |                 |                                   |
|            | 902-01-120-1034   | 1/4-20 HEX NUT AFTER S/N R9604          |            |                 |                                   |
| 188        | 904-03-030-1795   | LOCKWASHER                              |            |                 |                                   |
| 189        | 424-01-014-0002   | SWITCH GUARD                            |            |                 |                                   |
| 190        | 438-01-021-0105   | SWITCH PLATE                            |            |                 |                                   |
| 191        | n 438-01-628-0005 | SWITCH W/NUT                            |            |                 |                                   |
| 192        | 1340815           | M4 SELF TAP SCREW                       |            |                 |                                   |
| 193        | 1340734           | SWITCH BOX                              |            |                 |                                   |
| 194        | 1340728           | WISE NUT                                |            |                 |                                   |

## STANDARD SAFETY EQUIPMENT

In order to promote tool safety, Delta Machinery strictly enforces the policy of repairing or replacing any damaged or missing standard safety equipment on machines presented to Delta Authorized Service Centers for service/repairs. Any product that is presented to a Delta Authorized Service Centers for repairs which contains missing or damaged standard safety equipment will have that equipment repaired or replaced and the customer will be charged for any such service/repairs. Customers can avoid such charges only if the missing safety component is supplied to the service center at the time of repair.

*This parts list is provided to aid in obtaining service parts. Copies of the instruction and maintenance literature can be obtained through the Delta Technical Publications Department or through your service outlet.*