

REPLACEMENT PARTS

REF NO	PART NUMBER	DESCRIPTION	REF NO	PART NUMBER	DESCRIPTION
1	49-159	VARIABLE SPEED BELT	25	0906855	CLIP (Current Models Only, See Service Note A)
2	41-964	MOTOR PULLEY (3/4" BORE), INCL:	26	402-04-080-5001	ROLLER
4	904-15-010-7025	EXT RET RING	27	901-03-061-2471	1/4-20 X 3/4" HEX HD SCREW
5	402-07-079-5009	RETAINER	28	928-01-601-8897	SPRING
6	928-01-601-8891	SPRING	29	901-20-241-6107	#10-32 X 3/8" HEX HD SCREW
7	402-04-108-5020	ROD	30	402-07-089-5004	SUPPORT
8	901-04-150-9402	5/16-18 X 3/4" HEX SOC SET SCREW	31	928-06-010-7352	SPRING WASHER
3	41-965	MOTOR PULLEY (7/8" BORE), INCL:	37	1200031	MOTOR PLATE, INCL:
4	904-15-010-7025	EXT RET RING	38	902-03-000-2951	5/16-18 PUSH NUT
5	402-07-079-5009	RETAINER	39	901-11-020-0834	5/16-18 X 3/4" CARRIAGE HD SCREW
6	928-01-601-8891	SPRING	40	902-01-010-1300	5/16-18 HEX NUT
7	402-04-108-5020	ROD	41	904-01-010-1620	FLAT WASHER
8	901-04-150-9402	5/16-18 X 3/4" HEX SOC SET SCREW	42	402-07-357-5020	HEAD ASSY, INCL:
*	402-07-385-5005	SPINDLE PULLEY ASSY (Current Models Only, See Service Note A), CONST OF:	43	901-01-060-0615	7/16-14 X 1 3/4" HEX HD SCREW
9	426-04-079-5006	JAM NUT	44	402-07-020-5005	CAP
10	904-01-031-4988	FLAT WASHER	45	901-01-060-3114	7/16-14 X 2 1/2" HEX HD SCREW
11	926-05-992-5531	FIXED PULLEY ASSY (Current Models Only), INCL:	46	901-04-190-0207	5/16-18 X 1/2" HEX SOC SET SCREW
12	901-04-150-0232	1/4-20 X 3/8" HEX SOC SET SCREW	47	901-04-020-0303	5/16-18 X 1 1/4" SQ HD SET SCREW
13	1202920	PULLEY RET ASSY (Current Models Only, See Service Note A)	47A	901-04-020-0308	5/16-18 X 3/4" SQ HD SET SCREW
14	402-07-072-5006	COVER PLATE	48	904-07-010-5575	5/8" FIBER WASHER
15	904-15-010-7025	EXT RET RING	49	402-05-106-5010	SHAFT
16	920-04-021-5116	BALL BEARING	50	402-07-051-5002	COMPOUND GEAR
17	926-01-051-6349	PULLEY	51	961-01-010-7473	PLUG
18	920-04-020-5360	BALL BEARING	52	905-01-010-6715	3/16" X 5/8" SPRING PIN
19	402-04-108-5012	NYLON ROD	53	401-02-079-5001	PINION RETAINER
20	402-07-085-5004	SPINDLE	54	901-03-040-8015	1/4-20 X 1/2" BUTTON HD SCREW
21	927-01-010-2600	WOODRUFF KEY	55	928-08-012-1766	RETURN SPRING
*	402-07-385-5003	SPINDLE PULLEY ASSY (Early Models Only, See Service Note B), CONST OF:	56	401-04-031-5001	SPRING HOUSING
9	426-04-079-5006	JAM NUT	57	904-01-010-1622	FLAT WASHER
10	904-01-031-4988	FLAT WASHER	58	902-01-020-1226	5/8-18 JAM NUT
11	926-05-992-5531	FIXED PULLEY ASSY (See Service Note C), INCL:	59	902-01-200-9706	1/4-20 HEX NUT
12	901-04-150-0232	1/4-20 X 3/8" HEX SOC SET SCREW	60	901-03-013-1026	1/4-20 X 1 3/4" HEX SOC HD SCREW
13	402-07-379-5001	RETAINER ASSY (Early Models Only, See Service Notes B & C)	61	907-01-050-5239	OILER
14	402-07-072-5006	COVER PLATE	62	952-01-121-3274	SPRING PIN
15	904-15-010-7025	EXT RET RING	*	402-07-406-5018	PINION ASSY, CONST OF:
16	920-04-021-5116	BALL BEARING	63	402-07-106-5026	PINION
17	926-01-051-6349	PULLEY	64	402-04-107-5002	HUB
18	920-04-020-5360	BALL BEARING	65	905-01-010-6745	3/16" X 1 7/8" SPRING PIN
19	402-04-108-5012	NYLON ROD	66	1202603	STUD W/BALL, INCL:
20	402-07-085-5004	SPINDLE (See Service Note C)	67	1201642	KNOB-SLIP ON (Current Models Only)
21	927-01-010-2600	WOODRUFF KEY	67A	931-01-011-3519	HANDLE-SCREW ON (Early Models Only)
22	905-01-010-2734	5/16" X 1" SPRING PIN (Current Models Only, See Service Note A)	FOR USE WITH EARLY MODELS ONLY		
23	1202880	BRACKET (Current Models Only, See Service Note A)	80	901-03-061-2470	SCREW (See Service Note B)
24	1200219	ROD (Current Models Only, See Service Note A)	81	402-07-314-5004	BRACKET (See Service Note B)
			82	402-07-112-5002	SCREW (See Service Note B)
			83	902-01-020-5435	5/16-18 JAM NUT (See Service Note B)
			84	901-04-150-0292	5/16-18 X 1 1/4" HEX SOC SET SCREW (See Service Note B)

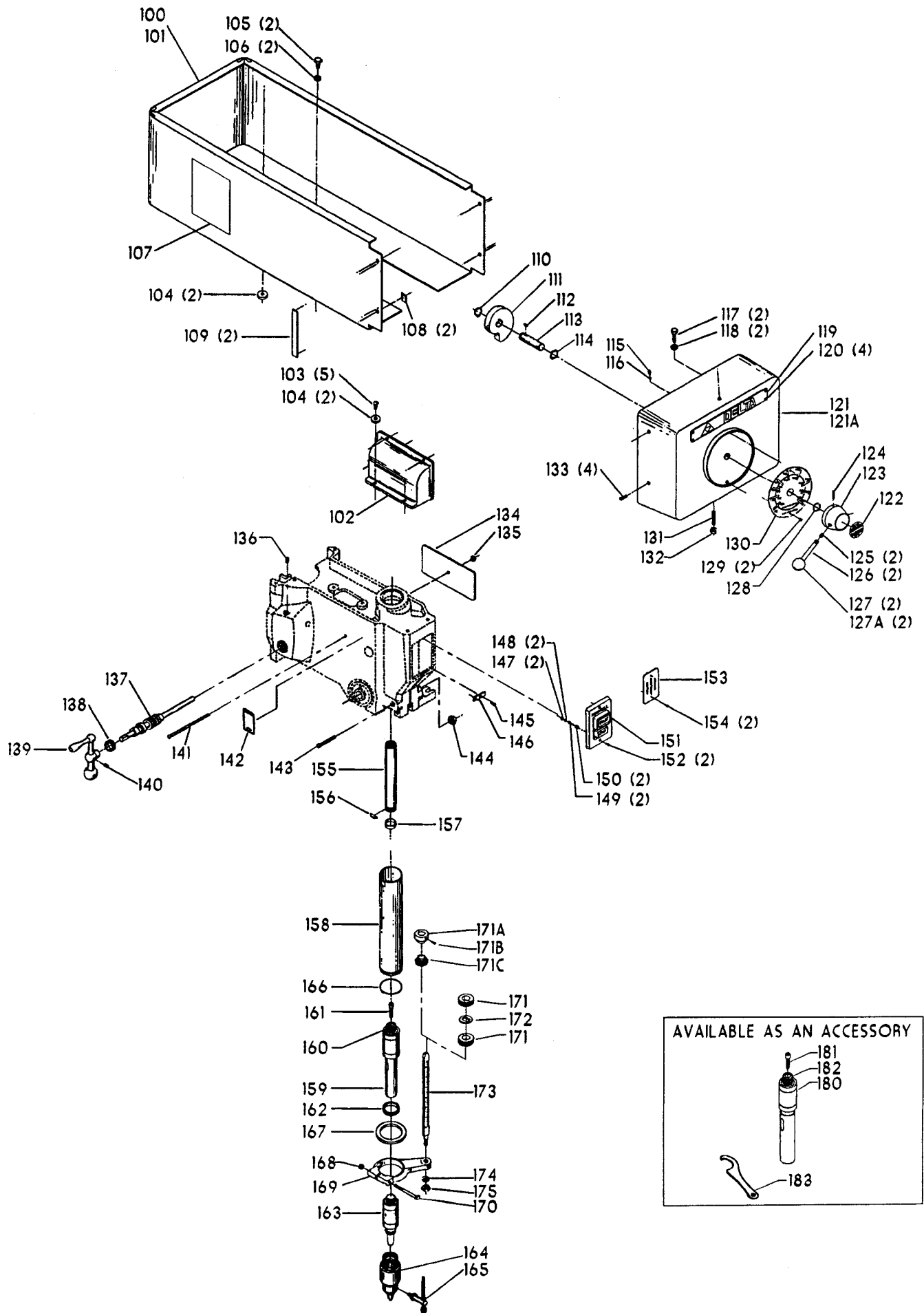
* NOT SHOWN ASSEMBLED

SERVICE NOTES:

A - For use with current models beginning with serial number 167-4100

B - For use with early models prior to serial number 167-4100

C - When replacing the spindle or spindle pulleys on machines with serial numbers between 141-1800 and 147-7349 the complete pulley assembly (402-07-385-5003) must be ordered.



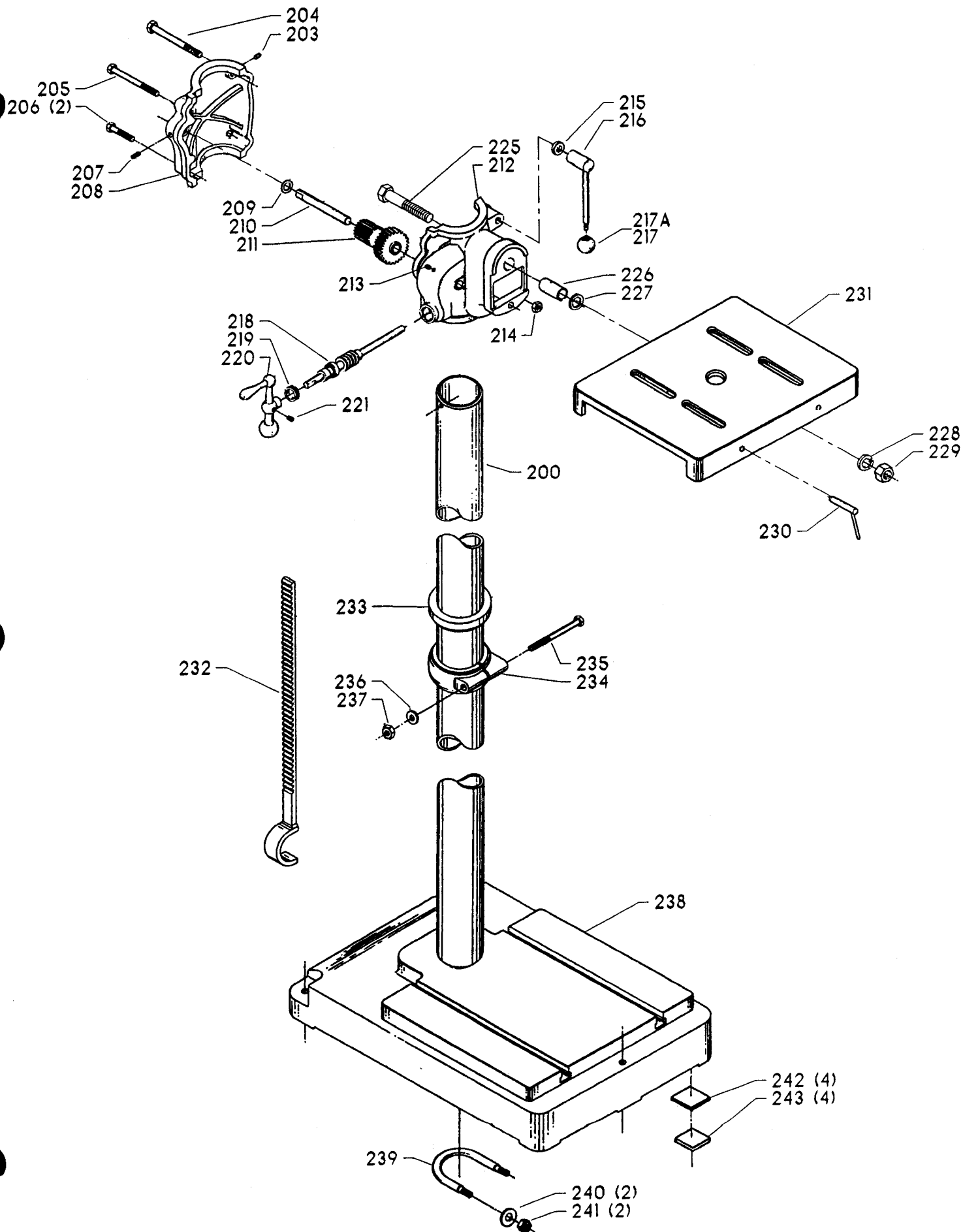
REPLACEMENT PARTS

REF NO	PART NUMBER	DESCRIPTION	REF NO	PART NUMBER	DESCRIPTION
100	402-07-054-5010	REAR GUARD (NON-POWER FEED)	148	904-03-030-1788	EXT TOOTH WASHER
101	402-07-354-5007	REAR GUARD ASSY (POWER FEED), INCL:	149	402-07-111-5002	STUD
102	402-07-031-5008	PULLEY COVER	150	402-07-104-5007	SPACER
103	901-06-110-3039	#10-32 X 1/2" ROUND HD SCREW	151	438-01-308-0009	SWITCH COVER ASSY
104	904-08-021-5995	RUBBER WASHER	152	901-02-010-0567	#06-32 X 1/4" ROUND HD SCREW
105	901-01-060-0605	5/16-18 X 1/2" HEX HD SCREW	153	402-04-031-5002	SWITCH OPENING COVER
106	904-01-010-1620	FLAT WASHER	154	901-06-120-3019	#06-32 X 1/2" ROUND HD SCREW
107	402-00-752-0001	WARNING LABEL	155	402-05-105-5004	DRIVE SLEEVE
108	902-03-050-2974	#10-24 SPEED NUT	*	402-07-377-5001	QUILL ASSY - #2 MORSE TAPER, CONST OF:
109	402-07-104-5004	FOAM SPACER	156	927-01-201-3720	SEGMENT KEY
110	904-15-010-7008	EXT RET RING	157	904-15-021-4139	GARTER SPRING
111	402-07-019-5001	CAM	158	402-07-077-5001	QUILL
112	927-01-010-2633	WOODRUFF KEY	159	17-881	LOWER SPINDLE - #2 MORSE TAPER, INCL:
113	402-04-106-5010	SHAFT	160	402-07-051-5005	PINION GEAR
114	928-06-011-8888	WASHER	161	901-03-010-0750	5/16-18 X 1" HEX SOC HD SCREW
115	901-04-150-0208	1/4-20 X 1/4" HEX SOC SET SCREW	162	902-07-020-7176	BEARING CLOSURE NUT
116	402-04-063-5001	DRAG PLUG	*	402-07-377-5002	QUILL ASSEMBLY, CONST OF:
117	901-01-060-0608	5/16-18 X 7/8" HEX HD SCREW	155	402-05-105-5004	DRIVE SLEEVE
118	904-01-010-1605	3/8" FLAT WASHER	156	927-01-201-3720	SEGMENT KEY
119		NAMEPLATE	157	904-15-021-4139	GARTER SPRING
120	901-06-450-2250	#04 X 3/16" ROUND HD SCREW	158	402-07-077-5001	QUILL
121	402-07-054-5020	FRONT GUARD (Current Models, See Service Note A)	162	902-07-020-7176	BEARING CLOSURE NUT
121A	402-07-054-5011	FRONT GUARD (Early Models Only, See Service Note B)	163	17-882	LOWER SPINDLE - #33 MALE TAPER
122	402-04-072-5008	INSTRUCTION PLATE	164	15-830	1/2" CHUCK, INCL:
123	402-04-107-5001	HUB	165	65-104	KEY
124	402-04-075-5003	POINTER	166	904-15-021-4138	GARTER SPRING
125	901-04-150-1111	3/8-16 X 3/8" HEX SOC SET SCREW	167	904-07-061-2942	CUSHION RING
126	1202610	ROD ASSY, INCL:	*	402-07-388-5002	STOP ASSY, CONST OF:
127	1201644	KNOB - SLIP ON (Current Models Only)	168	902-01-120-1034	1/4-20 HEX NUT
127A	931-01-011-3519	HANDLE - SCREW ON (Early Models Only)	169	402-07-014-5002	BRACKET
128	928-06-011-8888	WASHER	170	901-11-011-1453	1/4-20 X 2 1/2" SQUARE HD SCREW
129	901-06-450-2250	#04 X 3/16" ROUND HD SCREW	171	402-12-068-5001	KNURLED NUT (Current Models Only)
130	402-07-037-5006	SPEED DIAL	171A	402-04-012-5001	HOLDING NUT (Early Models Only)
131	901-04-190-0287	5/16-18 X 1 1/4" HEX SOC SET SCREW	171B	901-04-260-1534	#06-32 X 1/4" THUMB SCREW (Early Models Only)
132	902-01-020-5435	5/16-18 JAM NUT	171C	402-04-088-5005	MICRO NUT (Early Models Only)
133	901-05-390-3711	SCREW	172	904-01-103-1317	FLAT WASHER (Current Models Only)
134	902-01-120-1034	1/4-20 HEX NUT	173	402-04-108-5007	STOP ROD
135	402-07-072-5001	COVER PLATE	174	904-02-020-1704	3/8" LOCK WASHER (Early Models Only)
136	901-04-150-0205	5/16-18 X 1/4" HEX SOC SET SCREW	175	902-01-020-5433	3/8-16 JAM NUT
137	402-05-406-5008	WORM SHAFT	**	400-00-014-5006	LVC BOX MOUNTING BRACKET
138	902-07-030-7179	BEARING CLOSURE NUT			
139	930-05-991-4787	BALL CRANK, INCL:			
140	901-04-150-0206	5/16-18 X 5/16" HEX SOC SET SCREW			
141	901-02-010-0912	1/4-20 X 4 1/2" ROUND HD SCREW			
142	960-03-010-2413	LUBE PLATE	180	17-880	AVAILABLE AS AN ACCESSORY LOWER SPINDLE - #3 MORSE TAPER, INCL:
143	901-01-060-0633	7/16-14 X 3 1/4" HEX HD SCREW	181	901-03-010-0750	5/16-18 X 1" HEX SOC HD SCREW
144	902-01-010-5437	7/16-14 HEX NUT	182	402-07-051-5005	PINION GEAR
145	901-06-120-3019	#06-32 X 1/2" ROUND HD SCREW (Early Models Only)	183	15-838	SPANNER WRENCH
146	438-01-021-0081	SWITCH BRACKET (Early Models Only)			
147	902-01-120-9232	#06-32 HEX NUT	*		NOT SHOWN ASSEMBLED
			**		NOT SHOWN

SERVICE NOTES:

A - For use with current models beginning with serial number 167-4100

B - For use with early models prior to serial number 167-4100



REPLACEMENT PARTS

REF NO	PART NUMBER	DESCRIPTION
200	17-763	3-1/2 X 62" COLUMN - BENCH MODEL
200	17-764	3-1/2 X 38-1/2" COLUMN - FLOOR MODEL
*	402-07-314-5001	TABLE BRACKET, CONST OF:
203	901-04-190-0201	5/16-18 X 5/16" HEX SOC SET SCREW
204	901-01-060-0643	1/2-13 X 4" HEX HD SCREW
205	901-01-060-0637	7/16-14 X 3 3/4" HEX HD SCREW
206	901-01-060-0615	7/16-14 X 1 3/4" HEX HD SCREW
207	901-04-190-0207	5/16-18 X 1/2" HEX SOC SET SCREW
208	402-07-020-5003	CAP
209	904-07-010-5575	5/8" FIBER WASHER
210	402-05-106-5010	SHAFT
211	402-07-051-5002	COMPOUND GEAR
212	402-07-014-5006	BRACKET
213	901-04-150-0205	5/16-18 X 1/4" HEX SOC SET SCREW
214	902-01-020-5438	7/16-14 JAM NUT
215	904-10-031-3893	WASHER
216	402-05-327-5002	CLAMP HANDLE, INCL:
217	1201642	KNOB-SLIP ON (<i>Current Models Only</i>)
217A	931-01-011-3519	HANDLE-SCREW ON (<i>Early Models Only</i>)
218	402-05-406-5008	WORM ASSY
219	902-07-030-7179	BEARING CLOSURE NUT
220	930-05-991-4787	BALL CRANK, INCL:
221	901-04-150-0206	5/16-18 X 5/16" HEX SOC SET SCREW
225	901-01-060-0630	3/4-10 X 3 1/2" HEX HD SCREW
226	402-05-105-5002	SLEEVE
227	904-01-031-4954	FLAT WASHER
228	904-02-020-1707	LOCK WASHER
229	902-01-010-1245	3/4-10 HEX NUT
230	402-05-371-5002	INDEX PIN
231	17-829	TILT TABLE
232	402-07-351-5001	GEAR RACK
233	920-52-991-3936	THRUST BEARING
234	402-05-389-5001	COLLAR ASSY, INCL:
235	901-01-060-0631	7/16-14 X 4" HEX HD SCREW
236	904-10-031-2097	WASHER
237	902-01-040-1004	7/16-14 JAM NUT
238	402-07-005-5002	BASE
239	402-07-027-5001	U-BOLT
240	904-01-010-1618	9/16" FLAT WASHER
241	902-01-010-1282	1/2-13 HEX NUT
242	402-07-020-5006	CAP FOR PAD
243	402-07-089-5005	PAD

* NOT SHOWN ASSEMBLED

STANDARD SAFETY EQUIPMENT

In order to promote tool safety, Delta International Machinery Corp. strictly enforces the policy of repairing or replacing any damaged or missing standard safety equipment on machines presented to Delta Authorized Service Center for service/repairs. Any product which is presented to a Delta Authorized Service Center for repairs which contains missing or damaged standard safety equipment will have that equipment repaired or replaced and the customer will be charged for any such service/repairs. Customers can avoid such charges only if the missing safety component is supplied to the service center at the time of repair.

This parts list is provided to aid in obtaining service parts. Copies of the instruction and maintenance literature can be obtained through the Delta Technical Publications Department or through your local service outlet.