

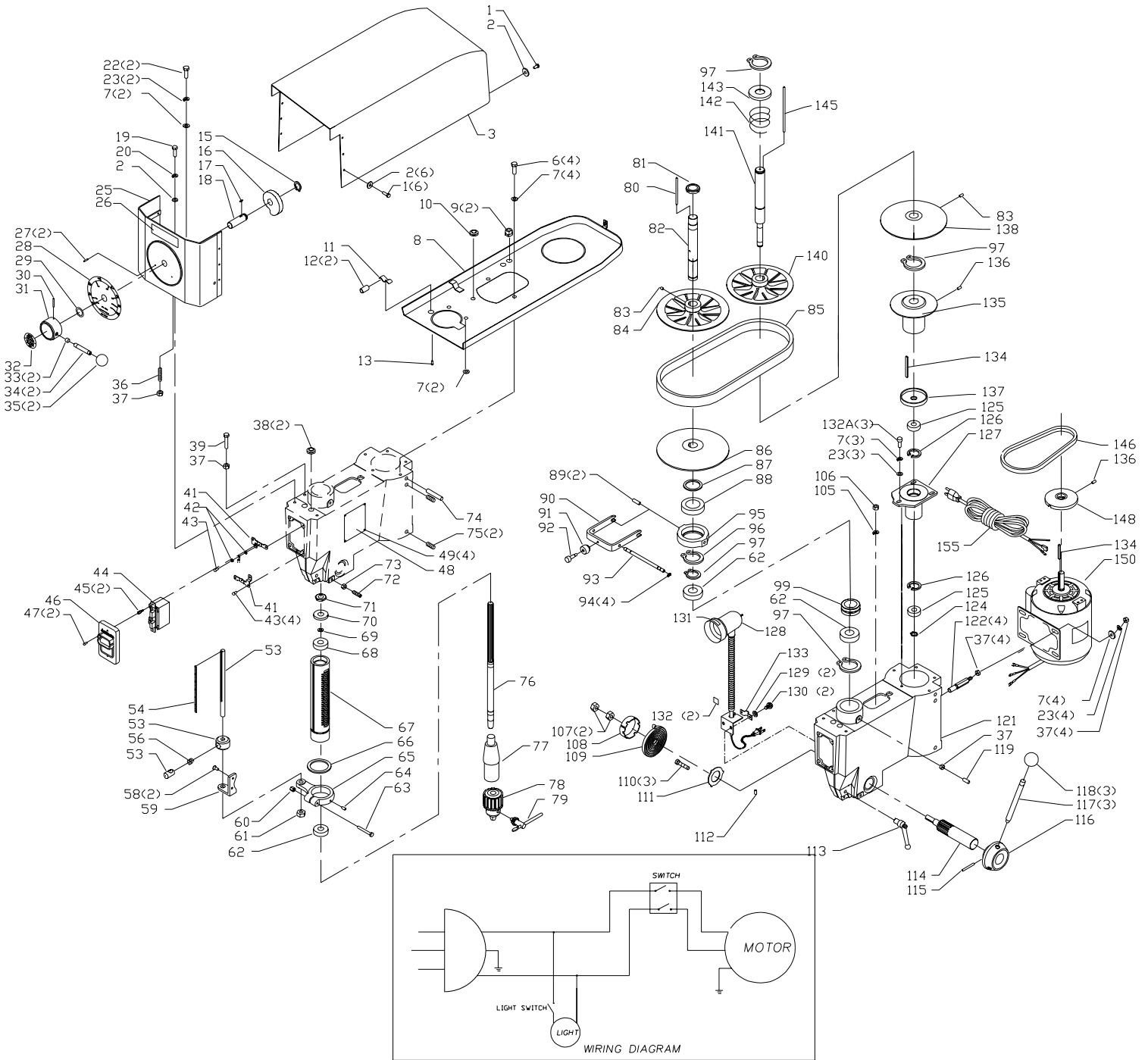


17-968
16 1/2" VARIABLE SPEED
DRILL PRESS

DP-4F

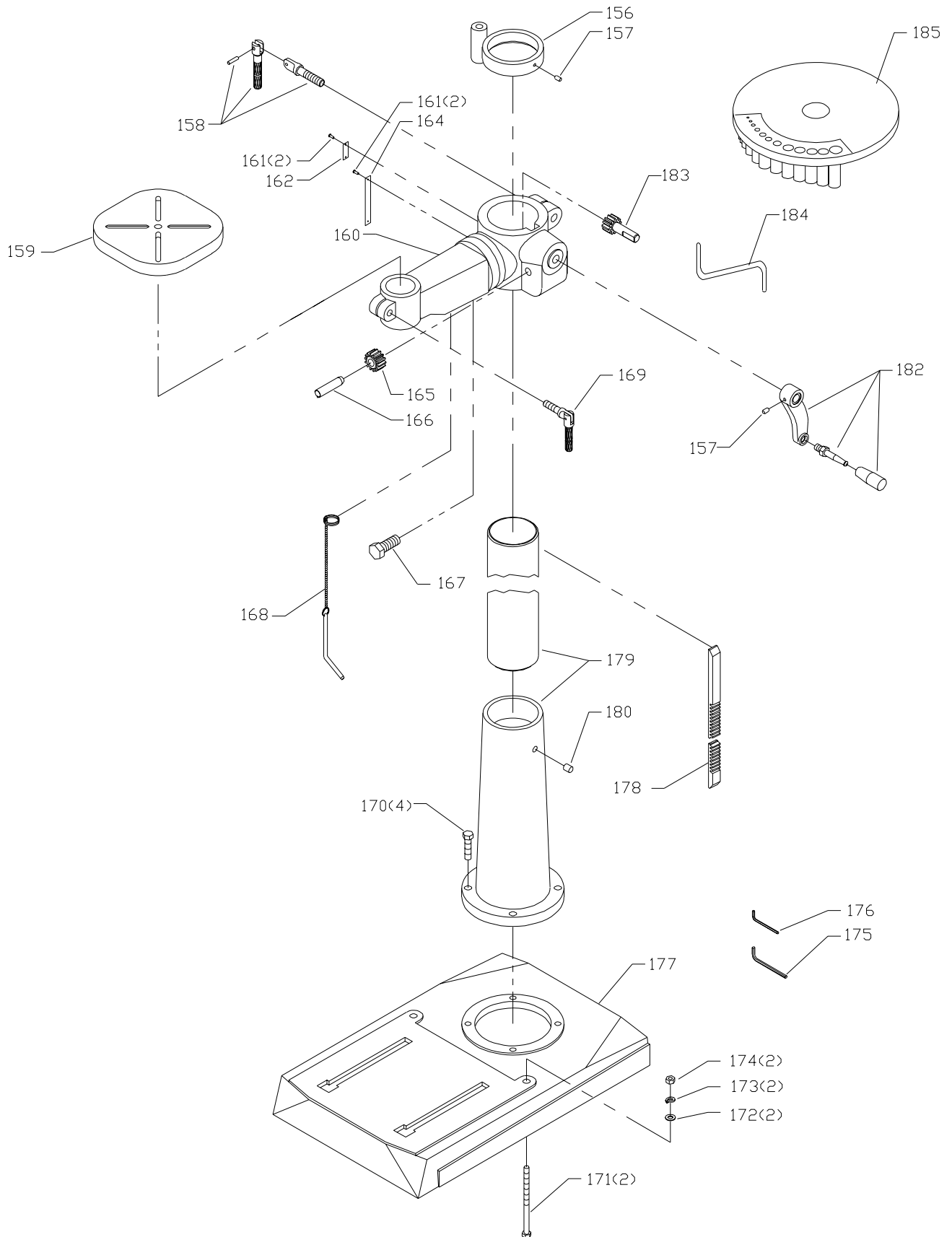
PART NO. 909125

DATE: 09-13-04



REPLACEMENT PARTS

Ref.			Ref.		
<u>No.</u>	<u>Part No.</u>	<u>Description</u>	<u>No.</u>	<u>Part No.</u>	<u>Description</u>
1	1347291	M6 X 12MM PAN HD SCREW	84	909165	UPPER SPINDLE PULLEY ASSY
2	1310062	M6.4MM FLAT WASHER	85	909149	BELT 30X890
3	909133	UPPER PULLEY COVER	86	909150	LOWER SPINDLE PULLEY ASSY
6	1342125	M8 X 1.25 X 12 HEX SOC HD SCREW	87	1346000	COLLAR
7	1344330	M8.4MM FLAT WASHER	88	1346068	BEARING
8	909134	BOTTOM PULLEY COVER	89	1246075	M8X24MM SPRING PIN
9	1310057	STRAIN RELIEF	90	n A07044	BRACKET - M8 THREADS, AFTER S/N 12240
10	1320155	GROMMET		1346002	BRACKET - M6 THREADS, BEFORE S/N 12241
11	1340719	CLAMP	91	n A07045	8MM ROLLER, AFTER S/N 12240
12	1343650	SLEEVE		909151	6MM ROLLER, BEFORE S/N 12241
13	1313192	M5 X 0.8 X 20 CHEESE HD SCREW	92	n A07046	8MM SPECIAL SCREW, AFTER S/N 12240
15	1346071	EXT RET RING		904143	6MM SPECIAL SCREW, BEFORE S/N 12241
16	1346034	CAM	93	1346005	HINGE ROD
17	1346072	3X10MM WOODRUFF KEY	94	1246064	EXT RET RING
18	909135	CAM SHAFT	95	1346001	BEARING HOUSING
19	1243336	M6 X 1.00 X 20 HEX SOC HD SCREW	96	1246069	EXT RET RING
20	1243520	M6MM LOCK WASHER	97	1341161	EXT RET RING
22	1246016	M8 X 1.25 X 25 HEX HD SCREW	99	909152	RETAINER
23	1246157	M8MM LOCK WASHER	105	1243360	M10.2MM LOCK WASHER
25	909136	SUPPORT BRACKET	106	902-01-120-1034	M10X1MM HEX NUT
26	909137	NAME PLATE	107	902-01-020-1227	JAM NUT
27	904109	4MM X 18MM PIN	108	909153	SPRING HOUSING
28	909139	SPEED SCALE	109	909154	SPRING
29	1313118	M21MM WAVE WASHER	110	1330398	M4 X 0.7 X 12 FLAT HD SCREW
30	904112	3MM X 30MM PIN	111	909155	SPRING SEAT
31	1346038	HUB	112	1343352	SPRING PIN
32	904250	DIAL WARNING LABEL	113	901192	HANDLE
33	1350492	3/8-16 X 5/16" HEX SOC SET SCREW	114	909156	PINION
34	1346039	ROD	115	1246185	M5 X 45MM SPRING PIN
35	1346040	BALL KNOB	116	1346026	HUB
36	1246112	M8 X 35MM HEX SOC SET SCREW	117	1346025	HANDLE
37	1243398	HEX NUT	118	1346024	BALL KNOB
38	1310056	GROMMET	119	1346023	16.5 SET SCREW
39	1246192	M08 X 1.25 X 45 HEX HD SCREW	121	909157	HEAD
41	1346041	SWITCH SUPPORT PLATE	122	909158	STUD
42	1320101	M5.3MM EXT TOOTH WASHER	124	909159	20MM DIA EXT RET RING
43	1342455	M5 X .8 X 10 PAN HD SCREW	125	920-04-010-7266	BEARING
44	1340095	1 PH MAN SWITCH	126	909160	47MM DIA EXT RET RING
45	402-07-104-5007	SPACER	127	909161	CENTER SUPPORT BRACKET
46	1340100	SWITCH COVER ASSY	128	1348937	LIGHT ASSY, INCL:
47	901-02-010-0567	#06-32X1/4" ROUND HD SCREW	129	1243520	6MM LOCK WASHER
48	900417	WARNING LABEL	130	1246004	M16X16MM HEX SOC HD SCREW
49	1310016	5MM DRIVE SCREW	131	900843	WARNING LABEL
53	A02567	STOP ROD	132	1348946	LIGHT CORD CLAMP
54	901167	TABLE BRKT ASSEMBLY	132A	1246053	M8 X 1.25 X 25 HEX SOC HD SCREW
56	1346046	SPRING	133	912845	CORD CLAMP
58	1246155	M6 X 1.00 X 12 FLAT HD SCREW	134	909162	KEY C5X5X30MM
59	909143	MOUNTING BRACKET	135	909163	CENTER PULLEY
60	1346049	CLAMP NUT	136	1341011	M8 X 1.25 X 10 HEX SOC SET SCREW
61	1343492	LOCKNUT	137	909164	SPECIAL WASHER
62	1312053	BEARING	138	909165	CENTER MIDDLE PULLEY ASSY
63	1346205	M6 X 45 HEX HD SCREW	140	909166	CENTER UPPER PULLEY ASSY
64	1243303	M6 X 1.00 X 12 HEX SOC SET SCREW	141	909167	CENTER SHAFT
65	909144	STOP COLLAR	142	1345994	SPRING
66	1346052	RUBBER WASHER	143	1345993	CAP
67	909145	QUILL	145	909168	NYLON ROD
68	920-04-020-5335	BEARING	146	909169	V-BELT
69	1311054	M17.5MM FLAT WASHER	148	909170	MOTOR PULLEY
70	1311055	RING	150	909171	MOTOR
71	1311056	NUT	155	1340707	POWER CORD
72	1311048	14 DP SET SCREW			
73	1243496	M10MM HEX NUT			
74	1346074	M10X55MM SPRING PIN			
75	1346075	M10 X 25MM HEX SOC SET SCREW			
76	909146	SPINDLE			
77	1312021	ARBOR			
78	1312022	CHUCK 5/8"			
79	1313105	CHUCK KEY			
80	1345988	NYLON ROD			
81	1345989	JAM NUT			
82	909147	SLEEVE			
83	1345991	16.5 SPECIAL SET SCREW			



REPLACEMENT PARTS

<u>Ref.</u>	<u>No.</u>	<u>Part No.</u>	<u>Description</u>
	156	909131	COLUMN RING
	157	1243321	M6 X 1.00 X 10 HEX SOC SET SCREW
	158	1311017	HANDLE
	159	901186	TABLE
	160	901187	TABLE BRACKET ASSEMBLY
	161	1310016	5MM DRIVE SCREW
	162	1311016	INDICATOR
	164	901176	SCALE
	165	1311007	PINION GEAR
	166	1311008	SHAFT
	167	1311012	5/8-11X1-1/2" HEX HD BOLT
	168	1346077	LOCK PIN W/CABLE
	169	1311018	HANDLE W/STUD
	170	1246029	M10 X 1.5 X 40 HEX HD SCREW
	171	1344329	M8 X 1.25 X 125 CARRIAGE HD SCREW
	172	1243526	M8MM FLAT WASHER
	173	1246157	M8MM LOCK WASHER
	174	1243398	HEX NUT
	175	432-07-101-0004	5MM HEX WRENCH
	176	428-06-101-0002	3MM HEX WRENCH
	177	1312001	BASE
	178	1312008	RACK
	179	909129	COLUMN ASSY
	180	1311003	14/17 DP HEX SOC SET SCREW
	182	1344257	HANDLE ASSY
	183	A06912	WORM GEAR
	184	903713	MOUNTING ARM
	185	17-939	DRILL BIT TRAY

STANDARD SAFETY EQUIPMENT

In order to promote tool safety, Delta Machinery strictly enforces the policy of repairing or replacing any damaged or missing standard safety equipment on machines presented to Delta Authorized Service Centers for service/repairs. Any product that is presented to a Delta Authorized Service Center for repair with damaged or missing standard safety equipment will have that equipment repaired or replaced and the customer will be charged for any such service/repairs. Customers can avoid such charges only if the missing safety component is supplied to the service center at the time of repair.

This parts list is provided to aid in obtaining service parts. Copies of the instruction and maintenance literature can be obtained through the Delta Technical Publications Department, your service outlet, or by visiting the Delta Website @ www.deltamachinery.com.