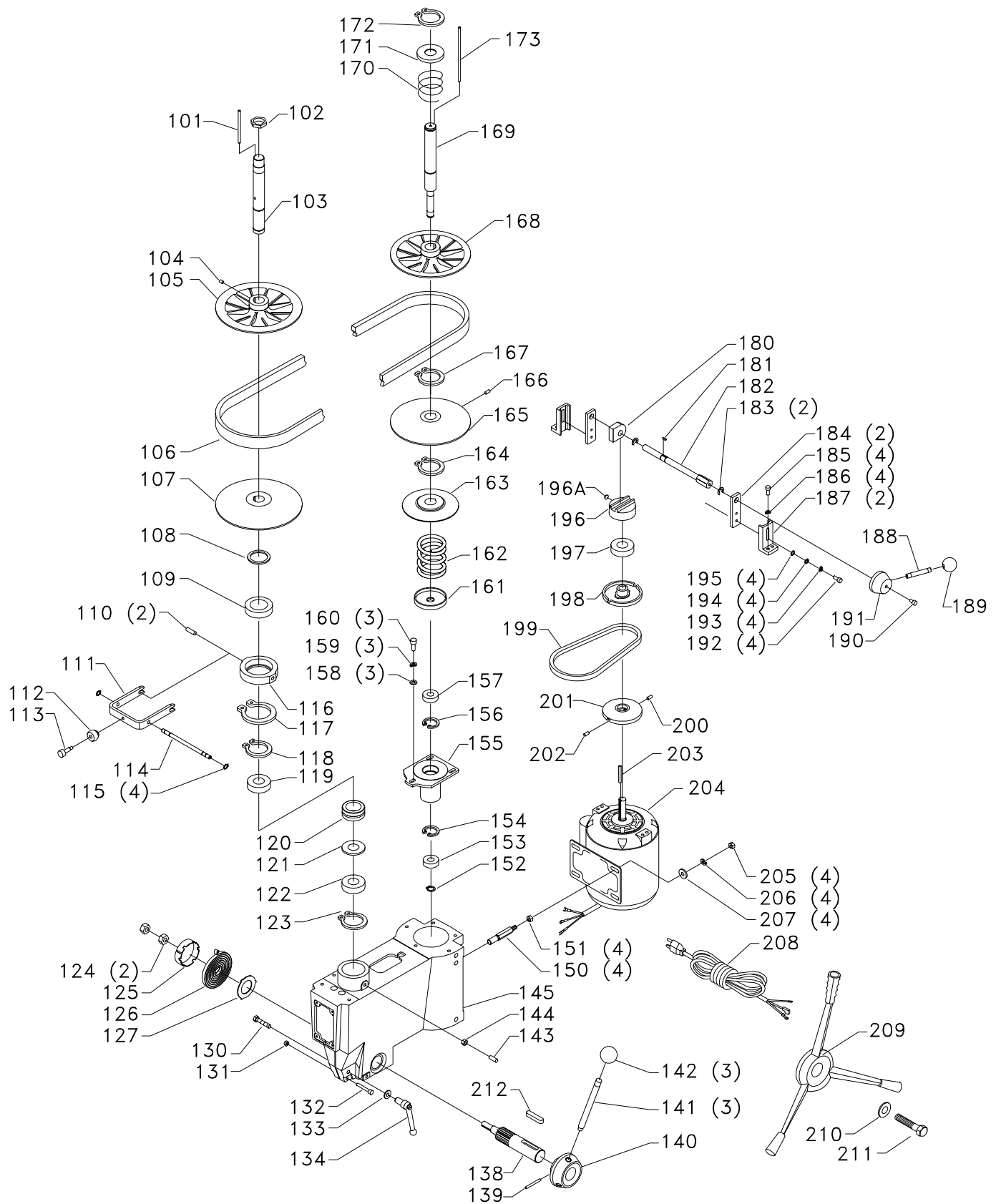


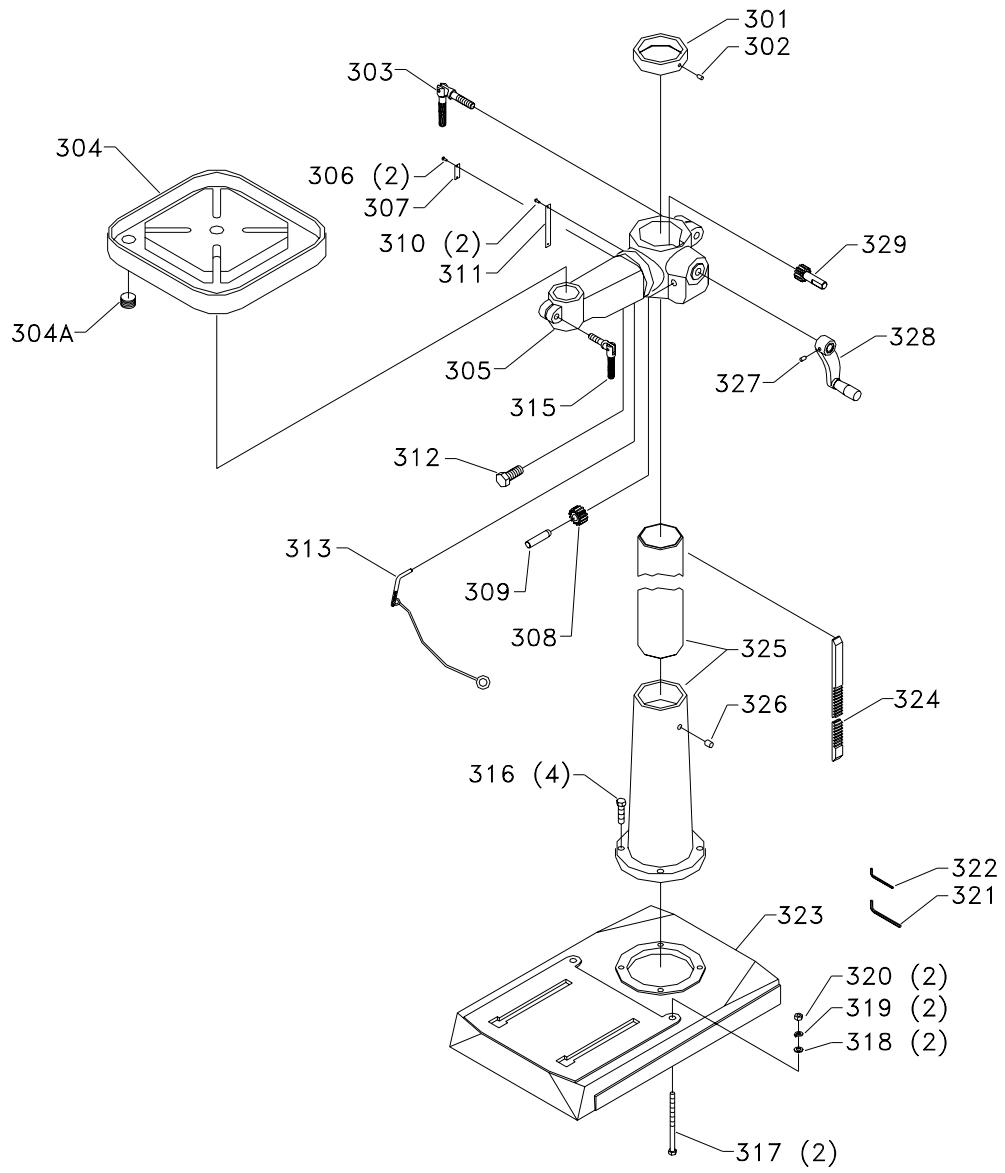
REPLACEMENT PARTS

Ref.			Ref.		
<u>No.</u>	<u>Part No.</u>	<u>Description</u>	<u>No.</u>	<u>Part No.</u>	<u>Description</u>
1	1246122	M8 X 16MM HEX SOC HD SCREW	56	901-02-010-0567	#06-32 X 1/4" ROUND HD SCREW
2	1344330	M8 FLAT WASHER	60	900417	WARNING LABEL, 17-925 T2, T3,, 17-990X
3	904236	GUARD, 17-925 T2, T3,, 17-990X		1346060	WARNING LABEL, 17-925 T1
	1346033	GUARD, 17-925 T1	61	1342455	M5 X 10MM PAN HD SCREW
4	904244	HIGH/LOW SPEED LABEL, 17-925 T2, T3,, 17-990X	62	A02567	STOP ROD
	1346042	HIGH/LOW SPEED LABEL, 17-925 T1	63	901197	SCALE, 17-925 T2, T3,, 17-990X
5	1341951	M6 X 10MM HEX HD SCREW		1346044	SCALE, 17-925 T1
7	1310057	STRAIN RELIEF	65	1346046	SPRING
8	1313192	M5 X 20MM CHEESE HD SCREW	67	1246155	M6 X 12MM FLAT HD SCREW
9	1340719	CLAMP	68	904238	MOUNTING BRACKET
10	1343650	SLEEVE		1346048	MOUNTING BRACKET
11	1346071	EXT RET RING	69	1346049	CLAMP NUT
12	1346034	CAM	70	1343492	M12 LOCKNUT
13	1346072	WOODRUFF KEY	71	1086894	BEARING
14	1346035	CAM SHAFT	74	1344653	M6 X 60MM HEX HD SCREW
15	1246016	M8 X 25MM HEX HD SCREW	75	1243303	M6 X 12MM HEX SOC SET SCREW
16	1246157	M8.1 LOCK WASHER	76	904239	STOP COLLAR, 17-925 T2, T3,, 17-990X
17	1344330	M8 FLAT WASHER		1346053	STOP COLLAR, 17-925 T1
18	904237	SUPPORT BRACKET, 17-925 T2, T3,, 17-990X	77	1346052	RUBBER WASHER
	1346036	SUPPORT BRACKET, 17-925 T1	78	1346051	QUILL
18A	910381	NAMEPLATE, 17-990X	79	1086894	BEARING
	910380	NAMEPLATE, 17-925 T3	80	1346054	SPECIAL NUT
	904246	NAMEPLATE, 17-925 T2, T3,	81	1346055	SPECIAL SCREW
	1346078	NAMEPLATE, 17-925 T1	82	1243398	M8 HEX NUT
19	1246147	M3 X 14MM SPRING PIN	83	1346074	M10 X 55MM SPRING PIN
20	904248	SPEED SCALE, 17-925 T2, T3,, 17-990X	84	1346075	M10 X 25MM HEX SOC SET SCREW
	1346059	SPEED SCALE, 17-925 T1	85	1346056	SPINDLE ASSY, INCL
21	1313118	M21 WAVE WASHER	86	1346050	SPINDLE COLLAR
22	1246118	M3 X 24MM SPRING PIN	87	1310311	M4 X 22MM SPRING PIN
23	1346038	HUB	88	1346062	DRILL CHUCK, INCL.:
24	904250	WARNING LABEL	89	1346063	KEY
25	901-04-150-1111	3/8-16 X 3/8" HEX SOC SET SCREW	90	25-858	LAMP, INCL.:
26	1346039	ROD	91	1346716	M6 X 25MM PAN HD SCREW
27	910818	BALL KNOB, 17-990X	93	1346140	HEX NIPPLE 1/4"
	1346040	BALL KNOB, 17-925	94	1243520	M6.1 LOCK WASHER
28	1246151	M8 X 40MM HEX SOC SET SCREW	95	1243456	M6 HEX NUT
29	1243398	M8 HEX NUT	96	904243	TOP COVER, INCL.:
41	1346058	GROMMET		1346840	TOP COVER, INCL.:
42	1246192	M8 X 45MM HEX HD SCREW	97	1346291	M5.3 FLAT WASHER
43	1243398	M8 HEX NUT	98	1313180	M5 X 12MM CHEESE HD SCREW
44	1346041	SWITCH SUPPORT PLATE	99	HP17925	HARDWARE PACK
45	1343521	M5.3 INT TOOTH WASHER			
46	1342455	M5 X 10MM PAN HD SCREW			
47	1340095	1 PH MAN SWITCH			
48	402-07-104-5007	SPACER			
55	1340100	SWITCH COVER ASSY			



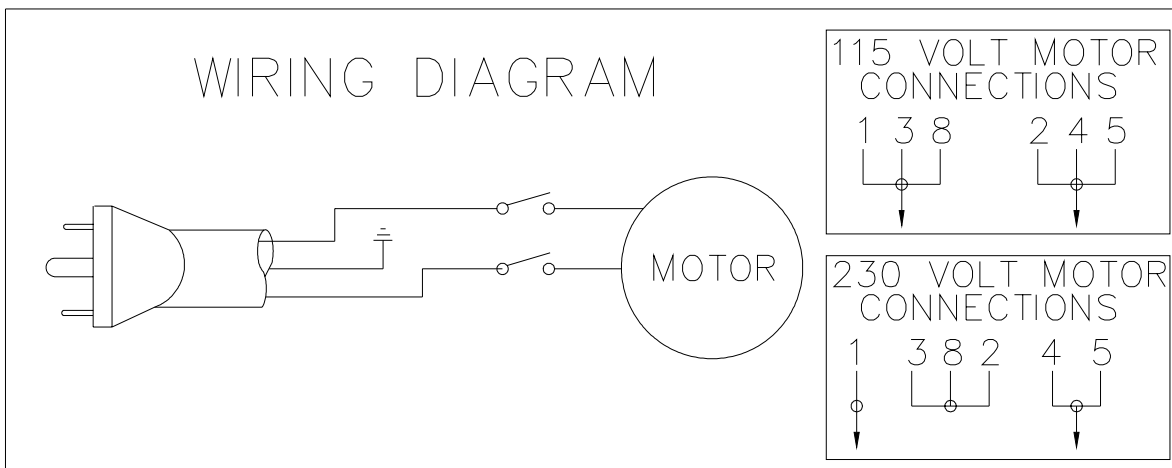
REPLACEMENT PARTS

Ref.			Ref.		
<u>No.</u>	<u>Part No.</u>	<u>Description</u>	<u>No.</u>	<u>Part No.</u>	<u>Description</u>
101	1345988	NYLON ROD	158	1243526	M8.4 FLAT WASHER
102	1345989	JAM NUT	159	1246157	M8.1 LOCK WASHER
103	1345990	SLEEVE	160	1246054	M8 X 20MM HEX SOC HD SCREW
104	1345991	SPECIAL SET SCREW	161	1346011	SPRING SUPPORT
105	1345992	SPINDLEPULLEYASSY UPPER	162	1346010	SPRING (LOWER)
106	1345998	BELT (1922V363)	163	1346009	CTR PULLEY ASSY LOWER
107	1345999	SPINDLEPULLEYASSY LOWER	164	1341161	EXT RET RING
108	1346000	COLLAR	165	1346008	CENTERPULLEYASSY MIDDLE
109	1346068	BEARING	166	1345991	SPECIAL SET SCREW
110	1246075	M8 X 24MM SPRING PIN	167	1341161	EXT RET RING
111	n A07044	BRACKET - M8 THREADS, AFTER S/N 12240	168	1345997	CENTERPULLEYASSY UPPER
	1346002	BRACKET - M6 THREADS, BEFORE S/N 12241	169	1345995	CENTER SHAFT
112	n A07045	8MM ROLLER, AFTER S/N 12240	170	1345994	SPRING
	1346003	6MM ROLLER, BEFORE S/N 12241	171	1345993	CAP
113	n A07046	8MM SPECIAL SCREW, AFTER S/N 12240	172	1341161	EXT RET RING
	1346004	6MM SPECIAL SCREW, BEFORE S/N 12241	173	1345996	NYLON ROD
114	1346005	HINGE ROD	180	1346013	CAM
115	1347867	EXT RET RING	181	1346069	KEY
116	1346001	BEARING HOUSING	182	1346014	SHAFT
117	1246069	EXT RET RING	183	1246058	EXT RET RING
118	1341161	EXT RET RING	184	1346015	PLATE
119	920-04-020-5360	BEARING	185	1243336	M6 X 20MM HEX SOC HD SCREW
120	1346006	RETAINER	186	1243520	M6.1 LOCK WASHER
121	1346007	WAVE WASHER	187	1346016	SUPPORT BRACKET
122	920-04-020-5360	BEARING	188	1342166	STUD
123	1341161	EXT RET RING	189	910820	BALL, 17-990X
124	902-01-020-1227	1/2-20 JAM NUT		903302	BALL, 17-925
125	1346030	SPRING HOUSING	190	1342220	SPECIAL SCREW
126	1346031	SPRING	191	1342165	HUB
127	1346032	SPRING PLATE	192	1243336	M6 X 20MM HEX SOC HD SCREW
130	1246192	M8 X 45MM HEX HD SCREW	193	1243520	M6.1 LOCK WASHER
131	1346029	CLAMP NUT	194	1246140	M6.4 FLAT WASHER
132	1243331	M6 X 40MM HEX SOC HD SCREW	195	1313361	M6.4 EXT TOOTH WASHER
133	1243526	M8.4 FLAT WASHER	196	1346017	BEARING CAP
134	910819	LOCK HANDLE ASSY, 17-990X	196A	1349811	BUMPER
	1346028	LOCK HANDLE ASSY, 17-925	197	920-04-020-5360	BEARING
138	910821	PINION ASSY, 17-990X	198	1346018	MOTORPULLEYASSY UPPER
	1346027	PINION ASSY, INCL.: 17-925	199	49-139	DRIVE BELT
139	1246185	M5 X 40MM SPRING PIN, 17-925	200	1243321	M6 X 10MM HEX SOC SET SCREW
140	1346026	HUB, 17-925	201	1346019	MOTORPULLEYASSY LOWER
141	1346025	HANDLE, 17-925	202	1345991	SPECIAL SET SCREW
142	1346024	BALL KNOB, 17-925	203	1346070	KEY
143	1346023	SPECIAL SET SCREW	204	1346020	MOTOR 3/4HP 1PH
144	1243398	M8 HEX NUT	205	1243398	M8 HEX NUT
145	904240	HEAD, 17-925 T2, T3,, 17-990X	206	1246157	M8.1 LOCK WASHER
	1346022	HEAD, 17-925 T1	207	1344330	M8 FLAT WASHER
150	1346021	STUD	208	1346037	POWER CORD
151	1243398	M8 HEX NUT	209	910822	HANDLE ASSY, 17-990X
152	1246196	EXT RET RING	210	911366	WASHER, 17-990X
153	1320105	BEARING	211	1246135	BOLT, 17-990X
154	1246145	INT RET RING	212	911367	KEY, 17-990X
155	1346012	CENTER SUPPORT BRACKET			
156	1246145	INT RET RING			
157	1320105	BEARING			



REPLACEMENT PARTS

Ref.	Part No.	Description
301	901168	RING, 17-925 T2, T3,, 17-990X
	1312009	RING, 17-925 T1
302	1243321	M6 X 10MM HEX SOC SET SCREW
303	1346080	HANDLE
304	904241	TABLE, 17-925 T2, T3,, 17-990X
	1346079	TABLE, 17-925 T1
304A	1346076	PLUG
305	904242	TABLE BRACKET ASSY, INCL.:
306	1310016	5MM DRIVE SCREW
307	1311016	INDICATOR
308	1311007	PINION GEAR
309	1311008	SHAFT
310	1310016	5MM DRIVE SCREW
311	1311015	SCALE
312	1346067	5/8-11 X 1 1/2" HEX HD SCREW
313	1346077	LOCK PIN W/CABLE
315	1311018	HANDLE W/STUD
316	1246029	M10 X 40MM HEX HD SCREW
317	1344329	M8 X 125MM CARRIAGE HD SCREW
318	1344330	M8 FLAT WASHER
319	1246157	M8.1 LOCK WASHER
320	1243398	M8 HEX NUT
321	432-07-101-0004	5MM HEX WRENCH
322	428-06-101-0002	3MM HEX WRENCH
323	1346082	BASE
324	1346823	RACK
325	1346831	COLUMN
326	1311003	(DIN 913) M10 X 12MM HEX SOC SET SCREW
327	1243321	(DIN 916) M6 X 10MM HEX SOC SET SCREW
328	1344257	HANDLE ASSY
329	A06912	WORM GEAR



STANDARD SAFETY EQUIPMENT

In order to promote tool safety, Delta Machinery strictly enforces the policy of repairing or replacing any damaged or missing standard safety equipment on machines presented to Delta Authorized Service Centers for service/repairs. Any product that is presented to a Delta Authorized Service Center for repair with damaged or missing standard safety equipment will have that equipment repaired or replaced and the customer will be charged for any such service/repairs. Customers can avoid such charges only if the missing safety component is supplied to the service center at the time of repair.

This parts list is provided to aid in obtaining service parts. Copies of the instruction and maintenance literature can be obtained through the Delta Technical Publications Department, your service outlet, or by visiting the Delta Website @ www.deltamachinery.com.