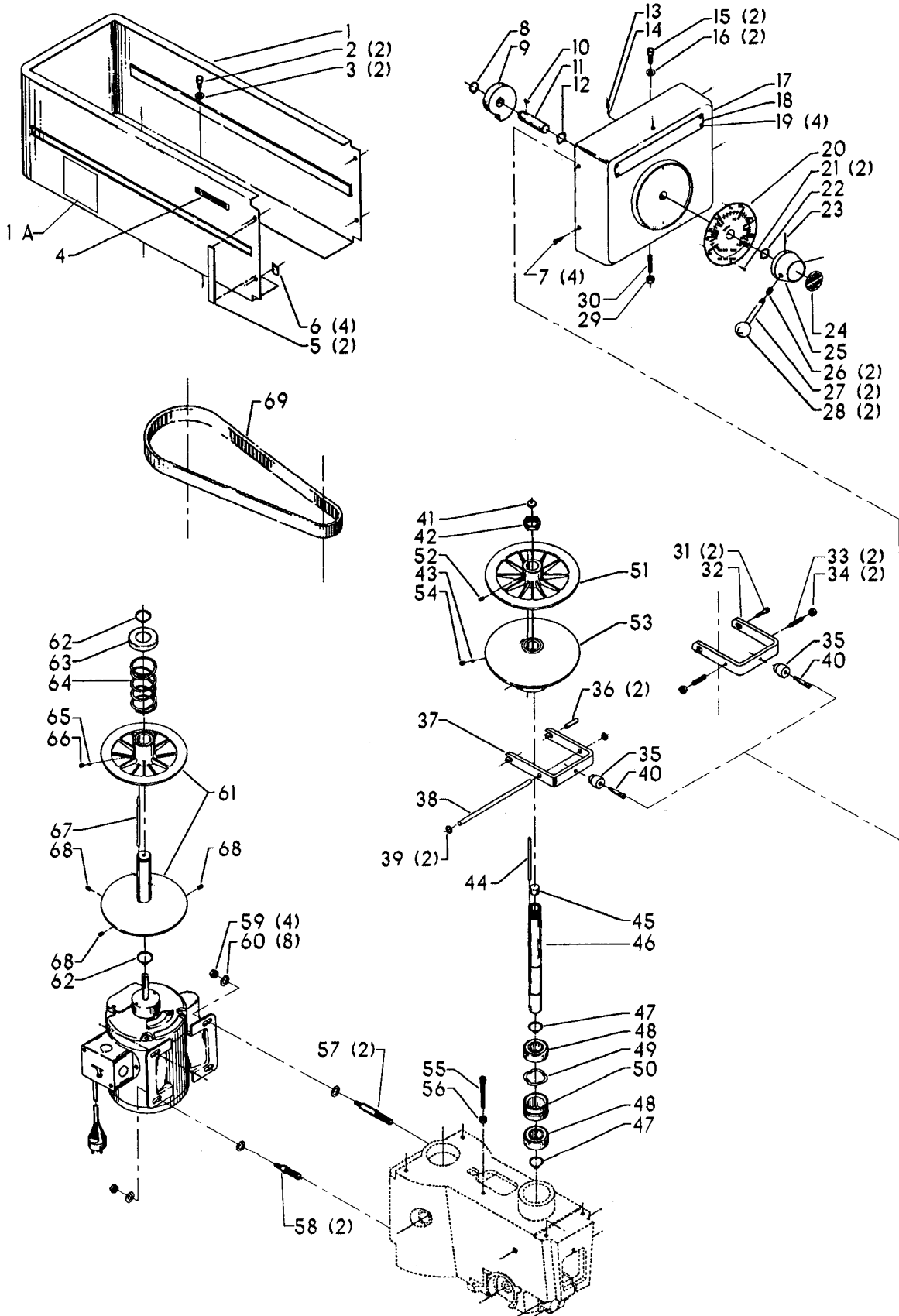


15-467, 15-469, 15-471, 15-475
15" VARIABLE SPEED DRILL PRESS
6" TRAVEL
(FOR UNITS W/SERIAL NO 139-3001 & HIGHER)



REPLACEMENT PARTS

REF NO	PART NUMBER	DESCRIPTION	REF NO	PART NUMBER	DESCRIPTION
1	402-04-054-5014	GUARD - REAR	*	402-04-405-5012	PULLEY ASSY (See Service Notes A & C), INCL:
1A	402-00-752-0001	WARNING LABEL			PLUG
2	901-01-060-0605	5/16-18 X 1/2" HEX HD SCREW	41	402-04-074-5002	JAM NUT
3	904-01-010-1620	FLAT WASHER	42	426-04-079-5006	DRAG PLUG
4	960-03-010-2415	DECAL	43	402-04-063-5001	ROD
5	402-07-104-5004	SPACER	44	402-04-108-5021	WICK
6	902-03-050-2974	#10-24 SPEED NUT	45	402-04-099-5001	SLEEVE (See Service Note C)
7	901-05-193-1196	#10 x 1" TRUSS HD SCREW	46	402-04-105-5012	EXT RET RING
8	904-15-010-7008	EXT RET RING	47	904-15-010-7025	BALL BEARING
9	402-04-019-5001	CAM	48	920-04-020-5360	SPRING WASHER
10	927-01-010-2633	KEY	49	928-06-010-7352	RETAINER
11	402-04-106-5010	SHAFT	50	402-04-079-5001	PULLEY HALF, INCL:
12	928-06-011-8888	1/4-20 X 1/4" HEX SOC SET SCREW	51	926-05-992-0649	1/4-20 X 1/4" HEX SOC SET SCREW
13	901-04-150-0208	1/4-20 X 1/4" HEX SOC SET SCREW	52	901-04-150-0208	PULLEY ASSY (See Service Notes A & C), INCL:
14	402-04-063-5001	DRAG PLUG	53	926-05-993-1115	SCREW
15	901-01-060-0607	5/16-18 X 3/4" HEX HD SCREW	54	901-04-150-9439	PULLEY ASSY (See Service Note B), INCL:
16	904-01-010-1620	FLAT WASHER	*	1202921	PLUG
17	402-04-054-5013	FRONT GUARD (See Service Note A)	41	402-04-074-5002	JAM NUT
17	402-04-054-5018	GUARD (See Service Note B)	42	426-04-079-5006	DRAG PLUG
18	424-03-754-0001	NAMEPLATE	43	402-04-063-5001	ROD
19	901-06-450-2250	#04 X 3/16" ROUND HD SCREW	44	402-04-108-5021	WICK
20	402-04-037-5006	DIAL	45	402-04-099-5001	SLEEVE (See Service Note C)
21	901-06-450-2250	#04 X 3/16" ROUND HD SCREW	46	402-04-105-5012	EXT RET RING
22	928-06-011-8888	WASHER	47	904-15-010-7025	BALL BEARING
23	402-04-075-5003	POINTER	48	920-04-020-5360	SPRING WASHER
24	402-04-072-5008	INSTRUCTION PLATE	49	928-06-010-7352	RETAINER
25	402-04-107-5001	HUB	50	402-04-079-5001	PULLEY HALF, INCL:
26	901-04-150-1111	3/8-16 X 3/8" HEX SOC SET SCREW	51	926-05-992-0649	1/4-20 X 1/4" HEX SOC SET SCREW
27	1202610	ROD ASSY, INCL:	52	901-04-150-0208	PULLEY ASSY (See Service Note B), INCL:
28	931-01-011-3519	HANDLE - SCREW ON (Early Models Only)	53	926-05-993-1116	SCREW
29	902-01-020-5435	5/16-18 JAM NUT	54	901-04-150-9439	5/16-18 X 2" HEX SOC SET SCREW
30	901-04-190-0287	5/16-18 X 1 1/4" HEX SOC SET SCREW	55	901-04-060-0317	5/16-18 JAM NUT
31	901-03-061-2470	SCREW (See Service Note A)	56	902-01-020-5435	STUD
32	402-04-014-5013	BRACKET (See Service Note A)	57	402-04-111-5002	STUD
33	901-04-130-4558	5/16-18 X 1 1/4" HEX SOC SET SCREW (See Service Note A)	58	402-04-111-5001	5/16-18 JAM NUT
34	902-01-020-5435	5/16-18 JAM NUT (See Service Note A)	59	902-01-020-5435	WASHER
35	402-04-080-5001	ROLLER	60	904-10-031-5381	MOTOR PULLEY (1/2" BORE), INCL:
36	905-01-010-2734	5/16" X 1" SPRING PIN (See Service Note B)	61	41-952	MOTOR PULLEY (5/8" BORE), INCL:
37	1202879	BRACKET (See Service Note B)	61	41-953	EXT RET RING
38	1200219	ROD (See Service Note B)	62	904-15-010-7017	CAP
39	0906855	CLIP (See Service Note B)	63	402-04-020-5001	SPRING
40	901-03-061-2471	1/4-20 X 3/4" HEX HD SCREW	64	928-01-601-8887	DRAG PLUG
			65	402-04-063-5001	1/4-20 X 1/4" HEX SOC SET SCREW
			66	901-04-190-9415	ROD
			67	402-04-108-5020	1/4-20 X 1/4" HEX SOC SET SCREW
			68	901-04-150-0208	VARIABLE SPEED BELT
			69	49-415	

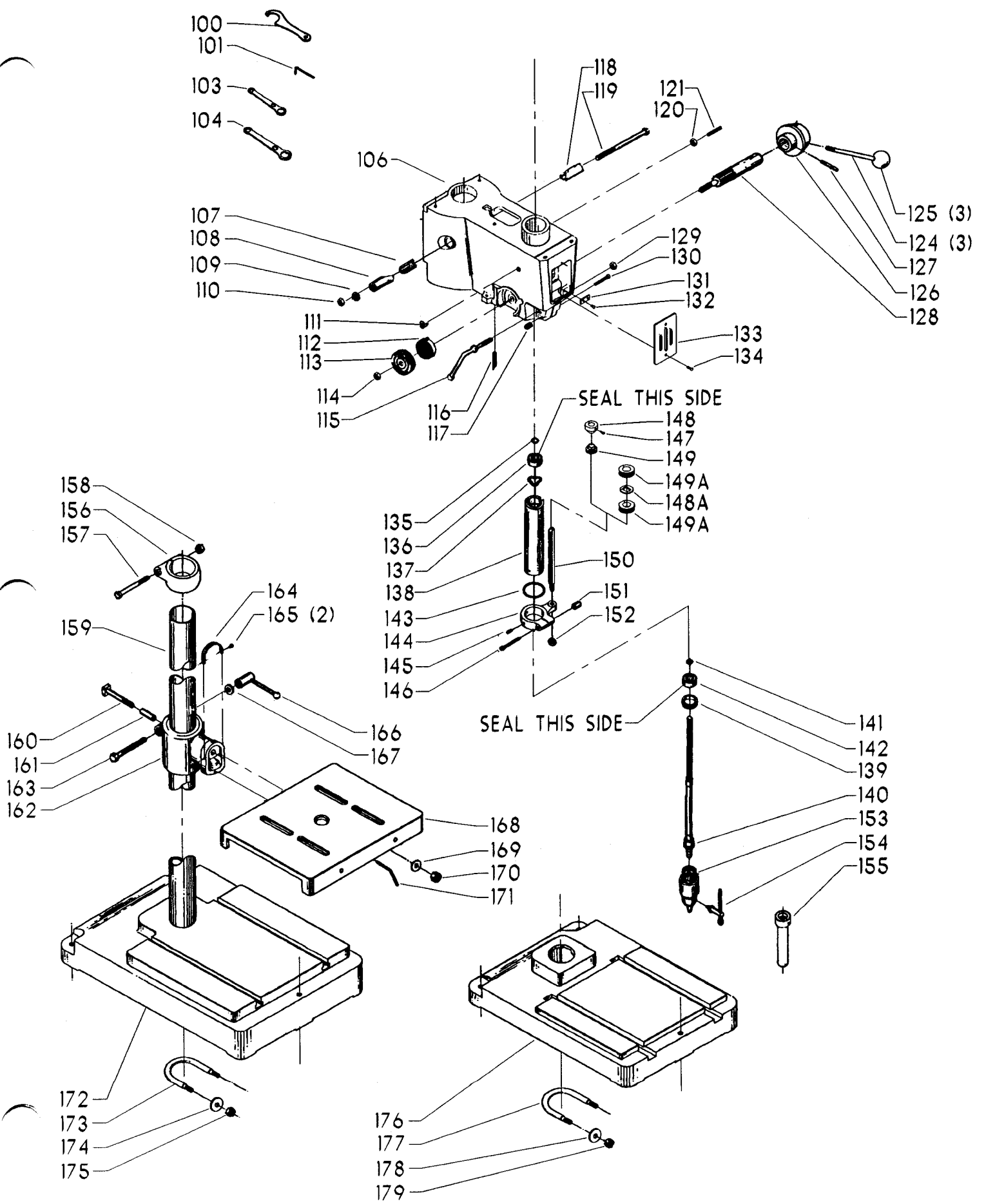
* NOT SHOWN ASSEMBLED

SERVICE NOTES:

A - Early Models Only, with Serial No 166-9345 and below.

B - Current Models Only, with Serial No 166-9346 and above.

C - When replacing the spindle sleeve or the spindle pulley on machines with serial numbers between 139-3001 and 146-4269, the complete spindle pulley assembly, 402-04-405-5012 must be ordered.



REPLACEMENT PARTS

REF NO	PART NUMBER	DESCRIPTION	REF NO	PART NUMBER	DESCRIPTION
100	15-838	SPANNER WRENCH (<i>Early Models Only</i>)	144	402-04-314-5007	STOP COLLAR, INCL:
101	48-273	WRENCH (<i>Early Models Only</i>)	145	901-04-150-0278	#10-32 X 1/2" HEX SOC SET SCREW
103	955-01-020-0023	.567" X .88" BOX END WRENCH (<i>Early Models Only</i>)	146	901-01-060-0622	1/4-20 X 2" HEX HD SCREW
104	955-01-020-0022	.442" X .561" BOX END WRENCH (<i>Early Models Only</i>)	*	402-04-408-5005	ROD ASSY, CONST OF:
106	402-04-057-5009	HEAD CASTING	147	901-04-260-1534	#06-32 X 1/4" THUMB SCREW (<i>Early Models Only</i>)
107	402-03-027-5002	CLAMP	148	402-04-012-5001	HOLDING NUT (<i>Early Models Only</i>)
108	402-03-105-5003	SLEEVE	148A	904-01-103-1317	FLAT WASHER (<i>Current Models Only</i>)
109	904-01-031-2905	FLAT WASHER	149	402-04-088-5005	MICRO STOP - ENGLISH (<i>Early Models Only</i>)
110	902-01-010-1282	1/2-13 HEX NUT	149A	402-12-068-5001	MICRO STOP - METRIC (<i>Early Models Only</i>)
111	907-01-050-5239	OILER	150	402-04-108-5007	KNURLED NUT (<i>Current Models Only</i>)
112	402-04-331-5002	PINION RET SPRING	151	931-02-141-4087	STOP ROD
113	402-04-031-5001	HOUSING	152	902-01-010-5900	CLAMP NUT
114	902-01-281-7295	1/4-20 HEX NUT	153	15-830	3/8-16 JAM NUT
115	402-04-068-5001	BALL CRANK	154	65-104	CHUCK, INCL:
116	402-04-112-5001	ADJUSTING SCREW	155	15-833	KEY
117	902-01-200-9706	1/4-20 HEX NUT	156	15-010	#2MT ADAPTER
118	402-03-105-5001	SLEEVE	157	901-01-060-0641	SUPPORT COLLAR, INCL:
119	901-01-060-0612	1/4-20 X 5/8" HEX HD SCREW	158	902-01-040-1004	1/4-20 X 3 1/2" HEX HD SCREW
120	902-01-020-5435	5/16-18 JAM NUT	159	15-804	7/16-14 JAM NUT
121	901-04-010-0378	5/16-18 X 7/8" HEX SOC SET SCREW	159	15-805	2-3/4 X 33-3/4" COLUMN (<i>BENCH MODEL</i>)
1124	1202603	STUD W/BALL, INCL:	159	15-806	2-3/4 X 38-3/4" COLUMN (<i>BENCH MODEL</i>)
125	931-01-011-3519	HANDLE - SCREW ON (<i>Early Models Only</i>)	159	15-810	2-3/4 X 65-1/4" COLUMN (<i>FLOOR MODEL</i>)
125	1201642	KNOB - SLIP ON (<i>Current Models Only</i>)	*	15-809	2-3/4 X 78" COLUMN (<i>FLOOR MODEL</i>)
*	402-04-407-5004	HUB ASSY, CONST OF:	160	901-11-010-7862	TABLE COMPLETE, CONST OF:
126	402-04-107-5002	HUB	161	402-04-105-5005	1/2-13 X 2 3/4" SQUARE HD SCREW
127	905-01-010-6745	3/16" X 1 7/8" SPRING PIN	162	402-02-314-5001	SLEEVE
128	402-04-051-5009	PINION	163	901-01-060-0643	BRACKET ASSY, INCL:
129	902-01-010-1232	7/16-20 JAM NUT	164	402-04-072-5002	1/2-13 X 4" HEX HD SCREW
130	901-03-013-1026	1/4-20 X 1 3/4" HEX SOC HD SCREW	165	901-06-450-2849	SCALE
131	438-01-021-0081	SWITCH BRACKET	166	931-04-991-3461	#06 X 1/4" ROUND HD SCREW
132	901-06-120-3019	#06-32 X 1/2" ROUND HD SCREW	167	904-10-031-3893	CLAMP NUT
133	402-04-031-5002	COVER	168	402-04-091-5004	WASHER
134	901-06-120-3015	SELF TAPPING SCREW	169	904-01-010-1636	TABLE
*	402-04-377-5003	QUILL ASSY, CONST OF:	170	902-01-100-1028	FLAT WASHER
135	904-15-010-7411	EXT RET RING	171	402-02-071-5001	1/2-13 HEX NUT
136	920-04-020-5384	BALL BEARING	172	402-04-005-5006	INDEX PIN
137	928-06-011-4127	SPRING	173	402-04-027-5003	BASE - FLOOR
138	402-04-077-5002	QUILL	174	904-01-010-1607	CLAMP
139	902-07-020-7176	BEARING CLOSURE NUT	175	902-01-010-5437	1/2" FLAT WASHER
140	402-04-385-5006	SPINDLE, INCL:	176	402-04-005-5008	7/16-14 HEX NUT
141	904-15-010-7410	EXT RET RING	177	402-04-027-5003	BASE - BENCH
142	920-04-020-5384	BALL BEARING	178	904-01-010-1607	CLAMP
143	908-00-000-3769	GASKET	179	902-01-010-5437	1/2" FLAT WASHER
			*	NOT SHOWN ASSEMBLED	7/16-14 HEX NUT

STANDARD SAFETY EQUIPMENT

In order to promote tool safety, Delta International Machinery Corp. strictly enforces the policy of repairing or replacing any damaged or missing standard safety equipment on machines presented to Delta Authorized Service Center for service/repairs. Any product which is presented to a Delta Authorized Service Center for repairs which contains missing or damaged standard safety equipment will have that equipment repaired or replaced and the customer will be charged for any such service/repairs. Customers can avoid such charges only if the missing safety component is supplied to the service center at the time of repair.

This parts list is provided to aid in obtaining service parts. Copies of the instruction and maintenance literature can be obtained through the Delta Technical Publications Department or through your local service outlet.