

REF. NO. PART NO. DESCRIPTION

1	1014349	Bracket
2	1014350	(2) 5/16-18 X 1/2" Hex Hd. Scr.
3	1014562	(2) Washer
4	1011326	#10-24 Rd. Hd. Scr.
5	1014342	Cover Plate
6	Data Plate On Request	
7	1014370	(4) #4 X 1/4" Drive Screw
8	1014908	Drive Hub
9	1014356	Pin
10	1014353	(2) 5/16-18 X 5/16" Soc. Set Scr.
11	1014361	Bushing
12	1014907	Bearing
13	1014363	Pinion
14	1014358	Housing
15	1009424	Bearing
16	1014362	Washer
17	1006965	Retaining Ring
18	1014352	Rack
19	1010827	Fitting
20	1009371	O-Ring
21	1015720	Yoke
22	1015719	(2) Screw
23	1015729	5/16-18 X 1" Hex Soc. Hd. Cap Scr.
24	1014852	Pad
25	1014157	#10-32 X 1/4" Soc. Set Scr.
26	1023272	Adj. Screw Assy
27	1014340	Retainer Nut
28	1014260	Spring
29	1014336	Antirotation Pin
30	1010784	Retaining Ring
31	1010213	Screw
32	1014339	(4) Indicator Rod
33	1010043	(4) O-Ring
34	1014479	(4) Retaining Ring
35	1010706	O-Ring
36	1008130	O-Ring
37	1014864	Piston
38	1005080	1/4" Dia. Ball
39	1015900	Filter
40	1014705	Filter Retainer
40A	1015850	Filter Retainer
41	1008836	Retaining Ring
41A	1013701	O-Ring
42	1014956	Draw Bar
43	1015740	Seal
44	1023509	Cylinder Block Assy, Incl: 43,46,47
45	1014519**	1/4" Nylon Tubing 7-7/8" Long
46	1010327	Elbow
47	1010669	O-Ring
48	1014334	Inner Cylinder
49	1014335	Outer Cylinder
50	1015739	Seal
52	1015722	O-Ring
53	1011530	O-Ring
54	1014331	O-Ring
55	1023934**	Piston, Incl: 50,52
58	1008695	O-Ring
59	1010669	O-Ring
60	1014345	(2) Tube
61	1008127	(8) O-Ring
62	1014359	(2) Tie Bar
*	1024381	Cycle Comp. Signal Assy, Incl: Ref. 63-73
63	1012381	Snap Ring
64	1014395	Retainer
65	1012387	Spring
66	1008173	O-Ring
67	1016395	Push Rod
68	1014212	Snap Ring
69	1008261	O-Ring
70	1016390	Valve Body
70A	1016389	Valve Cap
71	1012369	O-Ring
72	1012364	Ball
73	1012386	Spring
74	1008209	Plug
75	1014316	(4) Valve
76	1014315	(2) Piston
77	1014313	(3) Retaining Ring
78	1012994	(2) O-Ring
79	1014314	(2) Plug

REF. NO. PART NO. DESCRIPTION

80	1008129	(2) O-Ring
82	1014360	(2) 5/16-18 Hex Nut
83	1014347	(2) 3/8-16 Hex Nut
84	1014312	(2) Valve
85	1008674	(2) O-Ring
86	1023394	Stop Assy
87	1014328	Stop Pawl
88	1015787	1/4-20 X 3/16" Soc. Set Scr.
89	1015786	Stop Collar
90	1023978**	Knob
91	1014510	(2) 3/8-16 X 3/4" Soc. Hd. Scr.
92	1005080	(2) Ball (1/4")
93	1022946	Rear Head
94	1014317	(2) Spacer
95	1014316	(4) Valve
96	1014319	(2) Washer
97	1014318	(2) Stop Nut
98	1014466	Muffler
100	1014706	Reducer Bushing
101	1014346	1/4" Nipple
102	1014348	Pipe Tee
104	1014351**	1/4" Nylon Tubing 15-1/2" Long
105	0904156	1/4-18 90 Degree Str. Elbow
106	0904715	1/4 X 1-1/4" Nipple
107	1200313	Airline Comb. Unit
108	1014954	Cover
109	1010593	(3) #8-32 X 3/8" Rd. Hd. Scr.
112	1023273	Valve Block
113	1010325	(3) Tube Connector
114	1008110	O-Ring
115	1014325	Valve Stem
117	1010216	O-Ring
118	1014323	Valve Body
119	1010043	O-Ring
120	1008695	O-Ring
121	1014354	(4) #10-24 X 1-1/2" Soc. Hd. Scr.
122	1008695	O-Ring
123	1010043	(2) O-Ring
124	1016050	Valve Body
124A	1008645	Pin
125	1010216	(2) O-Ring
126	1005045	(2) Spring
127	1008110	O-Ring
128	1014324**	Start Button
129	1007548	Snap Ring
130	1014322**	Retract Button
131	1013834	Pin
132	1014321	Valve Body
133	1012358	Valve
134	1012366	O-Ring
135	1014722	Cover
136	1010593	(3) #8-32 X 3/8" Rd. Hd. Scr.
137	1015727	Clip
*	1023297	Valve Block Assy, Incl: 112,113,121,133,134, and: Feed Button Assy, Incl: 122-128.
*	1024198	Retract Button Assy, Incl: 123,125, 126,130-132.
*	1024200	Pilot Valve Assy, Incl: 114,115, 117-120,129.
*	1023397	Pinion Assy, Incl: 8-10,13,16,17.
*	1023452	Piston Assy, Incl: 36-40,40A,41,41A.
*	1023453	Ret. Nut Assy, Incl: 27-30,32-35.

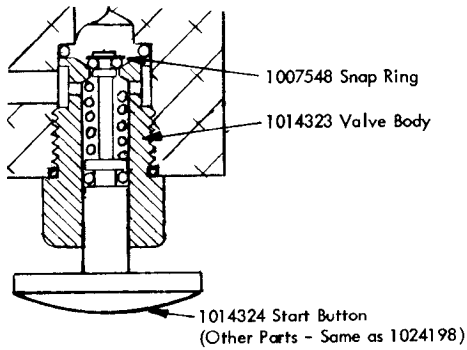
(*) PARTS NOT SHOWN
(**) See Service Notes

SERVICE NOTES

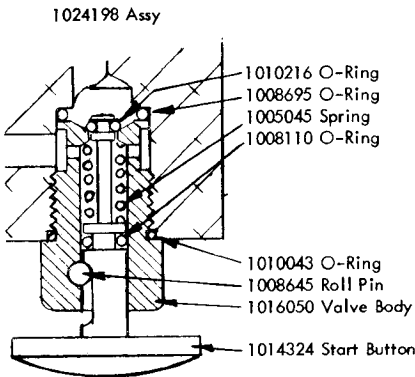
1023297 VALVE BLOCK ASSEMBLY

FEED BUTTON ASSEMBLIES

Early Models



Current Models



Disassemble Button Assembly and inspect.

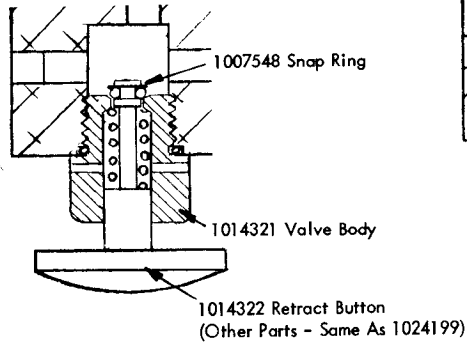
Discard Start Button not having machined flat for pin (ref. 124A) retention. Discard Valve Body not having hole for pin.

Replacement Parts:

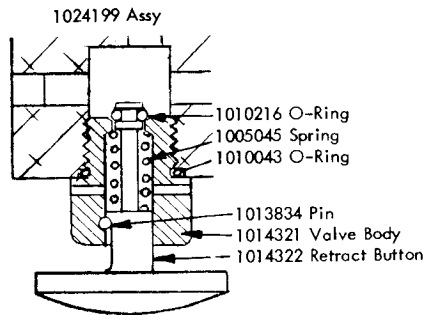
1024198 Button Assy (Complete), or,
1008645 Roll Pin
1014324 Start Button
1016050 Valve Body

RETRACT BUTTON ASSEMBLIES

Early Models



Current Models



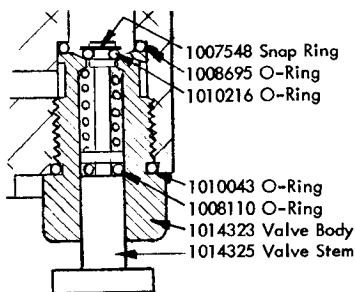
Disassemble Button Assembly and inspect.

Discard Retract Button not having machined flat for pin (ref. 131) retention. Discard Valve Body not having hole for pin.

Replacement Parts:

1024199 Button Assy (Complete), or,
1013834 Pin
1014321 Valve Body
1014322 Retract Button

PILOT VALVE ASSEMBLY



Early models included a spring as shown; remove and discard.

Install snap ring on valve stem if missing.

NYLON TUBING (Ref. Nos. 54, 106)

Use 1014957 tubing, and cut to length to fit approximately as follows:

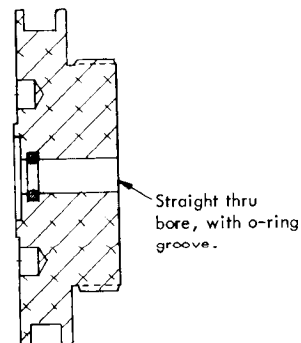
Ref. 54 : Approx. 7-7/8" long
Ref. 106: Approx. 15-13/16" long

HYDRAULIC PISTON ASSEMBLIES

1023934 Assy - For Model 15-101
1023935 Assy - For Model 20-601

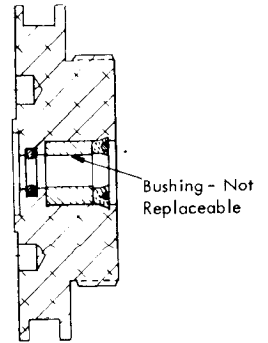
Early Models:

Includes 1015722 O-Ring Only



Current Models:

Includes 1015722 O-Ring,
1015739 Seal,
----- Bushing



Pistons must be inspected to determine type shown above. Early model must be replaced with current model.