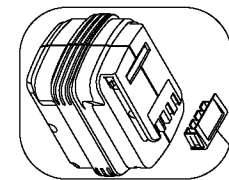
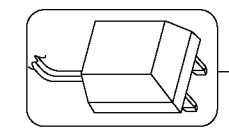


862



866

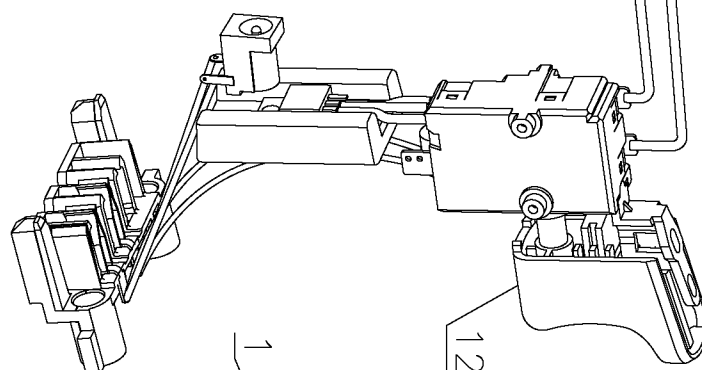


867

871



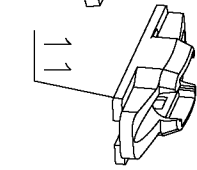
2



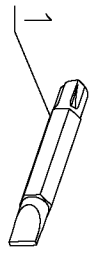
12



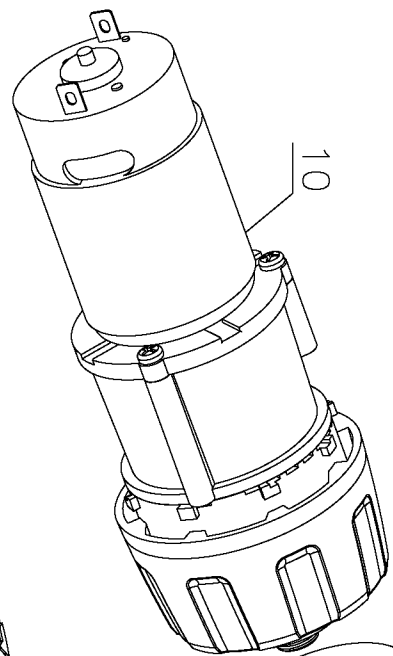
8



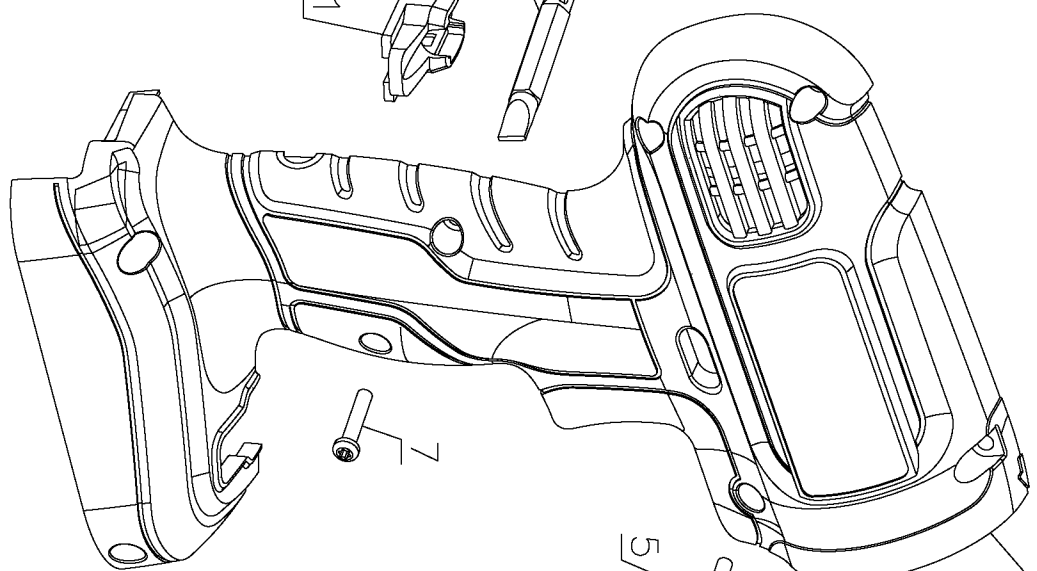
11



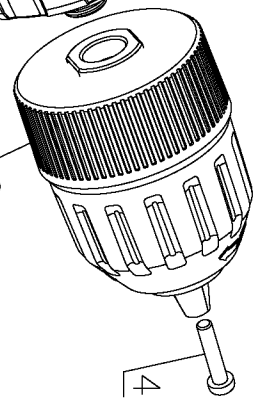
1



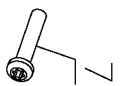
10



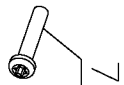
13



9



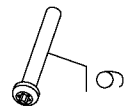
7



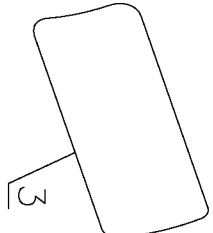
7



5



6



3

4

Parts List for GCO1200CL Type 2

Item Number	Part Number	Description	Qty Required
1	419581-01	BIT	1
2	90533185	LABEL, IDENT	1
4	149518-01	SCREW	1
5	497283-01	SCREW	2
6	498099-00	SCREW	2
7	5106167-00	SCREW	4
8	90530825	ACTUATOR FWR/REV	1
9	90569040	KEYLESS CHUCK	1
10	90560595	MOTOR & GEARBOX	1
11	90533048	BIT HOLDER	1
12	90533049	SWITCH, W/JACK	1
13	000000-00	No Longer Available	1
856	5101405-03	FLASHLIGHT	1
862	90528790	STORAGE BAG	1
866	HPB12	BATTERY PACK	1
867	5102026-00	BATTERY CAP	1
871	90592362-01	CHARGER	1

COPYRIGHT© 2005. All Rights Reserved.

Parts list, pricing, and availability subject to change. Please visit www.dewaltservicenet.com for current parts information.