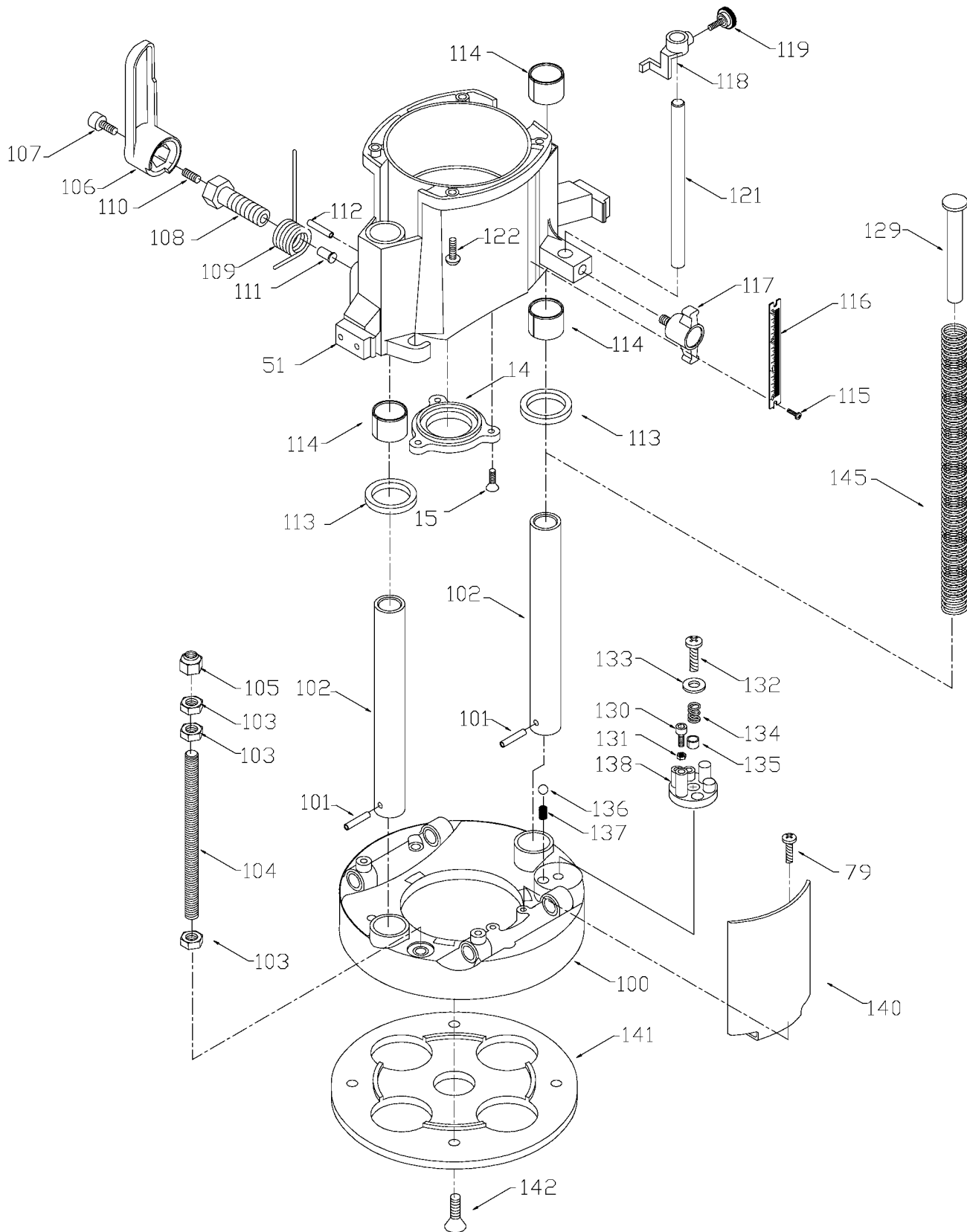


# PORTER-CABLE

## PLUNGE ROUTER

WARNING: Electrical repairs should only be attempted by trained repairmen. Contact the nearest Porter-Cable Service Center or other competent repair center.

7539



## Parts List for 7539 Type 2

Item Number	Part Number	Description	Qty Required
1	874586	ARMATURE-220	1
1	873638	ARMATURE	1
1	875931	FAN	1
2	874587	FIELD-220	1
2	873637	FIELD	1
3	698873	BRUSH	2
3	698844	BRUSH HOLDER	2
4	876774	SWITCH	1
5	879758	CORD-EURO	1
5	825713	115V CORD	1
6	698874	BRUSH INSULATOR	1
7	698872	SPRING	1
9	877288	INSULATOR	1
9	881098	SPEED CONTROL (220)	1
9	875087	SPEED CONTROL	1
10	852310	SCREW	10
11	330003-75	BEARING, BALL	1
11	146555-01	BEARING, BALL	1
12	874160	CONTROL LEVER	1
14	698811	BRG RETAINER	1
15	849819	SCREW	10
51	877480	MOTOR FRAME	1
52	A22557	HOUSING	1
52	884854	MOTOR HSG/BEARING	1
52	A15259	COVER	1
56	698856	HANDLE MOUNT	1
57	885318	HANDLE SET R.H.	1

COPYRIGHT© 2005. All Rights Reserved.

Parts list, pricing, and availability subject to change. Please visit [www.dewaltservicenet.com](http://www.dewaltservicenet.com) for current parts information.

## Parts List for 7539 Type 2

Item Number	Part Number	Description	Qty Required
57	698847	HANDLE SET-LH	1
78	879678	SCREW	10
79	850596	SCREW	10
80	872766	SPRING-STRAIN RELVR	1
81	859069	PLUG	1
82	874514	SCREW	10
83	698807	CHUCK	1
83	44012	COLLET 12MM	1
83	42950	1/2 INCH COLLET ASSY	1
83	875893	COLLET NUT	1
83	823030	SNAP-RING	1
83	876671	COLLET 1/2 INCH	1
84	874468	LEAD	1
85	691784	LEAD	1
87	885373	PLATE	1
88	892778	SCREW	10
89	872535	WASHER	10
90	872519	SCREW	10
91	882703	SCREW	10
94	899411	SCREW	10
95	872534	WASHER	10
96	874845	BUSHING KIT	1
98	689032	CONNECTOR	1
100	873650	BASE & COLUMN ASSY	1
101	873311	ROLLED PIN	1
102	698827	COLUMN	1
103	800190	NUT	10

COPYRIGHT© 2005. All Rights Reserved.

Parts list, pricing, and availability subject to change. Please visit [www.dewaltservicenet.com](http://www.dewaltservicenet.com) for current parts information.

## Parts List for 7539 Type 2

Item Number	Part Number	Description	Qty Required
104	698842	ROD-UPSTART	1
105	698835	LOCK NUT	1
106	892552	LEVER	1
107	872242	SCREW	10
108	699675	CLAMP SCREW	1
109	892531	SPRING SS/A	1
110	699563	SET SCREW	10
111	699552	CLAMP PLUG	1
112	872729	ROLLED PIN	1
113	865090	SEAL	1
114	698814	BUSHING	1
115	873499	SCREW	10
116	884824	SCALE 230V	1
116	698899	SCALE	1
117	897162	KNOB	1
118	699988	POINTER	1
119	882054	THUMB SCREW	1
121	699991	DEPTH ROD	1
122	872520	SCREW	10
129	899725	INSERT,SPRING	1
130	872659	SCREW	10
131	862641	NUT	10
132	800191	SCREW	10
133	685533	WASHER	10
134	850552	SPRING	1
135	895591	WASHER	10
136	860687	BALL	1

COPYRIGHT© 2005. All Rights Reserved.

Parts list, pricing, and availability subject to change. Please visit [www.dewaltservicenet.com](http://www.dewaltservicenet.com) for current parts information.

## Parts List for 7539 Type 2

Item Number	Part Number	Description	Qty Required
137	693848	SPRING	1
138	698805	TURRET	1
140	872762	SHIELD	1
141	695870	BASE-SUB	1
142	800539	SCREW	10
145	698829	SPRING	1
183	802648	WASHER	10
184	848148	SCREW	1
185	877286	LEAD	1
188	884829	FILTER 230V	1
189	A22709	OPEN-END WRENCH	1
189	A22709	OPEN-END WRENCH	1

COPYRIGHT© 2005. All Rights Reserved.

Parts list, pricing, and availability subject to change. Please visit [www.dewaltservicenet.com](http://www.dewaltservicenet.com) for current parts information.