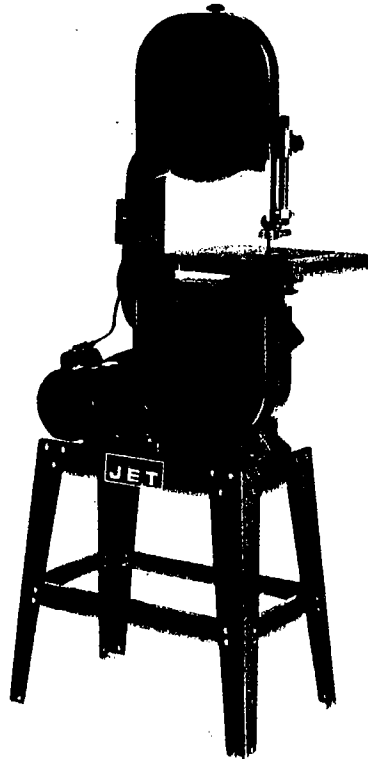


**JET**  
EQUIPMENT & TOOLS

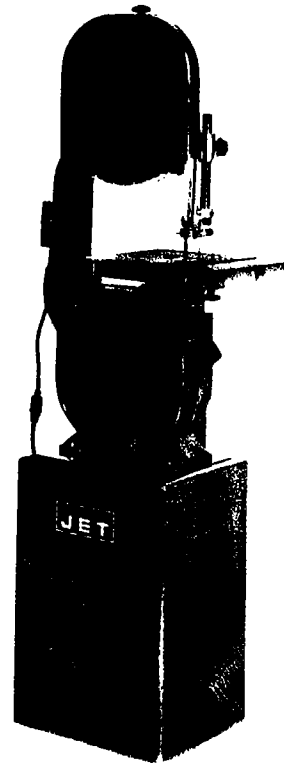
*Force/708718R*

# OPERATOR'S MANUAL

## JWBS-14CS/OS Bandsaw



**JWBS-14OS**



**JWBS-14CS**



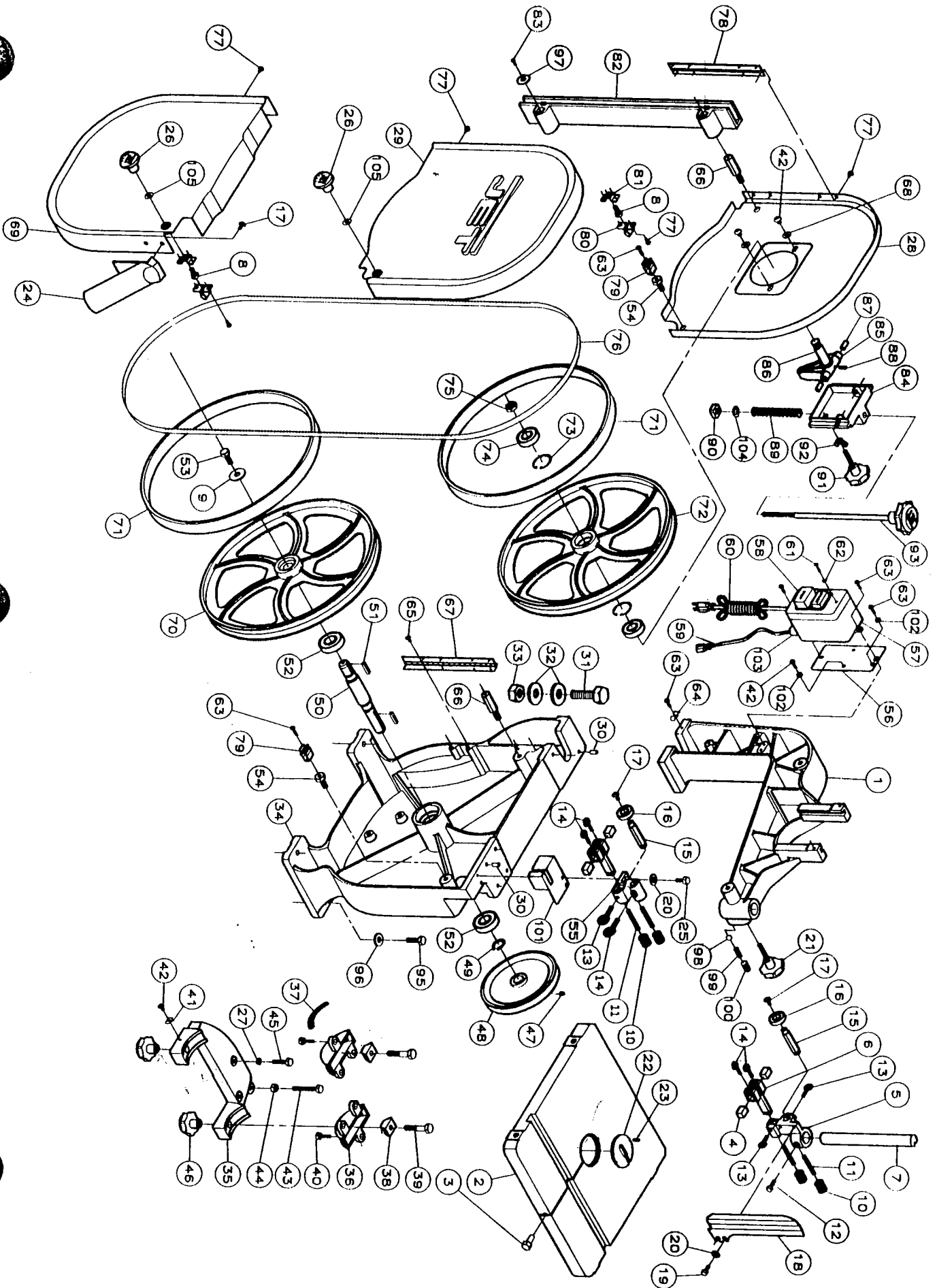
Listed  
80MJ

**JET EQUIPMENT & TOOLS, INC.**  
A WMH - Walter Meier Holding Company

P.O. BOX 1349  
AUBURN, WA 98071-1349

(253) 351-6000  
FAX (253) 939-8001

# SAW BODY



# PARTS LIST FOR THE JWBS-14CS/OS BANDSAW

PLEASE ORDER BY PART NUMBER ONLY

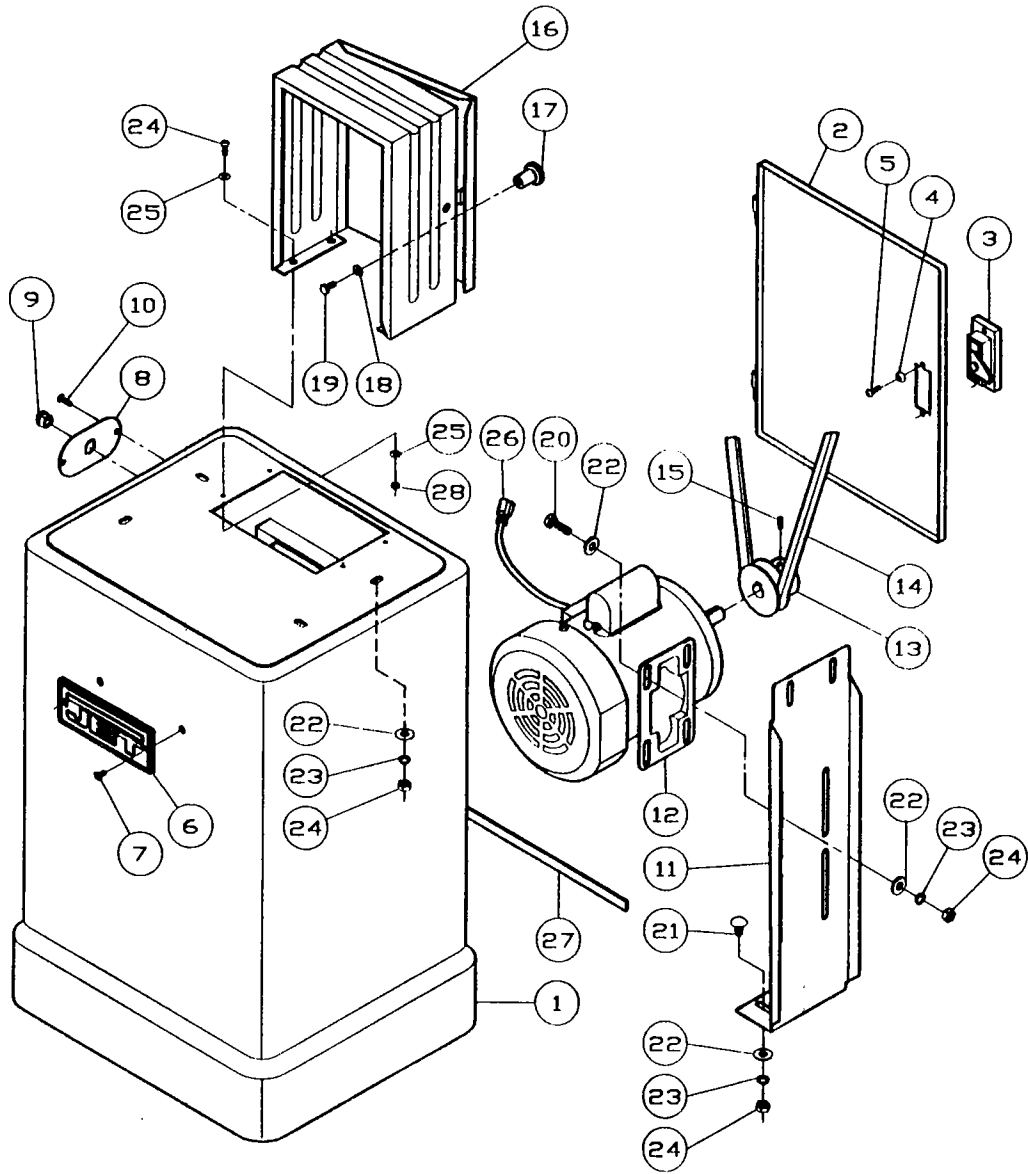
## SAW BODY

INDEX NO.	PART NO.	DESCRIPTION	SIZE	QTY.
1	150001AW	UPPER ARM FRAME		1
2	150037W	TABLE		1
3	100038	TABLE PIN		1
4	708719	GUIDE BLOCK		4
5	150005A	UPPER SUPPORT BRACKET POST		1
6	150006A	SUPPORT BRACKET		2
7	150007A	GUIDE POST		1
8	TS-1490021	HEX HEAD BOLT	M8x16	2
9	TS-1550061	FLAT WASHER	M8	1
10	150010A	NUT		4
11	990708	SCREW	M8x40	2
12	TS-1482031	HEX CAP BOLT	M6x16	1
13	150013A	THUMB SCREW	M6x16	3
14	150014A	THUMB SCREW	M6x12	5
15	150015A	UPPER SPACING SLEEVE		2
16	BB-6200ZZ	BALL BEARING		2
17	990908	PAN HEAD SCREW *	M6x8	4(2*)
18	100002A	UPPER WHEEL BLADE GUARD		1
19	TS-148201	HEX HEAD BOLT	M6x10	2
20	TS-1550041	WASHER	M6	4
21	990651	LOCK KNOB	M10x30	1
22	199037	TABLE INSERT		1
23	992311	SPRING PIN		1
24	423906	DUST CHUTE		1
25	TS-1482041	PAN HEAD SCREW	M6x20	2
26	150024	CATCH KNOB		2
27	TS-155106	LOCK WASHER *	M8	2(2*)
28	150028W	INNER WHEEL COVER		1
29	155029W	OUTER WHEEL COVER		1
30	100031	PIN		4
31	990180	HEX HEAD BOLT	M16x55	1
32	WF-164030	WASHER	M6	2
33	TS-1540101	NUT	M16	1
34	150034W	BASE		1
35	110045	TRUNNION SUPPORT BRACKET		1
36	100042	TRUNNION		2
37	100051	SCALE		1
38	100041	TRUNNION CLAMP SHOE		2
39	TS-1491081	HEX HEAD BOLT	M10x50	2
40	TS-1482021	HEX HEAD BOLT	M6x12	6
41	110049	POINTER		1
42	990821	PAN HEAD SCREW	M5x6	5
43	TS-1490151	HEX HEAD BOLT *	M8x80	1
44	TS-1540061	NUT *	M8	1
45	TS-1490051	HEX HEAD BOLT *	M8x30	2
46	990554	LOCK KNOB		2

47	TS-152303	SET SCREW			1
48	100063	BELT PULLEY	M6x10		1
49	992547	RETAINING RING			1
50	110065	LOWER WHEEL SHAFT			1
51	992009	KEY			1
52	BB-6204RS	BALL BEARING	5x5x20		2
53	990293	HEX HEAD BOLT (LEFT THREAD)	M8x25		2
54	150054	HEX HEAD BOLT			1
55	150055	LOWER SUPPORT BRACKET POST			2
56	150056	SWITCH BACKING PLATE			1
57	523028	SWITCH BOX			1
58	994542	SWITCH			1
59	995001	POWER CORD (SWITCH TO MOTOR)			1
60	995002	POWER CORD (SWITCH TO POWER SOURCE)			1
61	990814	SELF TAPPING SCREW			1
62	TS-1550021	WASHER	M3.5x19		2
63	TS-1533042	PAN HEAD SCREW	M4		2
64	523024	WIRE CLIP	M5x12		6
65	TS-1533032	PAN HEAD SCREW			1
66	150066	STUD	M5x10		4
67	150902	LOWER HINGE			2
68	WF051210	WASHER			1
69	150069W	LOWER WHEEL GUARD	M5		2
70	198672	LOWER WHEEL			1
71	100025A	WHEEL PROTECTOR			1
72	198242	UPPER WHEEL			2
73	992522	RETAINING RING			1
74	BB-6202Z	BALL BEARING	R35		2
75	TS-1540083	NUT			2
76		SAW BLADE (LOCAL PURCHASE)	M12x1.25		1
77	990804	SELF TAPPING SCREW			1
78	150901	UPPER HINGE	M4x8		16
79	150079	CATCH			1
80	150080	CLIP			2
81	150081	BRACKET			2
82	110070	BLADE GUARD			2
83	990811	SELF TAPPING SCREW			1
84	100016A	SLIDING BRACKET	M3.5x12		2
	100016ACP	SLIDING BRACKET ASSY (INC. 84,85,86,87,88)			1
85	100019	SHAFT HINGE (use 100016A)			1
86	150086	UPPER WHEEL SHAFT			1
87	100021	STEEL PIN			1
88	992314	SPRING PIN			2
89	100015A	COIL SPRING			1
90	150090	SQUARE NUT			1
91	990652	LOCK KNOB			1
92	NW080000	WING NUT			1
93	990653	BLADE ADJUSTING SCREW	M8		1
95	TS-1490071	HEX HEAD BOLT *			1
96	TS-1550061	WASHER *	M8x40		4
97	150097	WASHER	M8		4
98	994181	STEEL BALL			2
99	150099	SPRING			1
100	TS-1525011	SET SCREW			1
101	150101	LOWER WHEEL BLADE GUARD	M10x10		1
102	WE050000	GEAR WASHER			1
103	998654	STRAIN RELIEF	M5		2
104	100018	INDICATOR			2
105	WI080000	GEAR WASHER			1
			M8		2

\* ..... included in hardware kit

# JWBS-14CS STAND ASSEMBLY

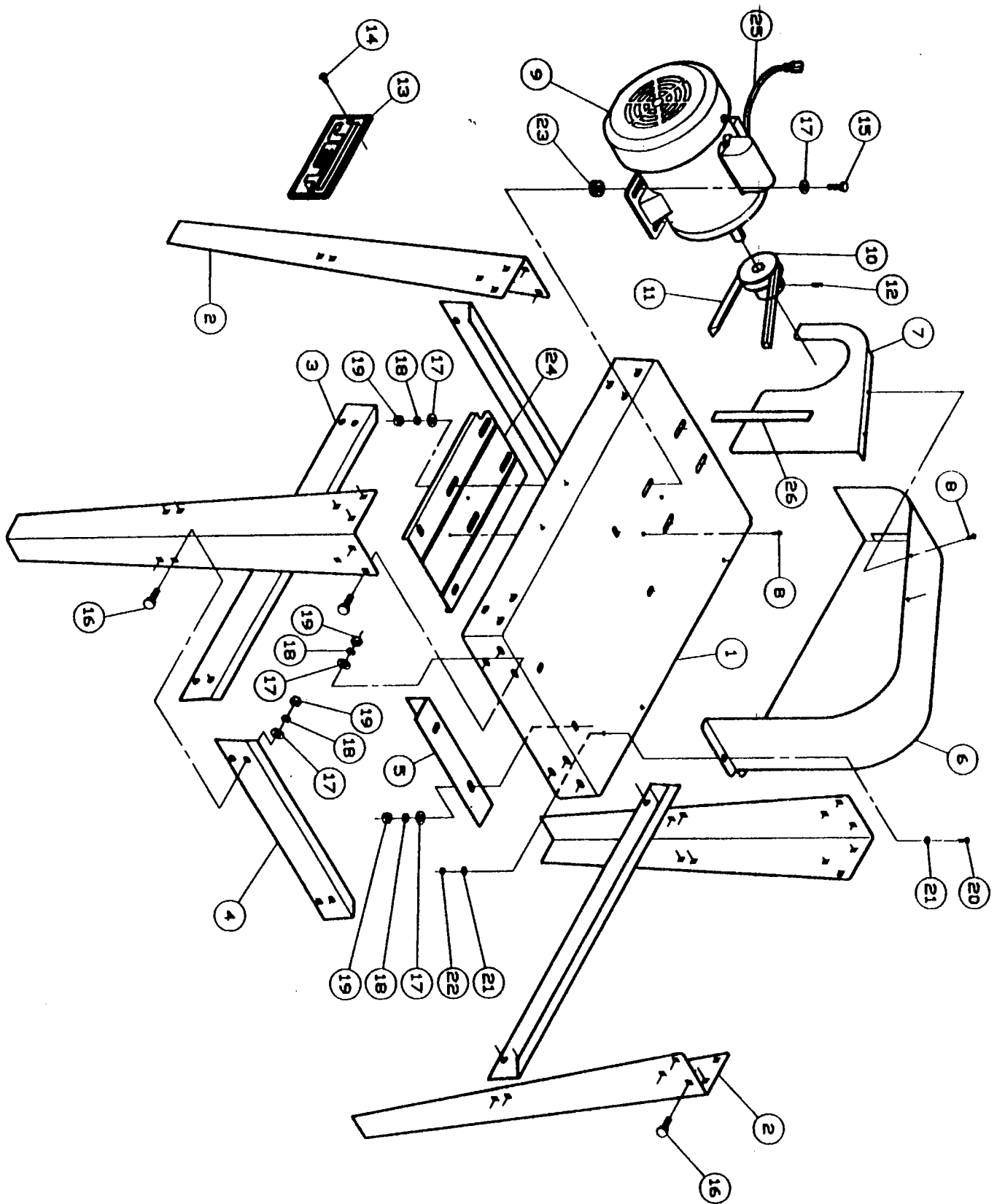


## JWBS-14CS STAND ASSEMBLY

1	150501W	STAND	1
2	150502W	DOOR	1
3	150503	DOOR LATCH ASSEMBLY	1
4	WBS14CS-04	WASHER (RE:150503)	1
5	WBS14CS-05	PAN HEAD SCREW (RE:150503)	2
6	PG-M02	PLAQUE	2
7	TS-1533031	FLAT HEAD SCREW	1
8	150508W	PLATE	2
9	998621	STRAIN RELIEF	1
10	TS-1533042	PAN HEAD SCREW *	1
11	150511W	MOTOR PLATE	6
12	150512W	MOTOR	1
13	600013	MOTOR PULLEY	1
14	VB-A50	V-BELT	1
15	TS-152301	SET SCREW	1
16	100111W	PULLEY COVER	1
17	998634	LOCK KNOB *	1
18	TS-1550041	WASHER *	1
19	TS-1482021	HEX HEAD BOLT *	1
20	TS-1490041	HEX HEAD BOLT	1
21	991516	SQUARE NECK BOLT	4
22	TS-1550051	WASHER *	4
23	TS-155108	LOCK WASHER *	16(4*)
24	TS-1540061	NUT *	12(4*)
25	TS-1550031	WASHER *	12(4*)
26	995003A	MOTOR CORD	8
27	150527	PAD	1
28	TS-1540031	NUT *	2
	WBS14CS-HK	HARDWARE KIT (NOT SHOWN)	4
			1

\* ..... included in hardware kit

# JWBS-140S STAND ASSEMBLY



## JWBS-140S STAND ASSEMBLY

1	150602W	TOP PLATE		1
2	150603W	STAND LEG		4
3	150604W	SUPPORT PLATE - LONG		2
4	150605W	SUPPORT PLATE - SHORT		2
5	150606W	SUPPORT PLATE - UPPER		1
6	150607W	PULLEY COVER		1
7	150608W	INNER PULLEY COVER		1
8	990804	SELF TAPPING SCREW	M4x8	5
9	150609W	MOTOR		1
10	600013	MOTOR PULLEY		1
11	VB-A39	V-BELT		1
12	TS-152301	SET SCREW	M6x6	1
13	PG-M02	PLAQUE		1
14	TS-1533031	FLAT HEAD SCREW	M5x10	2
15	TS-1490061	HEX HEAD BOLT *	M8x35	4
16	991516	CARRIAGE BOLT *	M8x16	40
17	TS-15550051	WASHER *	M8	52
18	TS-155108	LOCK WASHER *	M8	48
19	TS-1540061	NUT *	M8	48
20	TS-1533042	PAN HEAD SCREW *	M5X12	3
21	TS-1550031	WASHER *	M5	6
22	TS-1540031	NUT *	M5	3
23	150623	RUBBER MOUNT *		4
24	150624	SUPPORT PLATE		1
25	995004A	MOTOR CORD		1
26	150627	PAD		1
	WBS140S-HK	HARDWARE KIT (NOT SHOWN)		1

\*.....included in hardware kit