

## 33-446, 33-449, 33-450 and 33-471 RETRACTABLE LEAF GUARDS

---

Retractable Leaf Guards are supplied with all Rockwell Radial Saws and are attached to the saw blade guard. The leaf guards protect the operators hands from coming into contact with the saw blade and are self adjusting. No matter how thick the material is, the leaf guards will always rest on it.

All moving parts of the leaf guards should be oiled from time to time to allow them to move freely up and down. A drop or two of a good grade machine oil is all that is necessary.

The assembly drawings, replacement parts drawings and parts list on the following pages, clearly illustrate the correct installation of the leaf guards to the blade guards on the 14", 16" and 18" Radial Saws.

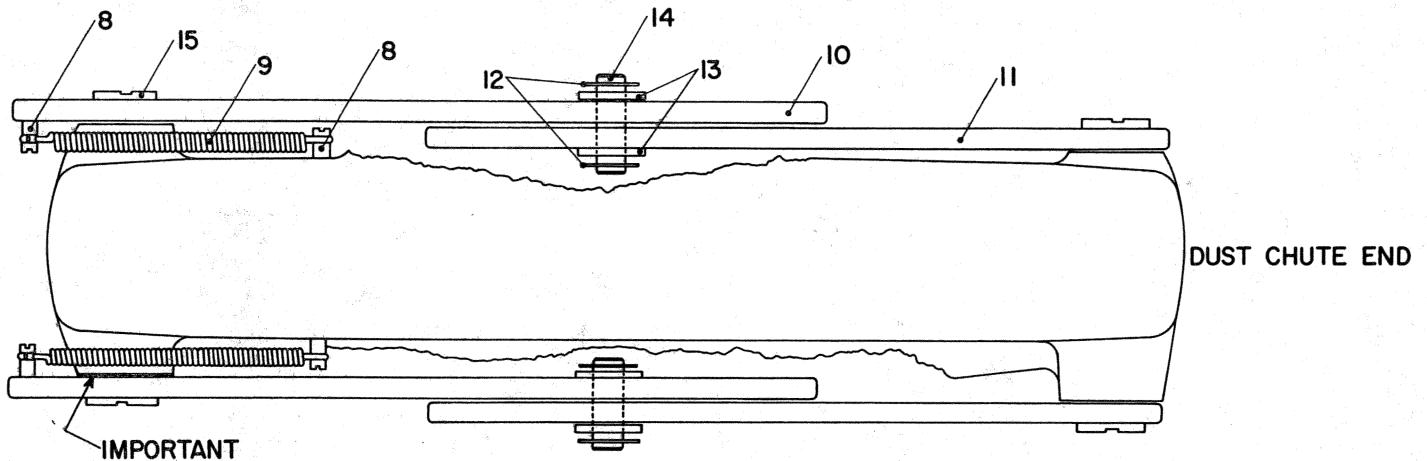
Page 2 - Cat. No. 33-449 Retractable Leaf Guard, used with the 14" Radial Saw.

Page 3 - Cat. No. 33-450 Retractable Leaf Guard, used with the 16" Radial Saw.

Page 4 - Cat. No. 33-471 Retractable Leaf Guard, used with 18" Blade Guard on the 18" Radial Saw.

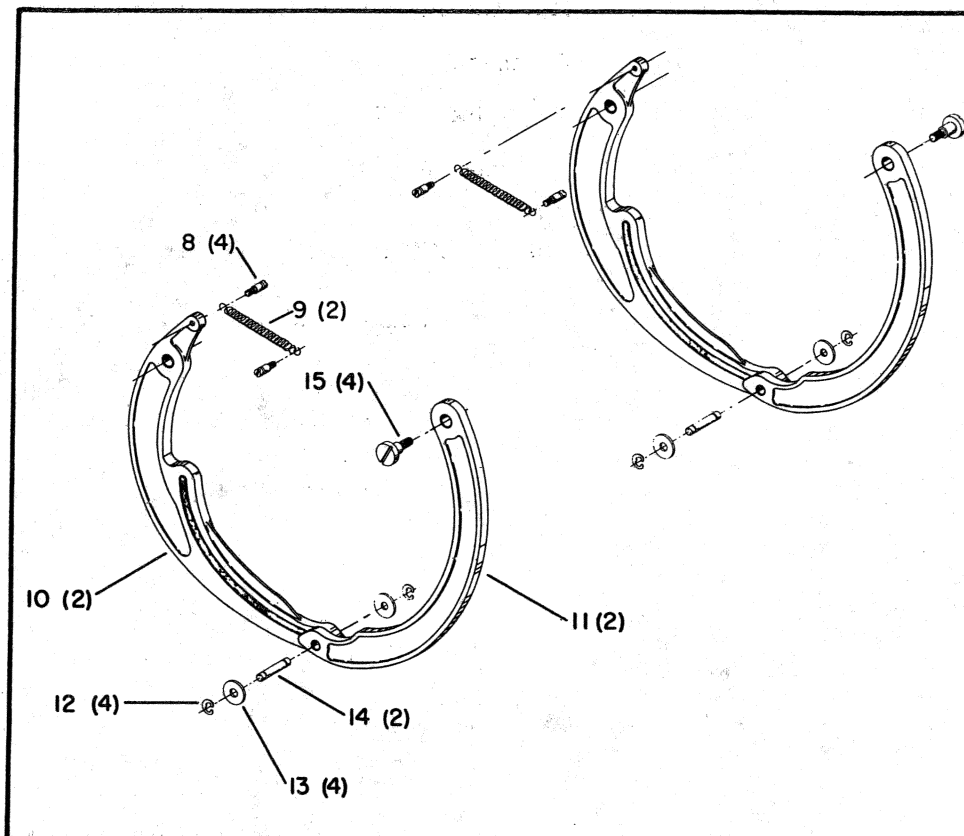
Page 5 - Cat. No. 33-446 Retractable Leaf Guard, used with 20" Blade Guard on the 18" Radial Saw.

# CAT. NO. 33-449 RETRACTABLE LEAF GUARD USED WITH THE 14" RADIAL SAW



**IMPORTANT**  
DUE TO VARIATION IN THE GUARD CASTINGS IT MAY BE NECESSARY TO ADD ONE 904-01-031-7712 WASHER BETWEEN REAR LEAF GUARD AND LEFT REAR BOSS ON GUARD CASTINGS.

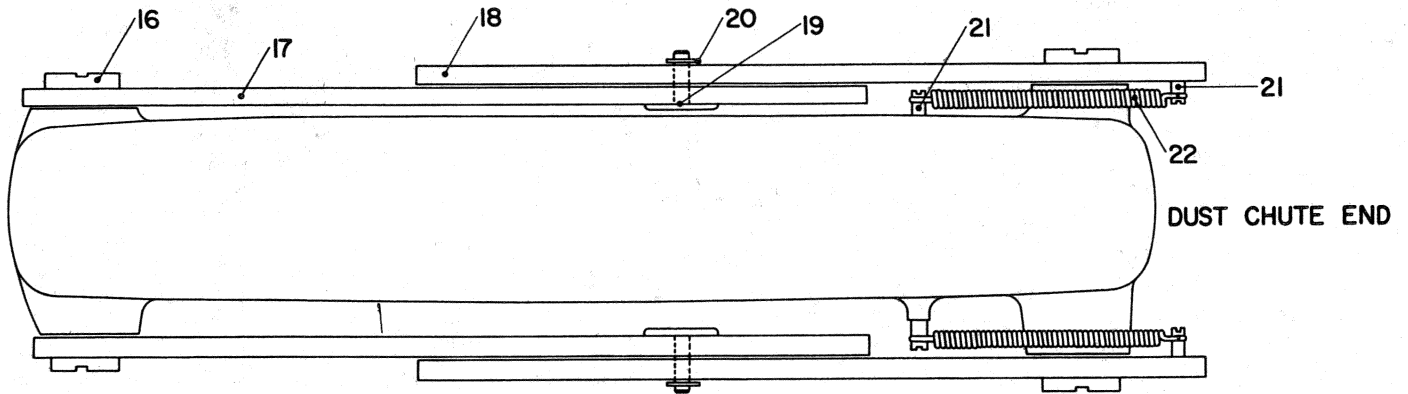
NOTE LOCATION OF SPRING STUDS AND RELATIONSHIP OF FRONT AND REAR LEAF GUARD HALVES



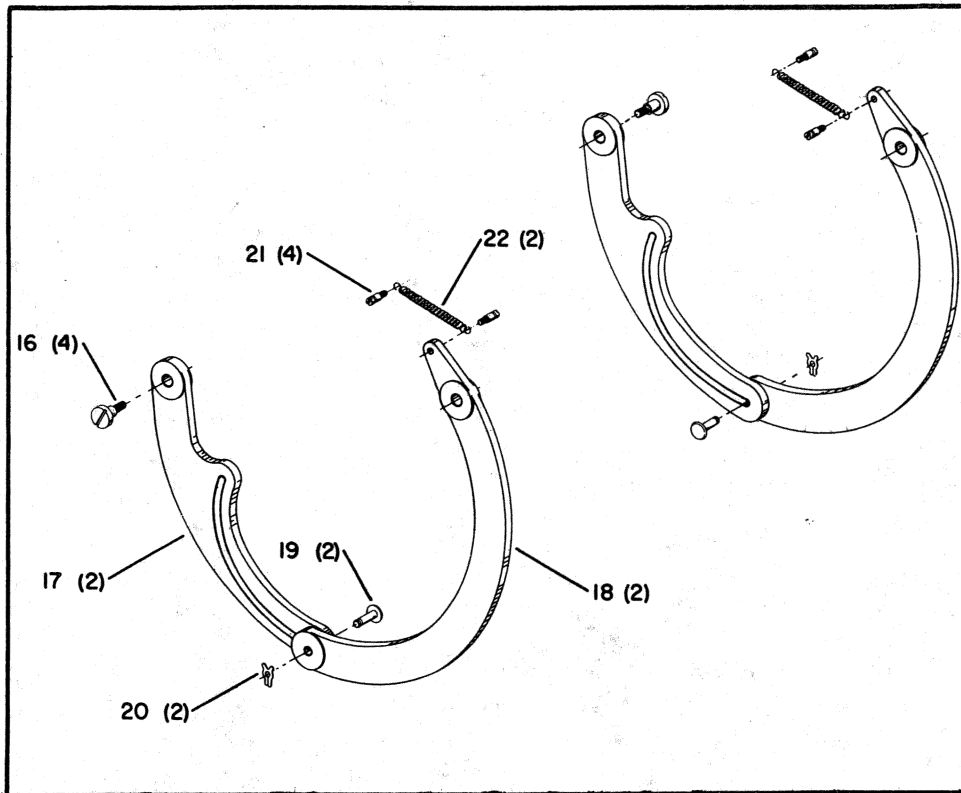
## Replacement Parts

8	MH-3807	Stud
9	MH-3806	Spring
10	MJ-4185	Rear Leaf
11	MJ-4184	Front Leaf
12	904-15-062-0269	Snap Ring
13	904-01-031-7712	Washer
14	428-04-071-0001	Pin
15	MH-3803	Stud

# CAT. NO. 33-450 RETRACTABLE LEAF GUARD USED WITH THE 16" RADIAL SAW



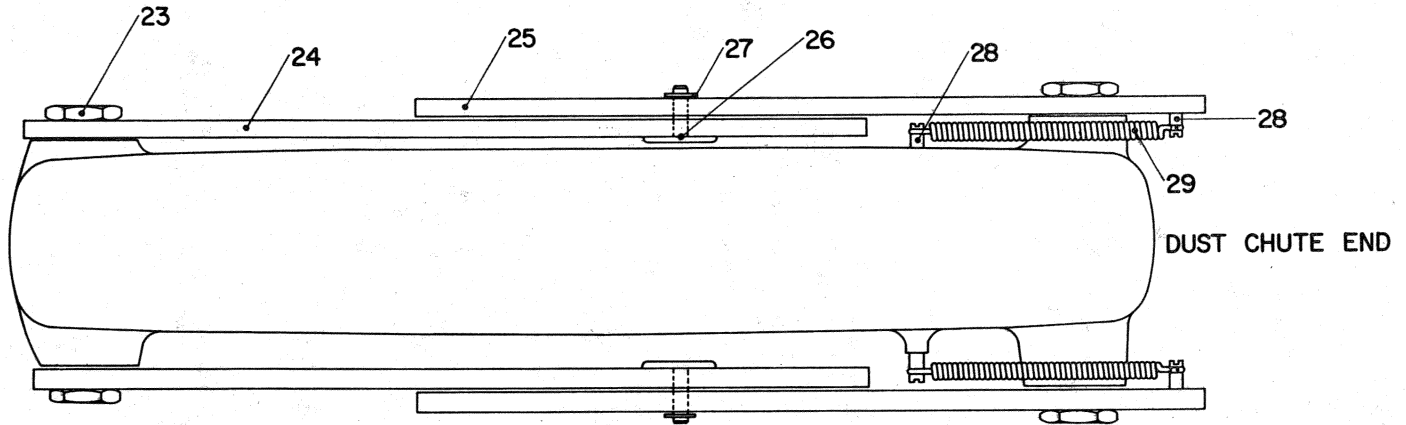
NOTE LOCATION OF SPRING STUDS AND RELATIONSHIP OF FRONT AND REAR LEAF GUARD HALVES



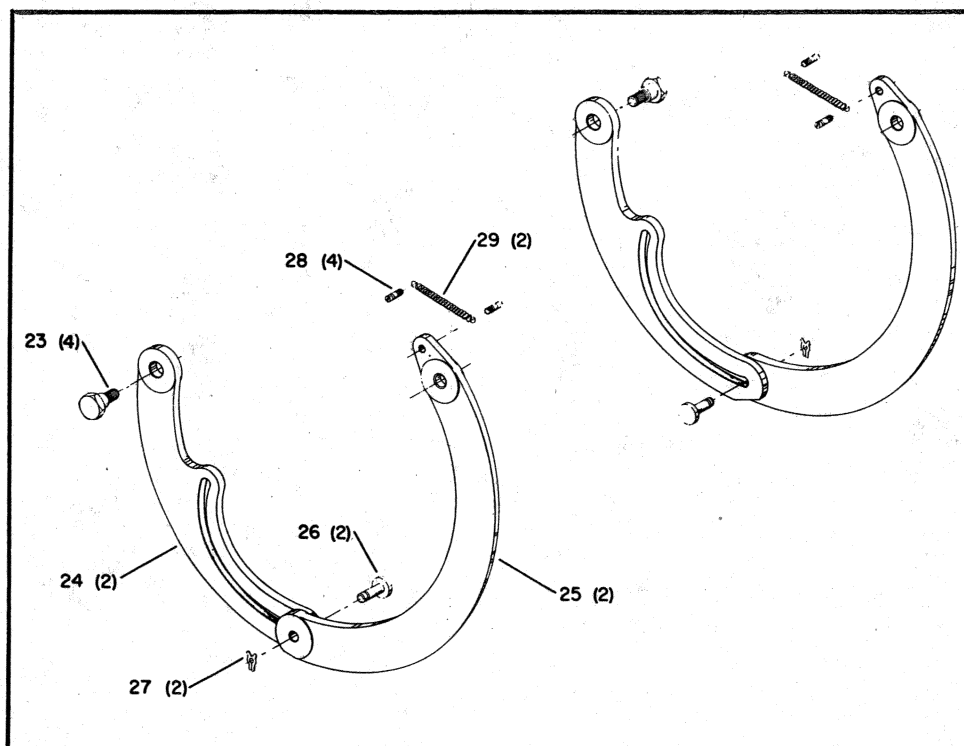
## Replacement Parts

16	MH-3803	Stud
17	MK-5932	Rear Leaf
18	MK-5931	Front Leaf
19	MG-9604	Stud
20	SP-7403	Washer
21	MH-3807	Stud
22	MH-3808	Spring

# CAT. NO. 33-471 RETRACTABLE LEAF GUARD USED WITH THE 18" BLADE GUARD ON THE 18" RADIAL SAW



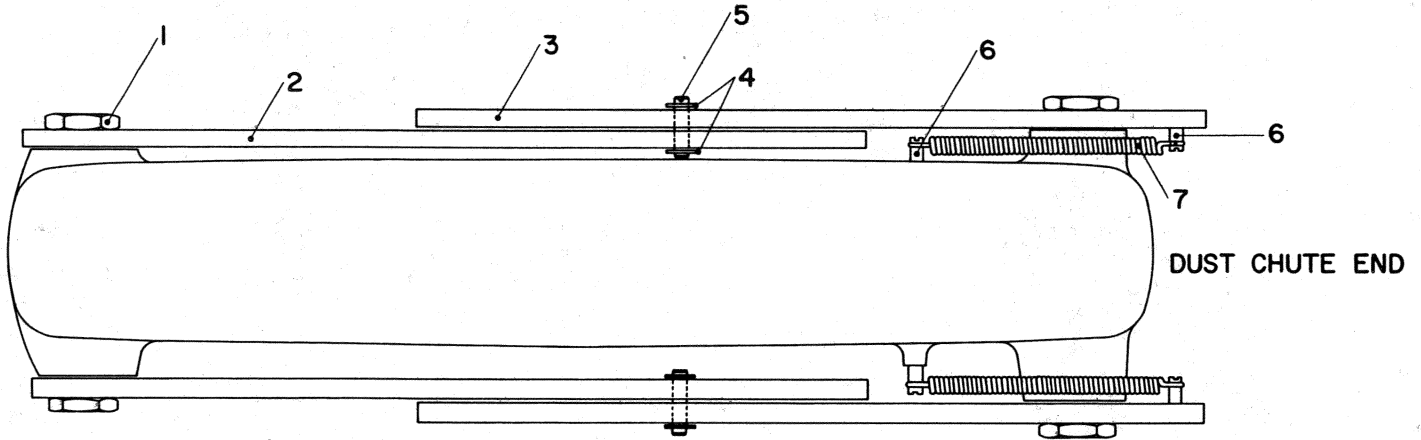
NOTE LOCATION OF SPRING STUDS AND RELATIONSHIP OF FRONT AND REAR LEAF GUARD HALVES



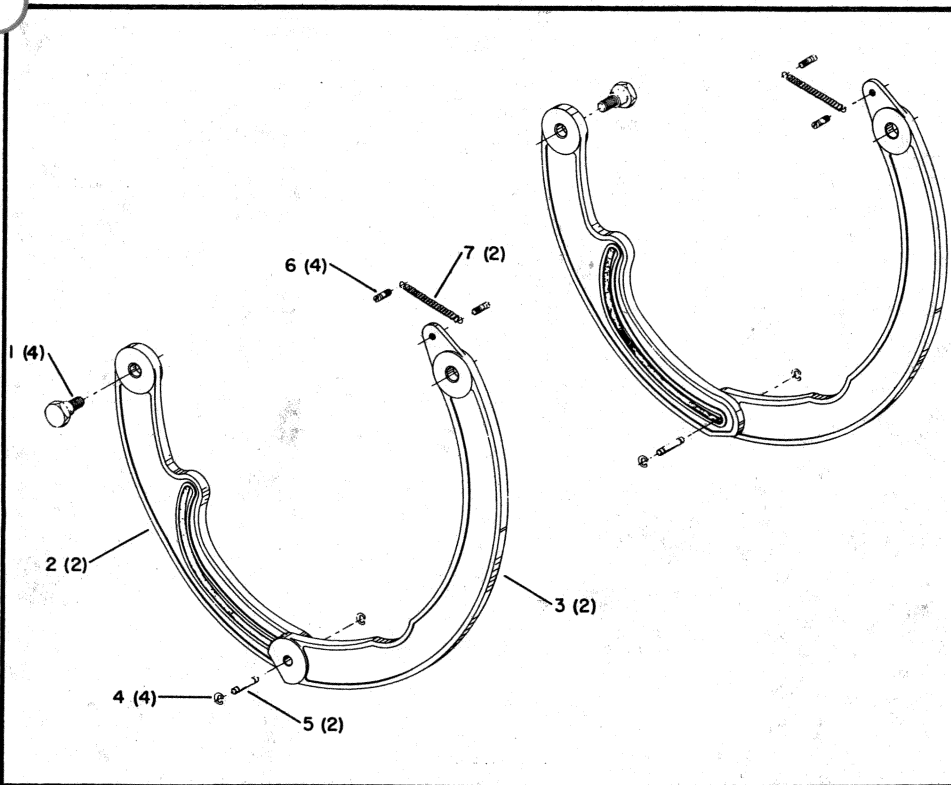
## Replacement Parts

23	MK-5805	Stud
24	1085869	Rear Leaf
25	1085870	Front Leaf
26	MK-5816	Stud
27	904-01-031-7712	Washer
28	MK-5817	Stud
29	MH-3808	Spring

# CAT. NO. 33-446 RETRACTABLE LEAF GUARD USED WITH THE 20" BLADE GUARD ON THE 18" RADIAL SAW



NOTE LOCATION OF SPRING STUDS AND RELATIONSHIP OF FRONT AND REAR LEAF GUARD HALVES



## Replacement Parts

1	MK-5805	Stud
2	MK-5811	Rear Leaf
3	MK-5812	Front Leaf
4	904-15-062-0269	Snap Ring
5	424-08-071-0001	Pin
6	MK-5817	Stud
7	MH-3806	Spring