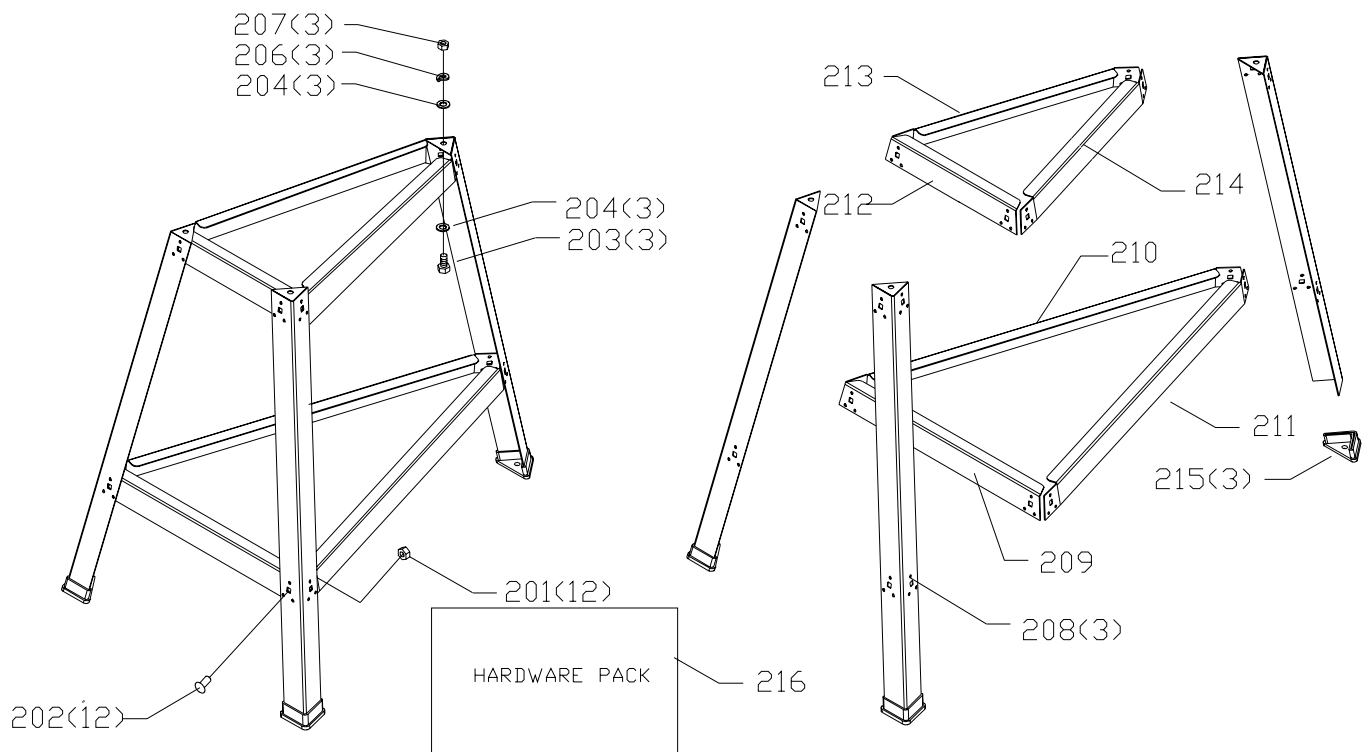


REPLACEMENT PARTS

Ref.			Ref.		
No.	Part No.	Description	No.	Part No.	Description
1	898375	AIR TUBE	70	1343635	BUSHING
2	1330682	CLAMP	71	900668	DRIVE LINK
3	1340243	SCREW	73	1343538	WASHER
4	898376	AIR NOZZLE	74	898469	SCREW
5	898380	NUT	75	898470	SCREW
6	898381	BELLOWS CUP	76	1343638	BUSHING
7	898382	SPRING	77	899173	TABLE
8	898383	DIAPHRAGM	78	1349887	SPACERS
9	898449	PLUG	79	898479	PIN
10	898402	COVER	80	900200	TABLE INSERT
11	898403	NOSE	81	900211	INSERT
12	898466	SCREW	82	898456	TRUNNION
13	898450	POINTER	83	898459	KNOB
14	898404	MAGNET	84	898460	WASHER
15	898405	COVER	85	898461	WASHER
16	898406	NOSE	86	1246135	SCREW
17	898467	SCREW	87	898457	TRUNNION GLIDE
18	1243501	SCREW	88	1246098	SCREW
19	1243525	WASHER	89	898427	SUPPORT
20	1243570	SCREW	90	898462	ANGLE SCALE
21	898407	SCREW	91	898428	RIVET
22	898408	BOX	92	898471	SCREW
25	898451	PLUG	93	898429	BRACKET
26	898452	KNOB	94	898472	SCREW
27	898453	ROD	95	898463	WASHER
28	898454	BRACKET	96	898464	WASHER
29	1243339	SCREW	97	898465	COLLAR
30	898480	FOOT	98	1341856	SCREW
31	1310062	WASHER	99	898430	BASE
32	1243520	WASHER	100	1246017	SCREW
33	1347291	SCREW	101	1246157	WASHER
34	898411	UPPER ARM	102	898431	MOTOR SUPPORT
35	898455	LINK	103	898432	SCREW
36	1343623	SCREW	104	1310216	WASHER
37	898468	SCREW	105	1246124	SCREW
38	1340311	WASHER	106	1243456	NUT
39	1342242	COVER	107	898473	SCREW
40	1342241	SUPPORT	108	898433	COVER
41	902-01-120-5432	NUT	109	1246117	SCREW
42	1342245	LINK	110	898434	KNOB A
43	1330670	RETAINING RING	111	898435	SPRING
44	1342246	SHAFT	112	898474	WASHER
45	1340302	WASHER	113	898436	SLIDE BAR
46	1340303	SPRING	114	898437	DUST BOX
47	900382	TENSION LEVER	115	898438	COVER
48	1342253	PIN	116	898439	SLIDE BAR
49	1344032	RETAINING RING	117	1347527	SCREW
50	1342308	SPRING	118	898997	MOTOR
51	1342256	SPACER	119	899174	CIRCUIT BOARD
*	40-251	QUICK SET BLADE CHUCK	120	898475	STRAIN RELIEF
52	1347103	SCREW	121	898440	SWITCH BOX
53	1346120	BLADE CLAMP	122	898476	SCREW
54	1346124	CAM	123	898441	KNOB
55	1346121	PAD	124	1343759	SWITCH
56	1346122	SPRING	125	400-06-068-0002	SWITCH KEY
57	1347101	SPRING	126	898481	CORD
58	1346123	BUSHING	127	1341198	WIRE NUT
59	1346119	NUT	128	898477	WASHER
60	898412	LOWER ARM	129	901-02-010-0525	SCREW
61	1343659	NUT	131	905708	DEC PLATE
62	898413	BOLT	132	898823	WARNING LABEL
63	898414	WASHER	133	898999	CAPACITOR
64	898415	WASHER	134	899175	VS SWITCH
65	1344954	WASHER	135	900385	LABEL
66	898416	COUNTER BALANCE	136	899658	LABEL
67	898424	SCREW	137	899699	FUSE HOLDER ASSY, INCL.,
68	1330410	PIN	138	899697	FUSE
69	1344047	PIN			



Ref.

No.	Part No.	Description
201	n 1348301	NUT-FLANGE
202	n 912634	M8X16MM CARRIAGE HD SCR
203	n 901-01-060-0609	SCREW-HEX HD
204	n 904-01-010-1604	WASHER-FLAT
206	n 904-02-010-1703	WASHER-LOCK
207	n 902-01-010-1300	5/16-18 NUT
208	n 912427	LEG
209	n 912432	TIE BAR (LOWER FRONT)
210	n 912434	TIE BAR (LOWER LEFT)
211	n 912423	TIE BAR (LOWER RIGHT)
212	n 912429	TIE BAR (UPPER FRONT)
213	n 912431	TIE BAR (UPPER LEFT)
214	n 912430	TIE BAR (UPPER RIGHT)
215	n 912633	FEET
216	n 912424	HARDWARE PKG (STAND)

STANDARD SAFETY EQUIPMENT

In order to promote tool safety, Delta Machinery strictly enforces the policy of repairing or replacing any damaged or missing standard safety equipment on machines presented to Delta Authorized Service Centers for service/repairs. Any product which is presented to a Delta Authorized Service Centers for repairs which contains missing or damaged standard safety equipment will have that equipment repaired or replaced and the customer will be charged for any such service/repairs. Customers can avoid such

This parts list is provided to aid in obtaining service parts. Copies of the instruction and maintenance literature can be obtained through the Delta Technical Publications Department or through your service outlet.