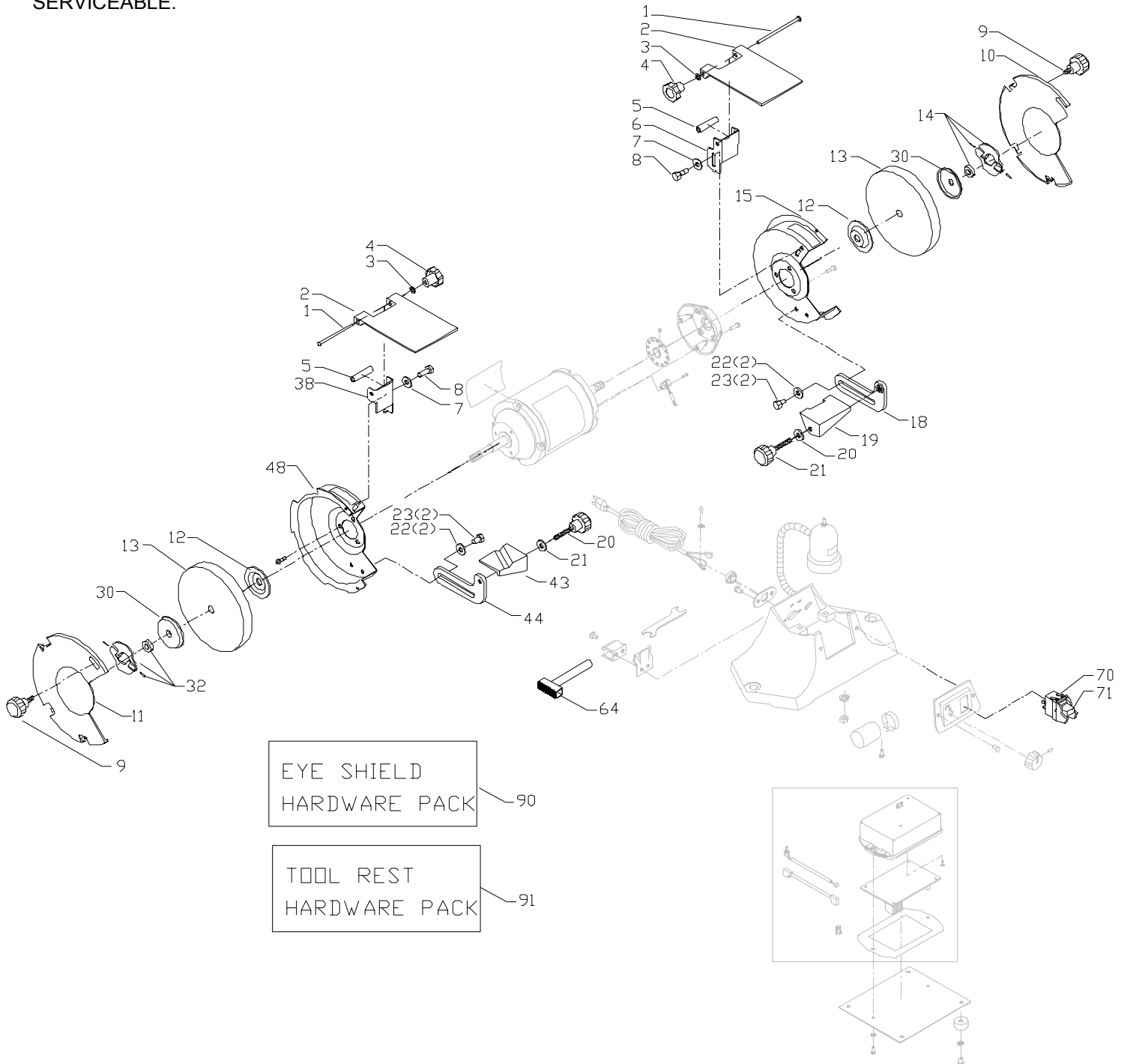
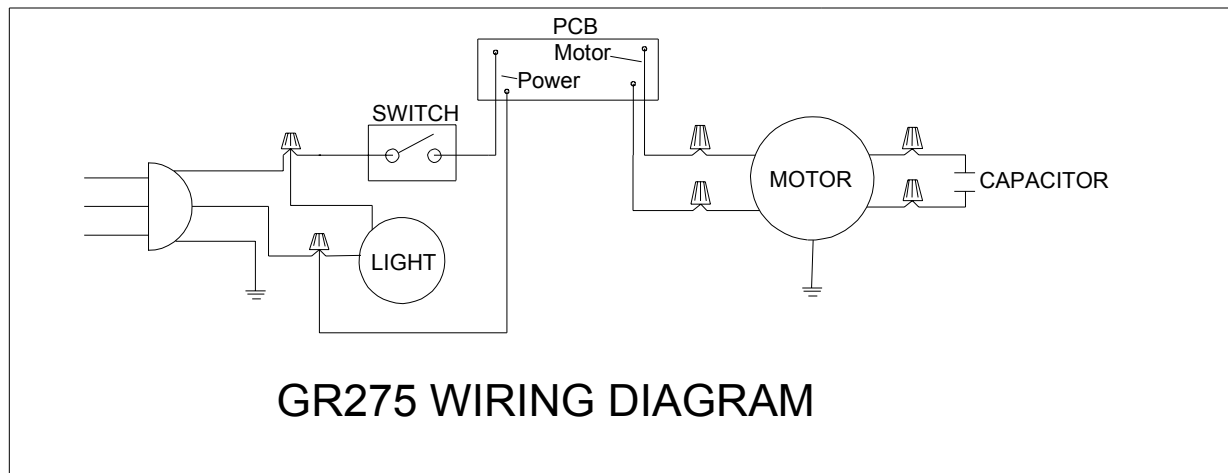


NOTE: PARTS LIGHTLY SHADED ARE NOT SERVICEABLE.



REPLACEMENT PARTS

Ref. No.	Part No.	Description	Ref. No.	Part No.	Description
1	902581	M6 X 80MM CARRIAGE HD SCR	20	904-01-010-1604	FLAT WASHER
2	901911	EYESHIELD	21	902633	5/16-18" KNOB
3	900227	FLAT WASHER	22	904-01-010-1605	FLAT WASHER
4	902582	KNOB	23	901-01-060-0605	HEX HD SCREW
5	902583	SPACER	30	A05499	FLANGE
6	902584	RIGHT SPARK BREAKER	32	A05489	LH QUICK RELEASE NUT
7	1320090	FLAT WASHER	38	902586	LEFT SPARK BREAKER
8	1340609	HEX HD SCREW	43	902640	LEFT TOOL REST
9	908948	KNOB	44	902641	L. H. TOOL REST SUPPORT
10	A05485	RIGHT COVER	48	A05492	L. H. WHEEL GUARD
11	A05486	LEFT COVER	64	23-006	WHEEL DRESSER
12	1320201	FLANGE	70	1343759	SWITCH
13	23-684	60G GRINDING WHEEL	71	1343758	KEY
	902642	60G WHITE GRINDING WHEEL	90	901919	EYE SHIELD HDWE PACK
	n 23-005	6" BUFFING WHEEL	91	901921	TOOL REST HDWE PACK
14	A05487	RH QUICK RELEASE NUT			
15	A05488	R. H. WHEEL GUARD			
18	902631	R. H. TOOL REST SUPPORT			
19	902632	RIGHT TOOL REST			



STANDARD SAFETY EQUIPMENT

In order to promote tool safety, Delta Machinery strictly enforces the policy of repairing or replacing any damaged or missing standard safety equipment on machines presented to Delta Authorized Service Centers for service/repairs. Any product that is presented to a Delta Authorized Service Center for repair with damaged or missing standard safety equipment will have that equipment repaired or replaced and the customer will be charged for any such service/repairs. Customers can avoid such charges only if the missing safety component is supplied to the service center at the time of repair.

This parts list is provided to aid in obtaining service parts. Copies of the instruction and maintenance literature can be obtained through the Delta Technical Publications Department, your service outlet, or by visiting the Delta Website @ www.deltamachinery.com.