

# Oil-Free Air Compressor (66-501-1)

INSTRUCTION MANUAL



PART NO. D29682 Rev. 1 3/04  
Copyright © 2004 Delta Machinery

 **DELTA**

To learn more about DELTA MACHINERY  
visit our website at: [www.deltamachinery.com](http://www.deltamachinery.com).

**ESPAÑOL: PÁGINA 25**  
**FRANÇAIS: PAGE 49**

**For Parts, Service, Warranty or other Assistance,  
please call 1-866-422-4286.**

## SAFETY GUIDELINES - DEFINITIONS

This manual contains information that is important for you to know and understand. This information relates to protecting **YOUR SAFETY** and **PREVENTING EQUIPMENT PROBLEMS**. To help you recognize this information, we use the symbols below. Please read the manual and pay attention to these symbols.

<p><b>⚠ DANGER</b> Indicates an imminently hazardous situation which, if not avoided, <b>will</b> result in <b>death or serious injury</b>.</p>	<p><b>⚠ CAUTION</b> Indicates a potentially hazardous situation which, if not avoided, <b>may</b> result in <b>minor or moderate injury</b>.</p>
<p><b>⚠ WARNING</b> Indicates a potentially hazardous situation which, if not avoided, <b>could</b> result in <b>death or serious injury</b>.</p>	<p><b>CAUTION</b> Used without the safety alert symbol indicates a potentially hazardous situation which, if not avoided, <b>may</b> result in <b>property damage</b>.</p>

## IMPORTANT SAFETY INSTRUCTIONS

**⚠ WARNING** Some dust created by power sanding, sawing, grinding, drilling, and other construction activities contains chemicals known (to the State of California) to cause cancer, birth defects or other reproductive harm. Some example of these chemicals are:

- lead from lead-based paints
- crystalline silica from bricks and cement and other masonry products
- arsenic and chromium from chemically-treated lumber

Your risk from these exposures varies, depending on how often you do this type of work. To reduce your exposure to these chemicals: work in a well ventilated area, and work with approved safety equipment, always wear **MSHA/NIOSH** approved, properly fitting face mask or respirator when using such tools.

When using air tools, basic safety precautions should always be followed to reduce the risk of of personal injury.

# IMPORTANT SAFETY INSTRUCTIONS



**Save these instructions**



Improper operation or maintenance of this product could result in serious injury and property damage. Read and understand all warnings and operation instructions before using this equipment.

## HAZARD

**WARNING: Risk of explosion or fire**



What Could Happen	How To Prevent It
<p><b>It is normal for electrical contacts</b> within the motor and pressure switch to <b>spark</b>.</p>	<p>Always <b>operate the compressor in a well ventilated area free of combustible materials, gasoline, or solvent vapors</b>.</p>
<p>If electrical <b>sparks</b> from compressor <b>come into contact with flammable vapors, they may ignite, causing fire or explosion</b>.</p>	<p>If spraying flammable materials, <b>locate compressor at least 20 feet away from spray area</b>. An additional length of hose may be required. <b>Store flammable materials in a secure location away from compressor</b>.</p>
<p><b>Restricting any of the compressor ventilation openings</b> will cause serious overheating and <b>could cause fire</b>.</p>	<p><b>Never place objects against or on top of compressor. Operate compressor</b> in an open area <b>at least 12 inches away from any wall or obstruction</b> that would restrict the flow of fresh air to the ventilation openings. Operate compressor in a clean, dry well ventilated area. <b>Do not operate unit indoors or in any confined area</b>.</p>
<p><b>Unattended operation</b> of this product <b>could result in personal injury or property damage. To reduce the risk of fire, do not allow the compressor to operate unattended</b>.</p>	<p><b>Always remain in attendance</b> with the product when it is operating. <b>Always disconnect electrical power by moving pressure switch lever to the off position and drain tank daily or after each use</b>.</p>

## HAZARD

### WARNING: Risk of Bursting



***Air Tank:*** The following conditions could lead to a weakening of the tank, and result in a violent tank explosion and could cause property damage or serious injury.

What Could Happen	How To Prevent It
<p><b>Failure to properly drain condensed water from tank, causing rust and thinning of the steel tank.</b></p>	<p><b>Drain tank daily or after each use.</b> If tank develops a leak, replace it immediately with a new tank or replace the entire compressor.</p>
<p><b>Modifications or attempted repairs to the tank.</b> <b>Unauthorized modifications to the unloader valve, safety valve, or any other components which control tank pressure.</b></p>	<p><b>Never drill into, weld, or make any modifications to the tank or its attachments.</b></p>
<p><b>Excessive vibration can weaken the air tank and cause rupture or explosion</b></p>	<p>The tank is designed to withstand specific operating pressures. <b>Never make adjustments or parts substitutions to alter the factory set operating pressures.</b></p>
<p><b><u>ATTACHMENTS &amp; ACCESSORIES:</u></b> <b>Exceeding the pressure rating of air tools, spray guns, air operated accessories, tires, and other inflatables can cause them to explode or fly apart, and could result in serious injury.</b></p>	<p>For essential control of air pressure, <b>you must install a pressure regulator and pressure gauge to the air outlet (if not equipped)</b> of your compressor. Follow the equipment manufacturers recommendation and never exceed the maximum allowable pressure rating of attachments. <b>Never use compressor to inflate small low pressure objects such as children's toys, footballs, basketballs, etc.</b></p>

## HAZARD

### WARNING: Risk from Flying Objects



What Could Happen	How To Prevent It
<p>The <b>compressed air stream can cause soft tissue damage</b> to exposed skin and <b>can propel dirt, chips, loose particles, and small objects at high speed</b>, resulting in property damage or personal injury.</p>	<p>Always <b>wear ANSI Z87.1 approved safety glasses with side shields</b> when using the compressor.</p> <p><b>Never point any nozzle or sprayer toward any part of the body or at other people or animals.</b></p> <p>Always <b>turn the compressor off and bleed pressure</b> from the air hose and tank before attempting maintenance, attaching tools or accessories.</p>

## HAZARD

### WARNING: Risk of Electrical Shock



What Could Happen	How To Prevent It
Your <b>air compressor is powered by electricity</b> . Like any other electrically powered device, <b>if it is not used properly it may cause electric shock</b> .	<b>Never operate</b> the compressor <b>outdoors when it is raining or in wet conditions</b> . <b>Never operate compressor with protective covers removed or damaged</b> .
<b>Repairs attempted by unqualified personnel can result in serious injury or death by electrocution</b> .	Any <b>electrical wiring or repairs</b> required on this product <b>should be performed by authorized service center personnel</b> in accordance with national and local electrical codes.
Electrical Grounding: <b>Failure to provide adequate grounding to this product could result in serious injury or death from electrocution</b> . See grounding instructions.	<b>Make certain that the electrical circuit to which the compressor is connected provides proper electrical grounding, correct voltage and adequate fuse protection</b> .

## HAZARD

### WARNING: Risk to Breathing



What Could Happen	How To Prevent It
The <b>compressed air</b> directly from your compressor <b>is not safe for breathing</b> . The <b>air stream may contain carbon monoxide, toxic vapors, or solid particles</b> from the tank. <b>Breathing these contaminants can cause serious injury or death</b> .	<b>Air obtained directly from the compressor should never be used to supply air for human consumption</b> . In order to use air produced by this compressor for breathing, suitable <b>filters and in-line safety equipment must be properly installed</b> . In-line <b>filters and safety equipment</b> used in conjunction with the compressor <b>must be capable of treating air to all applicable local and federal codes prior to human consumption</b> .
<b>Sprayed materials</b> such as paint, paint solvents, paint remover, insecticides, weed killers, may <b>contain harmful vapors and poisons</b> .	<b>Work in an area with good cross ventilation</b> . Read and <b>follow the safety instructions</b> provided on the label or safety data sheets <b>for the materials you are spraying</b> . Use a <b>NIOSH/ MSHA approved respirator</b> designed for use with your specific application.

## HAZARD

### WARNING: Risk of Burns



What Could Happen	How To Prevent It
<p>Touching exposed metal such as the compressor head or outlet tubes, can result in serious burns.</p>	<p>Never touch any exposed metal parts on compressor during or immediately after operation. Compressor will remain hot for several minutes after operation. Do not reach around protective shrouds or attempt maintenance until unit has been allowed to cool.</p>

## HAZARD

### WARNING: Risk from Moving Parts



What Could Happen	How To Prevent It
<p>Moving parts such as the pulley, flywheel, and belt can cause serious injury if they come into contact with you or your clothing.</p>	<p>Never operate the compressor with guards or covers which are damaged or removed.</p>
<p>Attempting to operate compressor with damaged or missing parts or attempting to repair compressor with protective shrouds removed can expose you to moving parts and can result in serious injury.</p>	<p>Any repairs required on this product should be performed by authorized service center personnel.</p>

## HAZARD

### WARNING: Risk of Falling



What Could Happen	How To Prevent It
<p>A portable compressor can fall from a table, workbench, or roof causing damage to the compressor and could result in serious injury or death to the operator.</p>	<p>Always operate compressor in a stable secure position to prevent accidental movement of the unit. Never operate compressor on a roof or other elevated position. Use additional air hose to reach high locations.</p>

## HAZARD

### WARNING: Risk of Serious Injury or Property Damage When Transporting Compressor



*(Fire, Inhalation, Damage to Vehicle Surfaces)*

What Could Happen	How To Prevent It
<p><b>Oil can leak or spill</b> and could result in fire or breathing hazard; serious injury or death can result. oil leaks will damage carpet, paint or other surfaces in vehicles or trailers.</p>	<p>Always <b>place COMPRESSOR on a protective mat when transporting</b> to protect against damage to vehicle from leaks. Remove COMPRESSOR from vehicle immediately upon arrival at your destination.</p>

## HAZARD

### WARNING: Risk of Unsafe Operation



What Could Happen	How To Prevent It
<p><b>Unsafe operation</b> of your air compressor could lead to <b>serious injury or death to you or others.</b></p>	<p><b>Review and understand</b> all instructions and <b>warnings</b> in this manual. <b>Become familiar with the operation and controls</b> of the air compressor. <b>Keep operating area clear</b> of all persons, pets, and obstacles. <b>Keep children away</b> from the air compressor <b>at all times.</b> <b>Do not operate</b> the product <b>when fatigued or under the influence of alcohol or drugs. Stay alert at all times.</b> <b>Never defeat the safety features</b> of this product. <b>Equip area of operation with a fire extinguisher.</b> <b>Do not operate machine with missing, broken, or unauthorized parts.</b></p>

## SAVE THESE INSTRUCTIONS

## GLOSSARY

Become familiar with these terms before operating the unit.

**CFM:** Cubic feet per minute.

**SCFM:** Standard cubic feet per minute; a unit of measure of air delivery.

**PSIG:** Pounds per square inch gauge; a unit of measure of pressure.

**Code Certification:** Products that bear one or more of the following marks: UL, CUL, ETL, CETL, have been evaluated by OSHA certified independent safety laboratories and meet the applicable Underwriters Laboratories Standards for Safety.

**Cut-In Pressure:** While the motor is off, air tank pressure drops as you continue to use your accessory. When the tank pressure drops to a certain low level the motor will restart automatically. The low pressure at which the motor automatically restarts is called "cut-in" pressure.

**Cut-Out Pressure:** When an air compressor is turned on and begins to run, air pressure in the air tank begins to build. It builds to a certain high pressure before the motor automatically shuts off - protecting your air tank from pressure higher than its capacity. The high pressure at which the motor shuts off is called "cut-out" pressure.

**Branch Circuit:** Circuit carrying electricity from electrical panel to outlet.

## DUTY CYCLE

Air compressors should be operated on not more than a 50% duty cycle. This means an air compressor that pumps air more than 50% of one hour is considered misuse, because the air compressor is undersized for the required air demand. Maximum compressor pumping time per hour is 30 minutes.

## SPECIFICATIONS

<b>Model No.</b>	<b>66-501-1</b>
Horsepower Peak	2
Bore	1.875"
Stroke	1.250"
Voltage/Hertz/ Phase	120V/60Hz/1Ph
Minimum Branch Circuit Requirement	15 amps
*Fuse Type	Time Delay
Air Tank Capacity	8 gallons
Approximate Cut-in Pressure	100
Approximate Cut-out Pressure	125
SCFM @ 40 PSIG	3.7
SCFM @ 90 PSIG	2.6

A circuit breaker is preferred. Use only a fuse or circuit breaker that is the same rating as the branch circuit the air compressor is operated on. If compressor is connected to a circuit protected by fuses, use only time delay fuses. Time delay fuses should be marked "D" in Canada and "T" in the US.

## ACCESSORIES

Accessories for this unit are available at the store the unit was purchased.

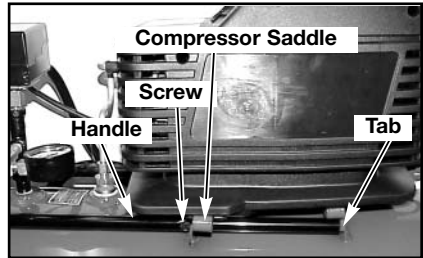


## ASSEMBLY

### ⚠ CAUTION

The wheels and handle do not provide adequate clearance, stability or support for pulling the unit up and down stairs or steps. The unit must be lifted, or pushed up a ramp.

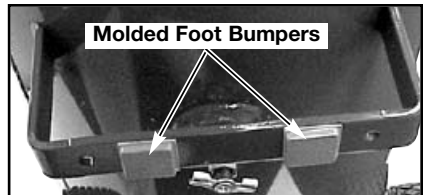
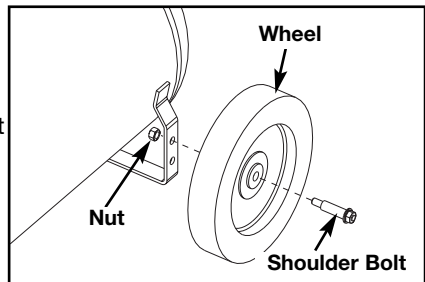
1. Submerge handle grip into warm soapy water to make installation easier. Remove handle grip from soapy water and slide onto handle.
2. Slide handle through holes in compressor saddle onto tabs. Secure with screws, one on each side.



### ⚠ CAUTION

It will be necessary to brace or support one side of the outfit when installing the wheels because the compressor will have a tendency to tip over.

3. Install one shoulder bolt and one nut for each wheel. Tighten securely. The outfit will sit level if the wheels are properly installed.
4. Clean and dry underside of air tank leg opposite wheels. Remove the protective strip from the adhesive backed molded foot bumpers. Attach the foot bumpers to the bottom of leg on each end. Press firmly into place.



## INSTALLATION

### HOW TO SET UP YOUR UNIT

#### Location of the Air Compressor

Locate the air compressor in a clean, dry and well ventilated area. The air compressor should be located at least 12" away from the wall or other obstructions that will interfere with the flow of air. The air compressor pump and shroud are designed to allow for proper cooling. The ventilation openings on the compressor are necessary to maintain proper operating temperature. Do not place rags or other containers on or near these openings.

## GROUNDING INSTRUCTIONS

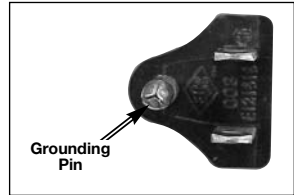
**⚠ WARNING RISK OF ELECTRICAL SHOCK.** In the event of a short circuit, grounding reduces the risk of shock by providing an escape wire for the electric current. This air compressor must be properly grounded.

The portable air compressor is equipped with a cord having a grounding wire with an appropriate grounding plug (see illustrations). The plug must be used with an outlet that has been installed and grounded in accordance with all local codes and ordinances.

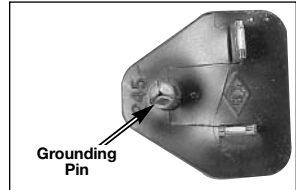
1. The cord set and plug with this unit contains a grounding pin. This plug **MUST** be used with a grounded outlet.

**IMPORTANT:** The outlet being used must be installed and grounded in accordance with all local codes and ordinances.

2. Make sure the outlet being used has the same configuration as the grounded plug. **DO NOT USE AN ADAPTER.**



**120 Volt U.S.A. Plug**



**240 Volt U.S.A. Plug**

**CAUTION** When used outside of the United States of America a conversion kit may be required for local use.

3. Inspect the plug and cord before each use. Do not use if there are signs of damage.
4. If these grounding instructions are not completely understood, or if in doubt as to whether the compressor is properly grounded, have the installation checked by a qualified electrician.

**⚠ DANGER IMPROPER GROUNDING CAN RESULT IN ELECTRICAL SHOCK.**

**Do not modify the plug provided. If it does not fit the available outlet, a correct outlet should be installed by a qualified electrician.**

**Repairs to the cord set or plug **MUST** be made by a qualified electrician.**

### Extension Cords

Using extension cords is not recommended. The use of extension cords will cause voltage to drop resulting in power loss to the motor and overheating. Instead of using an extension cord, increase the working reach of the air hose by attaching another length of hose to its end. Attach additional lengths of hose as needed.

If an extension cord must be used, be sure it is:

- a 3-wire extension cord that has a 3-blade grounding plug, and a 3-slot receptacle that will accept the plug on the product
- in good condition
- no longer than 50 feet
- 14 gauge (AWG) or larger. (Wire size increases as gauge number decreases. 12 AWG, 10 AWG, and 8 AWG may also be used. **DO NOT USE 16 OR 18 AWG.**)

## Voltage and Circuit Protection

Refer to the Parts Manual for the voltage and minimum branch circuit requirements.

Certain air compressors can be operated on a 15 amp circuit if the following conditions are met.

1. Voltage supply through branch circuit is 15 amps.
2. Circuit is not used to supply any other electrical needs (lights, appliances, etc.).
3. Extension cords comply with specifications.
4. Circuit is equipped with a 15 amp circuit breaker or 15 amp time delay fuse. **NOTE:** If compressor is connected to a circuit protected by fuses, use only time delay fuses marked "D" for Canada and "T" for US.

If any of the above conditions cannot be met, or if operation of the compressor repeatedly causes interruption of the power, it may be necessary to operate it from a 20 amp circuit. It is not necessary to change the cord set.

# OPERATION

## Know Your Air Compressor

READ THIS OWNER'S MANUAL AND SAFETY RULES BEFORE OPERATING YOUR UNIT. Compare the illustrations with your unit to familiarize yourself with the location of various controls and adjustments. Save this manual for future reference.

### Description of Operation

Become familiar with these controls before operating the unit.

**On/Auto/Off Switch:** Turn this switch ON to provide automatic power to the pressure switch and OFF to remove power at the end of each use.

**Pressure Switch:** The pressure switch automatically starts the motor when the air tank pressure drops below the factory set "cut-in" pressure. It stops the motor when the air tank pressure reaches the factory set "cut-out" pressure.

**Safety Valve:** If the pressure switch does not shut off the air compressor at its "cut-out" pressure setting, the safety valve will protect against high pressure by "popping out" at its factory set pressure (slightly higher than the pressure switch "cut-out" setting).

**Outlet Pressure Gauge:** The outlet pressure gauge indicates the air pressure available at the outlet side of the regulator. This pressure is controlled by the regulator and is always less than or equal to the tank pressure.

**Tank Pressure Gauge:** The tank pressure gauge indicates the reserve air pressure in the tank.

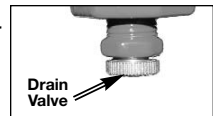
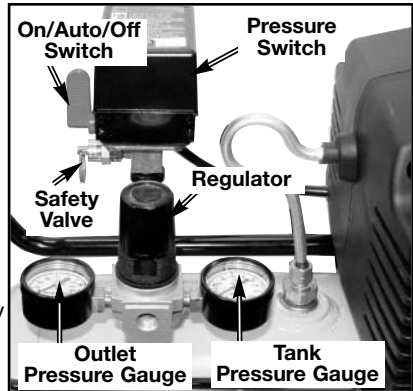
**Regulator:** Controls the air pressure shown on the outlet pressure gauge. Pull the knob out and turn clockwise to increase pressure and counterclockwise to decrease pressure. When the desired pressure is reached push knob in to lock in place.

**Drain Valve:** The drain valve is located at the base of the air tank and is used to drain condensation at the end of each use.

**Cooling System (not shown):** This compressor contains an advanced design cooling system. At the heart of this cooling system is an engineered fan. It is perfectly normal for this fan to blow air through the vent holes in large amounts. You know that the cooling system is working when air is being expelled.

**Air Compressor Pump (not shown):** Compresses air into the air tank. Working air is not available until the compressor has raised the air tank pressure above that required at the air outlet.

**Check Valve:** When the air compressor is operating, the check valve is "open", allowing compressed air to enter the air tank. When the air compressor reaches "cut-out" pressure, the check valve "closes", allowing air pressure to remain inside the air tank.



# How to Use Your Unit

## How to Stop:

1. Set the On/Auto/Off lever to "OFF".

## Before Starting

### Break-in Procedure

**CAUTION** Risk of Unsafe Operation. Serious damage may result if the following break-in instructions are not closely followed.

This procedure is required **before** the air compressor is put into service and when the check valve or a complete compressor pump has been replaced.

1. Make sure the On/Auto/Off lever is in the "Off" position.

**NOTE:** Pull coupler back until it clicks to prevent air from escaping through the quick connect.

2. Plug the power cord into the correct branch circuit receptacle. (Refer to Voltage and Circuit Protection paragraph in the Installation section of this manual.)
3. Open the drain valve fully to permit air to escape and prevent air pressure build up in the air tank during the break-in period.
4. Move the On/Auto/Off lever to "On/Auto" position. The compressor will start.
5. Run the compressor for 15 minutes. Make sure the drain valve is open and there is minimal air pressure build-up in tank.
6. After 15 minutes, close the drain valve. The air receiver will fill to "cut-out" pressure and the motor will stop.

The compressor is now ready for use.



Open Drain Valve



Closed Drain Valve

## Before Each Start-Up:

1. Place On/Auto/Off lever to "OFF".
2. Pull regulator knob out, turn counterclockwise until it stops. Push knob in to lock in place.
3. Attach hose and accessories. **NOTE:** The hose or accessory will require a quick connect plug if the air outlet is equipped with a quick connect socket.

**WARNING** Too much air pressure causes a hazardous risk of bursting. Check the manufacturer's maximum pressure rating for air tools and accessories. The regulator outlet pressure must never exceed the maximum pressure rating.

## How to Start:

1. Turn the On/Auto/Off lever to “AUTO” and allow tank pressure to build. Motor will stop when tank pressure reaches “cut-out” pressure.
2. Pull the regulator knob out and turn clockwise to increase pressure. When the desired pressure is reached push knob in to lock in place. The compressor is ready for use.

**NOTE:** Always operate the air compressor in well-ventilated areas free of gasoline or other combustible vapors. If the compressor is being used to operate a sprayer DO NOT place near the spray area.

## MAINTENANCE

### Customer Responsibilities

	Before each use	Daily or after each use
Check Safety Valve	●	
Drain Tank		●

### To Check Safety Valve

**▲ WARNING** If the safety valve does not work properly, over-pressurization may occur, causing air tank rupture or an explosion. Before starting compressor, pull the ring on the safety valve to make sure that the safety valve operates freely. If the valve is stuck or does not operate smoothly, it must be replaced with the same type of valve.

### To Drain Tank

1. Set the On/Auto/Off lever to “OFF”.
2. Pull the regulator knob out and turn counter-clockwise to set the outlet pressure to zero.
3. Remove the air tool or accessory.
4. Pull ring on safety valve allowing air to bleed from the tank until tank pressure is approximately 20 psi. Release safety valve ring.
5. Drain water from air tank by opening drain valve on bottom of tank.

**▲ WARNING** Water will condense in the air tank. If not drained, water will corrode and weaken the air tank causing a risk of air tank rupture.

6. After the water has been drained, close the drain valve. The air compressor can now be stored.

**NOTE:** If drain valve is plugged, release all air pressure. The valve can then be removed, cleaned, then reinstalled.



**Open Drain Valve**



**Closed Drain Valve**

## SERVICE AND ADJUSTMENTS

**⚠ WARNING** Unit cycles automatically when power is on. When doing Maintenance, you may be exposed to voltage sources, compressed air or moving parts. Personal injuries can occur. Before performing any Maintenance or repair, unplug the compressor and bleed off all air pressure.

---

**ALL MAINTENANCE AND REPAIR OPERATIONS NOT LISTED MUST BE PERFORMED BY TRAINED SERVICE TECHNICIAN.**

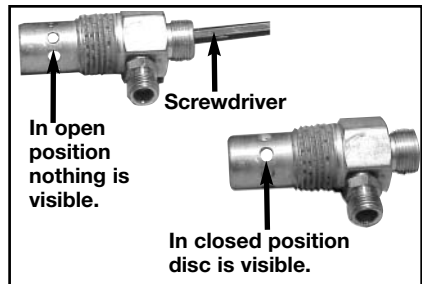
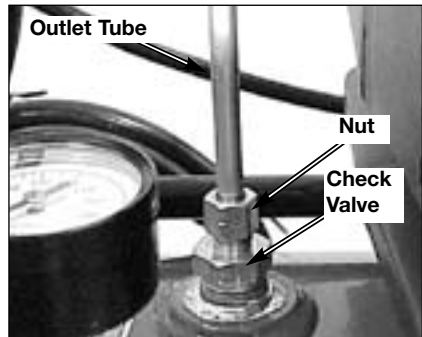
---

**⚠ WARNING** Before servicing:

- Unplug or disconnect electrical supply to the air compressor.
- Bleed tank of pressure.
- Allow the air compressor to cool.

### To Replace or Clean Check Valve

1. Release all air pressure from air tank. See “To Drain Tank” in the Maintenance section.
2. Unplug outfit.
3. Loosen the nut on the outlet tube and move the outlet tube to the side.
4. Unscrew the check valve (turn counterclockwise) using a socket wrench.
5. Make sure the valve disc moves freely inside the check valve and the spring holds the disc in the upper, closed position. The check valve may be cleaned with a solvent, such as paint and varnish remover.
6. Apply sealant to the check valve threads. Reinstall the check valve (turn clockwise).
7. Replace the outlet tube and tighten the nut.
8. Perform the Break-in Procedure. See “Break-in Procedure” in the Operation section.

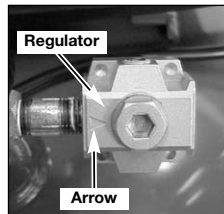


## To Replace Regulator

1. Release all air pressure from air tank. See "To Drain Tank" in the Maintenance section.
2. Unplug outfit.
3. Using an adjustable wrench remove the gauges and hose from the regulator.
4. Remove the regulator.
5. Apply pipe sealant tape to the nipple on the standpipe.
6. Assemble the regulator and orient as shown.

**NOTE:** Arrow indicates flow of air. Make sure it is pointing in the direction of air flow.

7. Reapply pipe sealant to gauges and hose.
8. Reassemble gauges and hose. Orient gauges to read correctly. Tighten hose with wrench.



## STORAGE

Before you store the air compressor, make sure you do the following:

1. Review the "Maintenance" section on the preceding pages and perform scheduled maintenance as necessary.
2. Set the On/Auto/Off lever to "OFF".
3. Turn the regulator counterclockwise and set the outlet pressure to zero.
4. Remove the air tool or accessory.
5. Pull ring on safety valve allowing air to bleed from the tank until tank pressure is approximately 20 psi. Release safety valve ring.
6. Drain water from air tank by opening drain valve on bottom of tank.

**▲ WARNING** **Water will condense in the air tank. If not drained, water will corrode and weaken the air tank causing a risk of air tank rupture.**

7. After the water has been drained, close the drain or drain valve.

**NOTE:** If drain valve is plugged, release all air pressure. The valve can then be removed, cleaned, then reinstalled.

8. Protect the electrical cord and air hose from damage (such as being stepped on or run over). Wind them loosely around the compressor handle. (If so equipped)
9. Store the air compressor in a clean and dry location.



## TROUBLESHOOTING

**⚠ WARNING** Performing repairs may expose voltage sources, moving parts or compressed air sources, moving parts or compressed air sources. Personal injury may occur. Prior to attempting any repairs, unplug the air compressor and bleed off all air tank air pressure.

PROBLEM	CAUSE	CORRECTION
Excessive tank pressure - safety valve pops off.	Pressure switch does not shut off motor when compressor reaches “cut-out” pressure.	Move On/Auto/Off lever to the “OFF” position, if the outfit does not shut off contact a Trained Service Technician.
	Pressure switch “cut-out” too high.	Contact a Trained Service Technician.
Air leaks at fittings.	Tube fittings are not tight enough.	Tighten fittings where air can be heard escaping. Check fittings with soapy water solution. <b>Do Not Overtighten.</b>
Air leaks at pressure switch release valve. (if equipped)	Defective pressure switch release valve.	Contact a Trained Service Technician.
Air leaks in air tank or at air tank welds.	Defective air tank.	Air tank must be replaced. Do not repair the leak. <b>⚠ WARNING</b> <b>Do not drill into, weld or otherwise modify air tank or it will weaken. The tank can rupture or explode.</b>
Air leaks between head and valve plate.	Leaking seal.	Contact a Trained Service Technician.
Air leak from safety valve.	Possible defect in safety valve.	Operate safety valve manually by pulling on ring. If valve still leaks, it should be replaced.
Knocking Noise.	Possible defect in safety valve.	Operate safety valve manually by pulling on ring. If valve still leaks, it should be replaced.

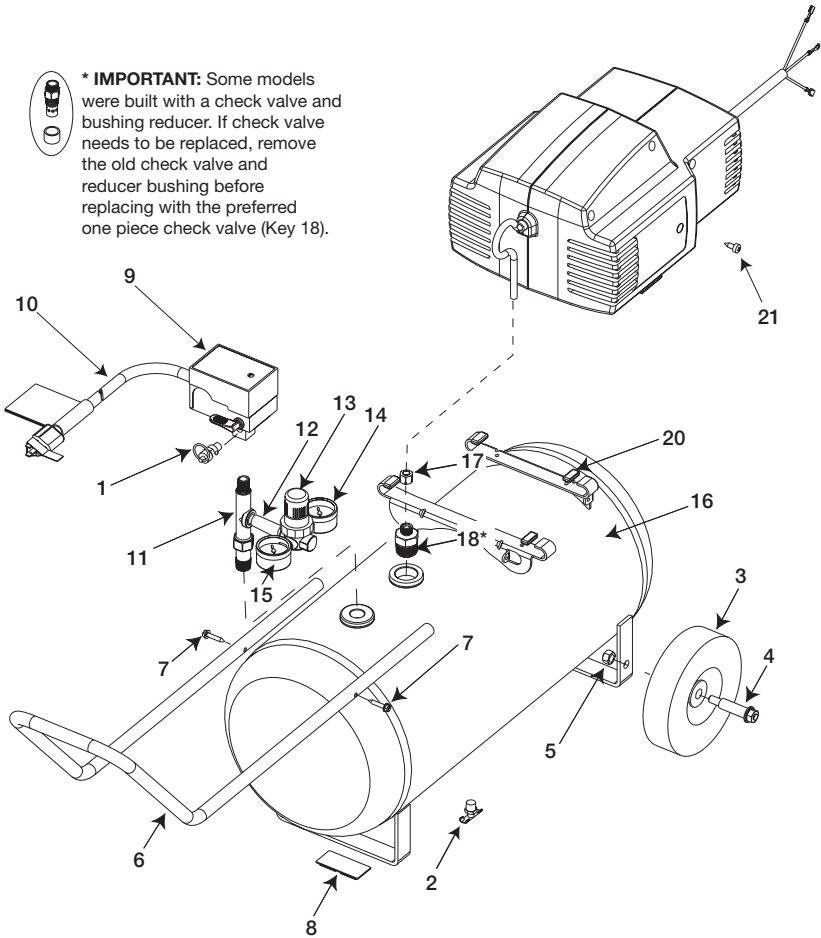
PROBLEM	CAUSE	CORRECTION
Pressure reading on the regulated pressure gauge drops when an accessory is used.	It is normal for “some” pressure drop to occur.	<p>If there is an excessive amount of pressure drop when the accessory is used, adjust the regulator following the instructions in the “Description of Operation” paragraph in the “Operation Section.</p> <p><b>NOTE:</b> Adjust the regulated pressure under flow conditions (while accessory is being used).</p>
Compressor is not supplying enough air to operate accessories.	<p>Prolonged excessive use of air.</p> <p>Compressor is not large enough for air requirement.</p> <p>Hole in hose.</p> <p>Check valve restricted.</p> <p>Air leaks.</p>	<p>Decrease amount of air usage.</p> <p>Check the accessory air requirement. If it is higher than the SCFM or pressure supplied by your air compressor, you need a larger compressor.</p> <p>Check and replace if required.</p> <p>Remove and clean, or replace.</p> <p>Tighten fittings.</p>
Regulator knob has continuous air leak.	Damaged regulator	Replace
Regulator will not shut off air outlet.	Damaged regulator	Replace



# AIR COMPRESSOR DIAGRAM



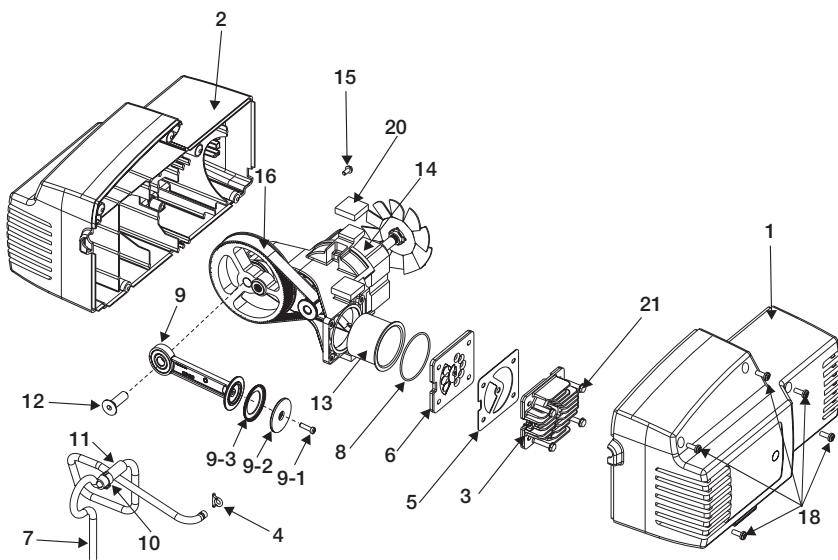
**\* IMPORTANT:** Some models were built with a check valve and bushing reducer. If check valve needs to be replaced, remove the old check valve and reducer bushing before replacing with the preferred one piece check valve (Key 18).



## PARTS LIST

<b><u>Key No</u></b>	<b><u>Part Number</u></b>	<b><u>Description</u></b>
1	TIA-4150	Safety Valve
2	D23000	Drain Valve
3	CAC-4299	Wheel 6" (2 used)
4	CAC-60	Shoulder Bolt (2 used)
5	SSF-8080-ZN	Nut Hex 3/8-16 (2 used)
6	AC-0345	Handle
7	SSF-612	Screw #10-16 x 1(2 used)
8	AC-0364	Molded Foot Bumper
9	Z-D27227	Pressure Switch
10	D26615	Cord Assembly
11	D28999	Manifold
12	D30198	Nipple 1/4 1/4 NPT x 2.50
13	D27256	Regulator
14	Z-AC-0009-1	Gauge - Right Hand
15	Z-AC-0010-1	Gauge - Left Hand
16	Z-D25895	Tank
17	SSP-473	Nut Sleeve
18	D29264	Check Valve
20	#CAC-1254	Isolator (4 used)
21	#SSF-621	Screw 1/4-14 x .625 (2 used)

# AIR COMPRESSOR PUMP DIAGRAM



# PARTS LIST

<u>Key No</u>	<u>Part Number</u>	<u>Description</u>
1	A02377	Shroud, Left
2	A02381	Shroud, Right
3	D25877	Cylinder Head
4	# CAC-1212	Tube Seal
5	# CAC-1199	Gasket Head
6	Z-D29777	Valve Plate Assembly
7	DAC-269	Outlet Tube
8	# SSG-8169	O-ring
9	+ -----	Rod Assembly
9-1	• D21127	Screw, #10-24
9-2	• -----	Connecting Rod Cap
9-3	-----	Pre-Formed Compression Ring
10	CAC-1206-1	Clamp
11	AC-0206	Isolator Tube
12	x SSF-3147	Screw 3/8-16 x .375
13	• + -----	Cylinder Sleeve
14	Z-D23584	Endbell Assembly
15	x SUDL-9-1	Screw 8-32x .375/.344
16	AC-0815	Timing Belt
18	x SSF-3156	Screw, 10-9x.50 Plastite (5 used)
20	# D25731	Pump Isolator (5 used)
21	x SSF-995	Screw #10-24 x .875 (4 used)

**Not Shown**

A00765	Motor Cord
Z-D23701	Brush

**Kits Available**

# K-0387	Isolator Kit
+ KK-4964	Connecting Rod Kit
x KK-4929	Fastener Kit
• D30324	Ring Kit

# LIMITED WARRANTY

**DELTA MACHINERY** warrants to the original purchaser that all products covered under this warranty are free from defects in material and workmanship. Products covered under this warranty include air compressors, air tools, service parts, pressure washers, and generators, which have the following warranty periods:

**3 YEARS** - Limited warranty on 2-stage oil-free air compressor pumps that operate at 1725 RPM.

**2 YEARS** - Limited warranty on oil-lubricated air compressor pumps.

**1 YEAR** - Limited warranty on all other air compressor components.

**2 YEARS** - Limited warranty on electric generator alternators.

**1 YEAR** - Limited warranty on other generator components.

**2 YEARS** - Limited warranty on pneumatic air tools as described in **Delta** general catalog.

**1 YEAR** - Limited warranty on pressure washers used in consumer applications (i.e. personal residential household usage only).

**90 DAY** - Pressure washers used for commercial applications (income producing) and service parts.

**Delta** will repair or replace, at **Delta's** option, products or components which have failed within the warranty period. Service will be scheduled according to the normal work flow and business hours at the service center location, and the availability of replacement parts. All decisions of **Delta** Machinery with regard to this limited warranty shall be final.

This warranty gives you specific legal rights, and you may also have other rights which vary from state to state.

## RESPONSIBILITY OF ORIGINAL PURCHASER (initial User):

- To process a warranty claim on this product, DO NOT return it to the retailer. The product must be evaluated by a **Delta** Authorized Warranty Service Center. For the location of the nearest **Delta** Authorized Warranty Service Center call 1-866-422-4286, 24 hours a day, 7 days a week.
- Retain original cash register sales receipt as proof of purchase for warranty work.
- Use reasonable care in the operation and maintenance of the product as described in the Owners Manual(s).
- Deliver or ship the product to the nearest **Delta** Authorized Warranty Service Center. Freight costs, if any, must be paid by the purchaser.
- Air compressors with 60 and 80 gallon tanks will be inspected at the site of installation. Contact the nearest **Delta** Authorized Warranty Service Center that provides on-site service calls, for service call arrangements.
- If the purchaser does not receive satisfactory results from the **Delta** Authorized Warranty Service Center, the purchaser should contact **Delta**.

## THIS WARRANTY DOES NOT COVER:

- Merchandise sold as reconditioned, used as rental equipment, and floor or display models.
- Merchandise that has become damaged or inoperative because of ordinary wear, misuse\*, cold, heat, rain, excessive humidity, freeze damage, use of improper chemicals, negligence, accident, failure to operate the product in accordance with the instructions provided in the Owners Manual(s) supplied with the product, improper maintenance, the use of accessories or attachments not recommended by **Delta**, or unauthorized repair or alterations.
- \* An air compressor that pumps air more than the recommended duty cycle during a one hour period may be considered misuse.
- Repair and transportation costs of merchandise determined not to be defective.
- Costs associated with assembly, required oil, adjustments or other installation and start-up costs.
- Expendable parts or accessories supplied with the product which are expected to become inoperative or unuseable after a reasonable period of use, including but not limited to sanding disks or pads, saw and shear blades, grinding stones, springs, chisels, nozzles, o-rings, air jets, washers and similar accessories.
- Merchandise sold by **Delta** which has been manufactured by and identified as the product of another company, such as gasoline engines. The product manufacturer's warranty, if any, will apply.
- **ANY INCIDENTAL, INDIRECT OR CONSEQUENTIAL LOSS, DAMAGE, OR EXPENSE THAT MAY RESULT FROM ANY DEFECT, FAILURE OR MALFUNCTION OF THE PRODUCT IS NOT COVERED BY THIS WARRANTY.** Some states do not allow the exclusion or limitation of incidental or consequential damages, so the above limitation or exclusion may not apply to you.
- **IMPLIED WARRANTIES, INCLUDING THOSE OF MERCHANTABILITY OR FITNESS FOR A PARTICULAR PURPOSE, ARE LIMITED TO ONE YEAR FROM THE DATE OF ORIGINAL PURCHASE.** Some states do not allow limitations on how long an implied warranty lasts, so the above limitations may not apply to you.



Jackson, TN USA  
1-866-422-4286