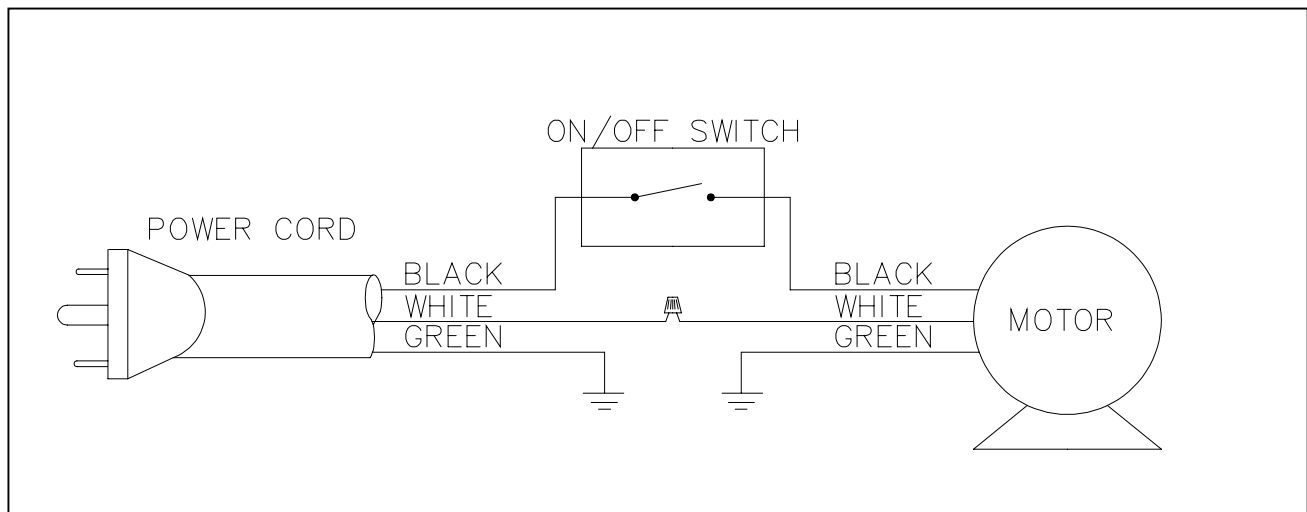
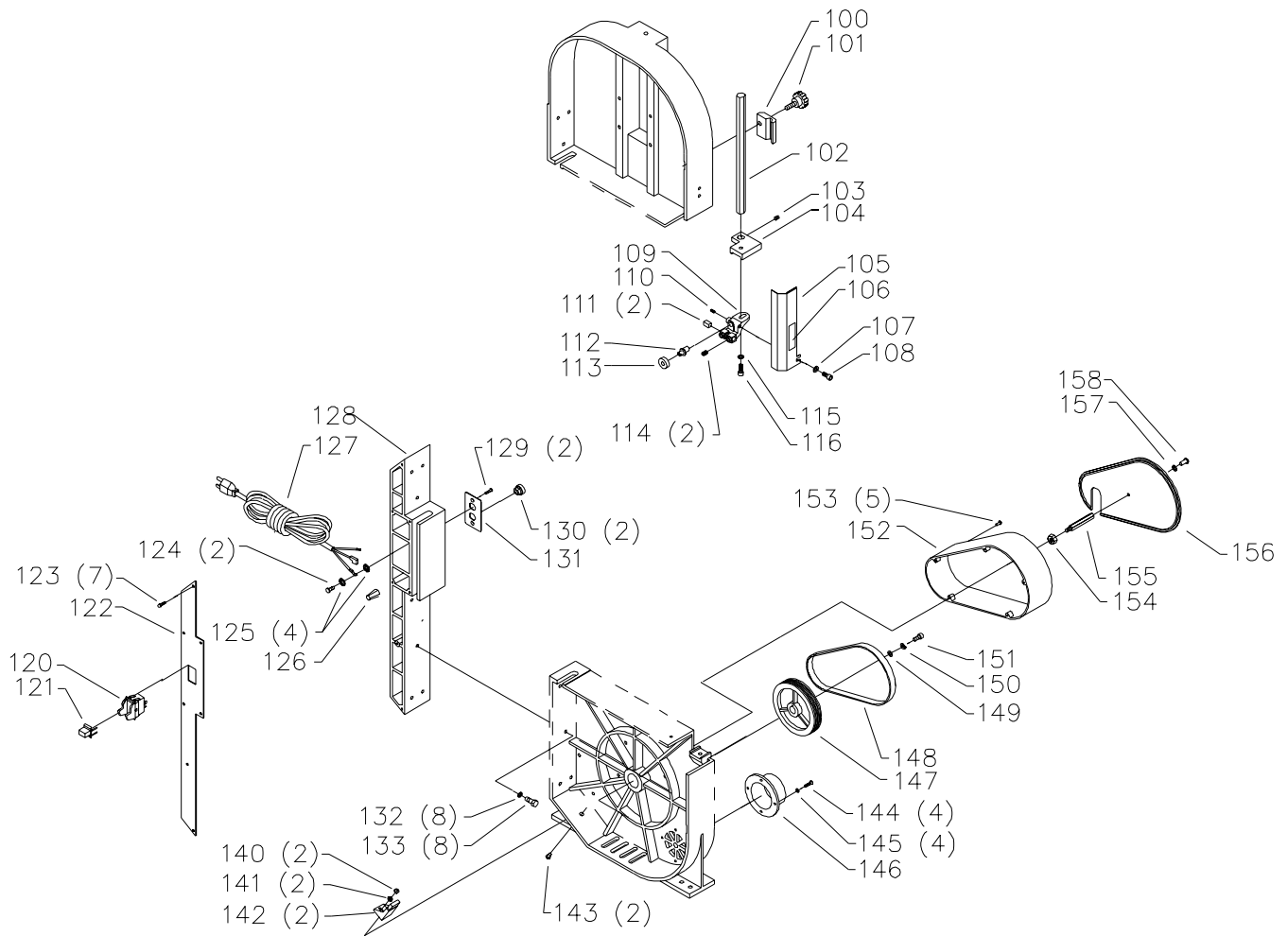


# REPLACEMENT PARTS

Ref. No.	Part No.	Description	Ref. No.	Part No.	Description
1	909519	SCREW	48	1243526	M8.4 FLAT WASHER
2	1346618	M8.4 NYLON WASHER	49	1313286	TRUNNION
3	1346619	RETAINER	50	904-01-033-1451	FLAT WASHER
4	1346620	SPRING	51	901-01-060-0642	3/8-16 X 1" HEX HD SCREW
5	1340087	TENSION LABEL	52	1346664	SPECIAL BOLT
6	1346623	KNOB	55	1246056	M6 X 12MM HEX SOC HD SCREW
7	1344333	M8 WING NUT	56	1246140	M6.4 FLAT WASHER
8	1243526	M8.4 FLAT WASHER	57	1346628	BRACKET
9	909520	UPPER FRAME	58	1243339	M6 X 8MM HEX SOC SET SCREW
10	1346676	M8 NUT	59	1346629	GUIDE
12	1346621	POINTER	60	1243339	M6 X 8MM HEX SOC SET SCREW
15	1243398	M8 HEX NUT	61	1346631	SHAFT
16	1346615	TENSION BLOCK	62	1346630	BALL BEARING
17	1346614	GUIDE	65	909522	LOWER FRAME
18	1243336	M6 X 20MM HEX SOC HD SCREW	66	1246145	INT RET RING
19	422-29-139-0002	BALL BEARING	67	422-29-139-0002	BALL BEARING
20	1346611	SUPPORT	68	1346643	SHAFT
21	1346612	M8 X 40MM DOWEL PIN	69	1311071	KEY
22	1346613	M8 SQUARE NUT	70	422-29-139-0002	BALL BEARING
23	1346610	UPPER WHEEL	71	1346644	SPACER
24	1346609	TIRE	72	1341441	M4 X 12MM HEX SOC HD SCREW
25	1346608	SHAFT	73	1346639	BRACKET
26	1346668	BRACKET	74	1346625	CLAMP BRACKET
26A	1243379	M6 X 10MM HEX SOC HD SCREW	74A	1246177	M4 X 6MM CHEESE HD SCREW
26B	1246140	M6.4 FLAT WASHER	75	1346642	BOTTOM WHEEL
27	1243407	EXT RET RING	76	1346609	TIRE
27A	422-29-139-0002	BALL BEARING	77	1343584	M6 FENDER WASHER
28	1246127	M6 X 30MM HEX SOC SET SCREW	78	1243520	M6.1 LOCK WASHER
29	909538	INSERT	79	1246004	M6 X 16MM HEX SOC HD SCREW
30	909521	TABLE	80	OPTIONAL	BLADE
31	1243456	M6 HEX NUT	81	1346637	STUD
32	1246090	M6 X 30MM CHEESE HD SCREW	82	902-01-120-1216	#10-24 HEX NUT
32A	1246140	M6.4 FLAT WASHER	83	904-03-030-1795	3/16" EXT TOOTH WASHER
33	1313281	M6 WING NUT	84	1346636	KNOB
34	1346657	LEVER ASSY	85	1243501	M4 X 10MM CHEESE HD SCREW
35	1346658	SPACER	86	909524	BOTTOM COVER
36	1346659	SPRING	87	1340085	WARNING LABEL
37	1346660	TRUNNION	88	905726	NAMEPLATE
38	904-01-033-1451	FLAT WASHER	89	909523	TOP COVER
39	1246123	M8 X 70MM HEX SOC HD SCREW	90	1346603	BLADE CHART
40	1243526	M8.4 FLAT WASHER	90A	1340086	BLADE CHART
41	1346662	BRACKET, INCL:	91	1346653	BASE
42	1310016	5MM DRIVE SCREW	92	1243526	M8.4 FLAT WASHER
43	1346663	SCALE	93	1246034	M8 X 20MM HEX HD SCREW
44	901-01-060-0642	3/8-16 X 1" HEX HD SCREW	94	1346654	FRONT BASE
45	1346661	POINTER	97	432-07-101-0004	5MM HEX WRENCH
46	1246154	M4 X 16MM CHEESE HD SCREW	98	428-06-101-0002	3MM HEX WRENCH
47	1246054	M8 X 20MM HEX SOC HD SCREW	99	428-07-101-0002	6MM HEX WRENCH
			99A	909510	HARDWARE PKG





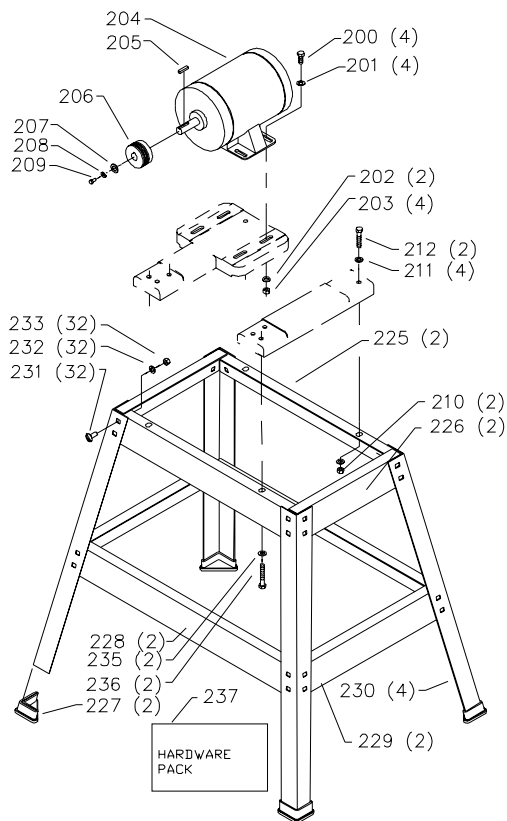
**Ref.**

<b>No.</b>	<b>Part No.</b>	<b>Description</b>
100	909525	CLAMP PLATE
101	1346624	KNOB
102	1346626	ROD
103	1243339	M6 X 8MM HEX SOC SET SCREW
104	909526	PLATE
105	909527	GUARD
106	1343567	WARNING LABEL
107	1246140	M6.4 FLAT WASHER
108	1246056	M6 X 12MM HEX SOC HD SCREW
109	1346628	BRACKET
110	1243339	M6 X 8MM HEX SOC SET SCREW
111	1346629	GUIDE
112	1346631	SHAFT
113	1346630	BALL BEARING
114	1243339	M6 X 8MM HEX SOC SET SCREW
115	1246140	M6.4 FLAT WASHER
116	1246004	M6 X 16MM HEX SOC HD SCREW
120	438-01-017-0184	SWITCH, INCL:
121	400-06-068-0002	SWITCH KEY
122	909528	COVER
123	1243501	M4 X 10MM CHEESE HD SCREW
124	1243501	M4 X 10MM CHEESE HD SCREW
125	1310210	M4.3 EXT TOOTH WASHER
126	1320175	CONNECTOR
127	1346665	POWER CORD

**Ref.**

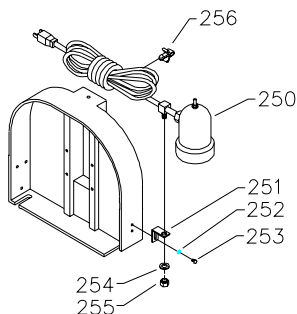
<b>No.</b>	<b>Part No.</b>	<b>Description</b>
128	1346634	NECK
129	1342455	M5 X 10MM PAN HD SCREW
130	1320131	STRAIN RELIEF
131	1345029	REAR SWITCH PLATE
132	1243526	M8.4 FLAT WASHER
133	1246034	M8 X 20MM HEX HD SCREW
140	1243395	M5 HEX NUT
141	1246102	M5.3 FLAT WASHER
142	1345036	BRUSH
143	1246047	M5 X 16MM CHEESE HD SCREW
144	1243501	M4 X 10MM CHEESE HD SCREW
145	904-01-010-1602	3/16" FLAT WASHER
146	1346646	DUST SPOUT
147	1346647	DRIVEN PULLEY
148	1346648	BELT
149	1246140	M6.4 FLAT WASHER
150	1243520	M6.1 LOCK WASHER
151	1246004	M6 X 16MM HEX SOC HD SCREW
152	1346649	BELT COVER
153	1246154	M4 X 16MM CHEESE HD SCREW
154	1243456	M6 HEX NUT
155	1346650	STUD
156	1346651	COVER
157	1246140	M6.4 FLAT WASHER
158	1246067	M6 X 16MM CHEESE HD SCREW

# REPLACEMENT PARTS



Ref. No.	Part No.	Description
200	1246034	M8 X 20MM HEX HD SCREW
201	1243526	M8.4 FLAT WASHER
202	1243526	M8.4 FLAT WASHER
203	1243398	M8 HEX NUT
204	1346601	MOTOR
205	1311071	KEY
206	1346652	DRIVE PULLEY
207	1343584	M6 FENDER WASHER
208	1243520	M6.1 LOCK WASHER
209	1349481	M6 X 20MM HEX SOC HD SCREW
210	1243398	M8 HEX NUT
211	1243526	M8.4 FLAT WASHER
212	1246192	M8 X 45MM HEX HD SCREW
*	1346674	STAND, CONST OF:
225	909529	BRACKET 20.6"
226	909530	BRACKET 12.4"
227	427-99-048-0001	PLASTIC FOOT
228	909531	BRACKET 24.9"
229	909532	BRACKET 16.7"
230	909533	LEG
231	1349177	M8 X 16MM CARRIAGE HD SCREW
232	904-01-010-1605	3/8" FLAT WASHER
233	1243398	M8 HEX NUT
235	1243526	M8.4 FLAT WASHER
236	1246192	M8 X 45MM HEX HD SCREW
237	909536	HARDWARE PKG (STAND)

\* NOT SHOWN ASSEMBLED



Ref. No.	Part No.	Description
250	25-858	BANDSAW LAMP, INCL:
251	1346668	BRACKET
252	1246140	M6.4 FLAT WASHER
253	1243379	M6 X 10MM HEX SOC HD SCREW
254	1346667	M10 FLAT WASHER
255	1341996	M10 LOCK NUT
256	1346666	CLIP

## STANDARD SAFETY EQUIPMENT

In order to promote tool safety, Delta Machinery strictly enforces the policy of repairing or replacing any damaged or missing standard safety equipment on machines presented to Delta Authorized Service Centers for service/repairs. Any product that is presented to a Delta Authorized Service Centers for repairs which contains missing or damaged standard safety equipment will have that equipment repaired or replaced and the customer will be charged for any such service/repairs. Customers can avoid such charges only if the missing safety component is supplied to the service center at the time of repair.

*This parts list is provided to aid in obtaining service parts. Copies of the instruction and maintenance literature can be obtained through the Delta Technical Publications Department or through your service outlet.*