

# REPLACEMENT PARTS

REF. NO.	PART NUMBER	DESCRIPTION	REF. NO.	PART NUMBER	DESCRIPTION
*	78-918	FENCE ASSY, INCL;	39	1350290	1/4" FLAT WASHER
1	1350127	NAMEPLATE ( <i>Early Models Only</i> )	40	1350284	1/4-20 HEX NUT
2	1350093	LEFT BOARD KIT ( <i>See Service Note A</i> )	41A	1350144	TUBE ASSY 28" FENCE SYSTEM, INCL;
3	1350092	RIGHT BOARD KIT ( <i>See Service Note A</i> )	42	79-056	SCALE ( <i>See Service Note B</i> )
4	1352033	#8-32 X 3/8" ROUND HD SCR	41B	1350107	TUBE ASSY 40" FENCE SYSTEM, INCL;
5	1352034	#8 FLAT WASHER	42	79-056	SCALE ( <i>See Service Note B</i> )
6	1350017	CURSOR	41C	1350130	TUBE ASSY 52" FENCE SYSTEM, INCL;
7	1350077	FLAG DECAL	42	1350136	SCALE ( <i>See Service Note B</i> )
8	1350078	NAMEPLATE	46	1350291	3/8-16 HEX NUT
9	1350277	1/4-20 X 1 3/4" HEX HD SCR	47	1350288	3/8" LOCK WASHER
10	1350278	SPECIAL SCREW	48	1350286	FLAT WASHER
11	1350103	CAM HANDLE ASSY	49	1352011	3/8-16 X 1 1/2" FLAT HD SCR
12	1350018	KNOB	50	1350291	3/8-16 HEX NUT ( <i>See Service Note C</i> )
13	1350101	CAM FOOT ASSY	51	1350288	3/8" LOCK WASHER ( <i>See Service Note C</i> )
14	1350279	3/8-16 LOCK NUT	52	1350286	FLAT WASHER ( <i>See Service Note C</i> )
15	1350280	1/4-20 LOCK NUT	53	1350124	SWITCH BRACKET ( <i>See Service Note C</i> )
17	1350051	GLIDE PAD	54	1350292	3/8-16 X 1" HEX HD SCR ( <i>See Service Note C</i> )
18	1350492	3/8-16 X 5/16" HEX SOC SET SCR	55	1350293	1/4" LOCK WASHER
19	1350155	DECAL	56	1350294	1/4-20 X 3/4" HEX HD SCR
20	1350019	GLIDE PAD	58	1350295	1/4-20 X 1/2" HEX HD SCR
33	1350285	3/8-24 x 1 1/4" HEX HD SCR	59	1350293	1/4" LOCK WASHER
34	1350286	FLAT WASHER	60A	1350143	FRONT RAIL 28" FENCE SYSTEM
35	1350288	3/8" LOCK WASHER	60B	1350109	FRONT RAIL 40" FENCE SYSTEM
36	1350287	3/8-24 HEX NUT	60C	1350132	FRONT RAIL 52" FENCE SYSTEM
37A	1350142	REAR RAIL 28" FENCE SYSTEM	61	1350284	1/4-20 HEX NUT
37B	1350108	REAR RAIL 40" FENCE SYSTEM	62	1350290	1/4" FLAT WASHER
37C	1350131	REAR RAIL 52" FENCE SYSTEM	63	1350289	1/4-20 X 1 1/2" FLAT HD SCR
38	1350289	1/4-20 X 1 1/2" FLAT HD SCR	*	78-952	STEEL SUPPORT LEGS, CONST OF;

\* NOT SHOWN ASSEMBLED

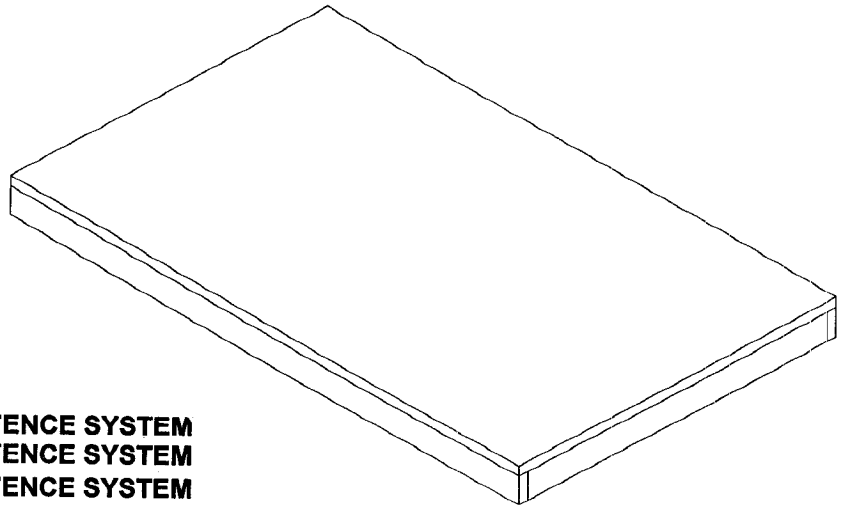
## SERVICE NOTES:

*A - Kit includes; Borad, Laminate, T-Edging and Hardware.*

*B - Scale is provided oversize and must be cut to proper length.*

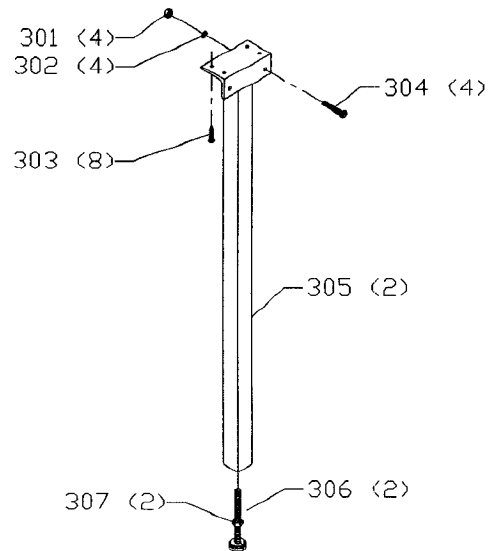
*C - For use with 10" Contractor Saw II and 10" Contractor Saw with plastic switch actuator only.*

**AVAILABLE AS ACCESSORIES**

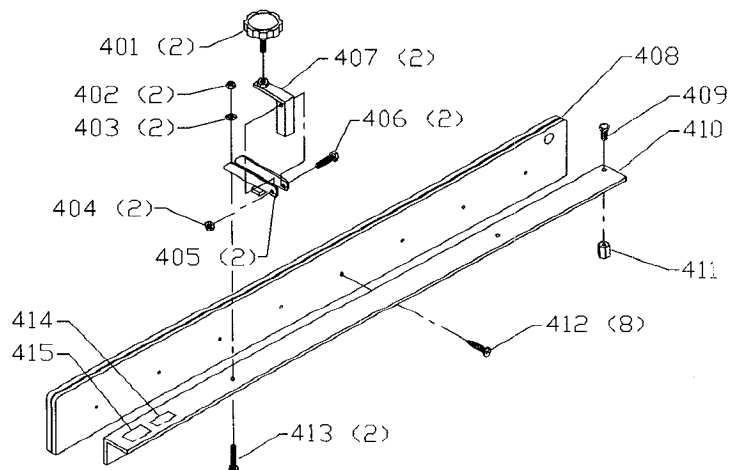


**78-929 RIGHT EXTENSION TABLE - 28" FENCE SYSTEM**  
**78-934 RIGHT EXTENSION TABLE - 40" FENCE SYSTEM**  
**78-938 RIGHT EXTENSION TABLE - 52" FENCE SYSTEM**

**78-952 STEEL SUPPORT LEGS (SET OF 2)**



**78-941 36" T-SQUARE<sup>®</sup> AUXILIARY FENCE**



# REPLACEMENT PARTS AVAILABLE AS ACCESSORIES

<u>REF. NO.</u>	<u>PART NUMBER</u>	<u>DESCRIPTION</u>
*	78-952	SUPPORT LEGS, CONST OF:
301	1350284	1/4-20 HEX NUT
302	1350283	1/4" FLAT WASHER
303	1350439	#08 X 5/8" PAN HD SCR
304	1350289	1/4-20 X 1 1/2" FLAT HD SCR
305	1350110	LEG ASSY
306	1350194	LEVELING ASSY
307	1350291	3/8-16 HEX NUT
*	78-941	36" T-SQUARE® AUX FENCE, CONST OF:
401	1350066	KNOB
402	1350280	1/4-20 LOCK NUT
403	1350283	1/4" FLAT WASHER
404	1350280	1/4-20 LOCK NUT
405	1350178	BRACKET ASSY
406	1350303	1/4-20 X 1 1/2" HEX HD SCR
407	1350180	CLAMP ASSY
408	1350301	BOARD ASSY
409	1350295	1/4-20 X 1/2" HEX HD SCR
410	1350181	FENCE SUPPORT
411	1350298	1/4-20 X 7/8" SPECIAL NUT
412	1350300	#10 X 3/4" FLAT HD SCR
413	1350302	1/4-20 X 1" HEX HD SCR
414	1350077	FLAG DECAL
415	1350205	NAMEPLATE

\* NOT SHOWN ASSEMBLED

#### STANDARD SAFETY EQUIPMENT

In order to promote tool safety, Delta International Machinery Corp. strictly enforces the policy of repairing or replacing any damaged or missing standard safety equipment on machines presented to Delta Authorized Service Centers for service/repair. Any product which is presented to a Delta Authorized Service Center for repairs which contains missing or damaged standard safety equipment will have that equipment repaired or replaced and the customer will be charged for any such service/repairs. Customers can avoid such charges only if the missing safety component is supplied to the service center at the time of repair.

*This parts list is provided to aid in obtaining service parts. Copies of the instruction and maintenance literature can be obtained through the Delta Technical Publications Department or through your local service outlet.*