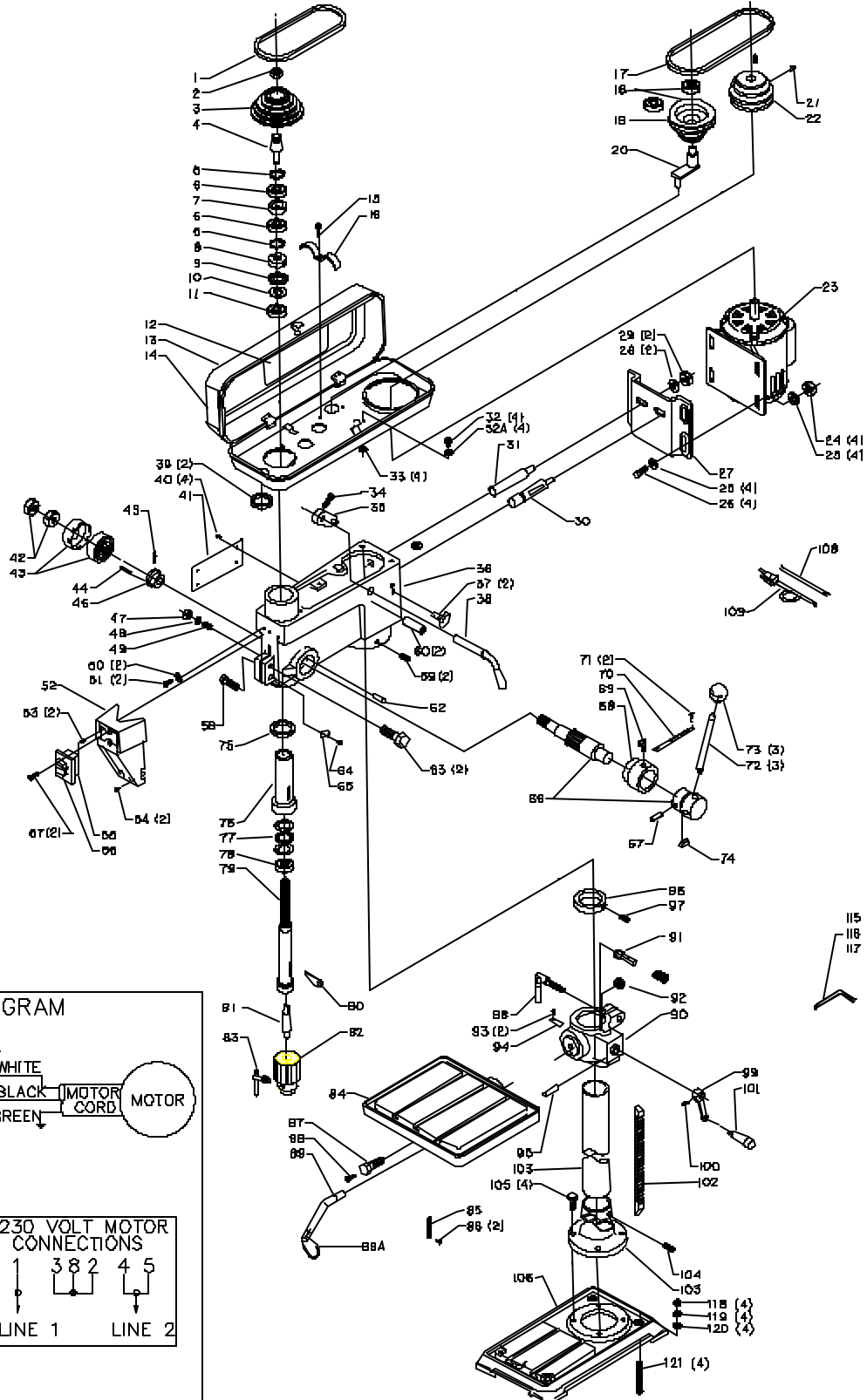




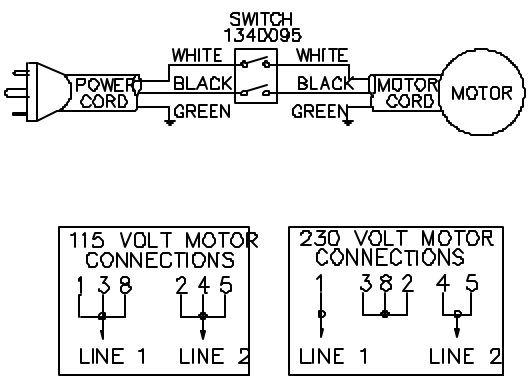
70-200 20" DRILL PRESS

DP-19

PART NO. 900616
Revised: 02/21/2001



WIRING DIAGRAM



REPLACEMENT PARTS

Ref.			Ref.		
No.	Part No.	Description	No.	Part No.	Description
1	1343343	V-Belt (A33)	58	1246053	M8 X 25Mm Hex Soc Hd Screw
2	1343303	Special Nut	59	1243494	M10 X 12Mm Hex Soc Set Screw
3	1343319	Spindle Pulley	60	1246075	M8 X 24Mm Spring Pin
4	1343316	Spindle Sleeve	62	1311035	Stop Pin
5	1343318	Retaining Ring	63	1243530	M8 X 30Mm Hex Soc Hd Screw
6	920-04-021-6559	Ball Bearing	64	1310016	5Mm Drive Screw
7	1343317	Collar	65	n 900435	Pointer, T2
8	1343315	Nut		1311042	Pointer, T1
9	1343314	Lock Washer	66	1343349	Pinion Assy, Incl:
10	1343313	Washer	67	1330410	M5 X 20Mm Spring Pin
11	920-04-010-7266	Ball Bearing	68	1311040	Stop Ring
12	1344910	Speed Chart	69	1310023	M8 X 17Mm Thumb Screw
13	n 901205	Cover, T2	70	n 901211	Scale, T2
	1343336	Cover, T1		1343334	Scale, T1
14	n 901338	Nameplate, T2	71	1310016	5Mm Drive Screw
	1340068	Nameplate, T1	72	1343327	Handle
15	1342455	M5 X 10Mm Pan Hd Screw	73	n 1346024	Grip, T2
16	n 1340719	Cord Clamp, T2		1311039	Grip, T1
	1343339	Cord Clamp, T1	74	1343302	Scale Guide
17	1343342	V-Belt (A29)	75	1343312	Rubber Washer
18	1312028	Ball Bearing	76	1343308	Quill
19	1343321	Idler Pulley	77	1343345	Thrust Bearing
20	1343322	Shaft	78	1245099	Ball Bearing
21	1330200	M8 X 12Mm Hex Soc Set Screw	79	1343309	Spindle
22	1343320	Motor Pulley	80	1311065	Shifter
23	1343347	Motor (1Ph, 1Hp)	81	1343341	Arbor
24	1243398	M8 Hex Nut	82	1312022	Chuck, Incl:
25	904-01-031-5655	Flat Washer	83	1313105	Chuck Key
26	1246034	M8 X 20Mm Hex Hd Screw	84	n 901188	Table Assy, Incl:, T2
27	n 1343311	Bracket, T2		1343332	Table Assy, Incl:, T1
	1343311	Bracket, T1	85	n 901209	Scale, T2
28	904-02-020-1705	1/2" Lock Washer		1343324	Scale, T1
29	1243476	M12 Hex Nut	86	1310016	5Mm Drive Screw
30	1343326	Rod	87	1343331	Special Bolt
31	1343328	Rod	88	1341235	M4 X 12Mm Cheese Hd Screw
32	1246130	M6 X 16Mm Cheese Hd Screw	89	1343353	Lock Pin
32A	1246140	M6.4 Flat Washer	89A	1343354	Wire
33	1343304	1/4" Rubber Washer	90	n 901203	Table Bracket Assy, Incl:, T2
34	1310105	M8 X 16Mm Hex Hd Screw		1343323	Table Bracket Assy, Incl:, T1
35	1311026	Eccentric	91	1311009	Worm Gear
36	n 901207	Head, T2	92	1311007	Pinion Gear
	1343333	Head, T1	93	1310016	5Mm Drive Screw
37	n 901206	Clamp Bolt, T2	94	1343301	Indicator
	1343305	Clamp Bolt, T1	95	1311008	Shaft
38	1343306	Handle	96	n 901204	Ring, T2
39	n 1343785	Strain Relief, T2		1343325	Ring, T1
	1343340	Strain Relief, T1	97	1243321	M6 X 10Mm Hex Soc Set Screw
40	1310016	5Mm Drive Screw	98	1311017	Handle
41	n 900417	Warning Label, T2	99	1343330	Crank Lever
	1343746	Warning Label, T1	100	1243321	M6 X 10Mm Hex Soc Set Screw
42	902-01-020-1227	1/2-20 Jam Nut	101	n 1343337	Handle, T2
43	1343348	Spring Assy		1343337	Handle, T1
44	1243498	M6 X 16Mm Spring Pin	102	1343310	Rack
45	1343352	M2.5 X 10Mm Spring Pin	103	1343350	Column Assy, Incl:
46	1343307	Spring Seat	104	1243494	M10 X 12Mm Hex Soc Set Screw
47	1243496	M10 Hex Nut	105	1330484	M12 X 45Mm Hex Hd Screw
48	904-02-020-1704	3/8" Lock Washer	106	1343329	Base
49	1311048	Set Screw	108	1343344	Motor Jumper
50	1320101	M5.3 Ext Tooth Washer	109	49-513	Power Cable
51	1310143	M5 X 8Mm Pan Hd Screw	115	428-06-101-0002	3Mm Hex Wrench
52	1343355	Switch Box	116	422-29-101-0002	4Mm Hex Wrench
53	1246130	M6 X 16Mm Cheese Hd Screw	117	432-07-101-0004	5Mm Hex Wrench
54	1246090	M6 X 30Mm Cheese Hd Screw	118	1243398	M8 Hex Nut
55	1340095	Switch	119	1246157	M8.1 Lock Washer
56	1340100	Switch Cover Assy	120	1344330	M8 Flat Washer
57	1342450	M4 X 26Mm Cheese Hd Screw	121	1344329	M8 X 125Mm Carriage Hd Screw

STANDARD SAFETY EQUIPMENT

In order to promote tool safety, Delta Machinery strictly enforces the policy of repairing or replacing any damaged or missing standard safety equipment on machines presented to Delta Authorized Service Centers for service/repairs. Any product that is presented to a Delta Authorized Service Centers for repairs which contains missing or damaged standard safety equipment will have that equipment repaired or replaced and the customer will be charged for any such service/repairs. Customers can avoid such charges only if the missing safety component is supplied to the service center at the time of repair.

This parts list is provided to aid in obtaining service parts. Copies of the instruction and maintenance literature can be obtained through the Delta Technical Publications Department or through your service outlet.